

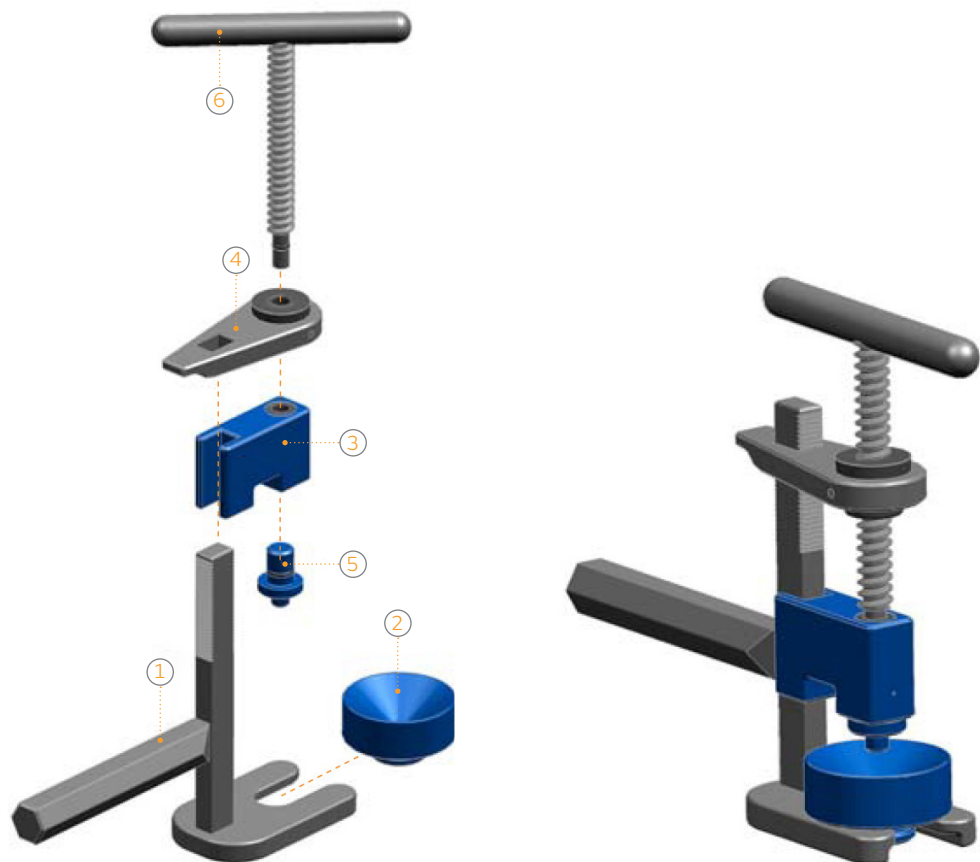
Disassembly, cleaning and sterilization instruction

Head/Liner Inserter for POLARCUP[®], OR30[®] and
BIRMINGHAM HIP[®] Dual Mobility Insert
SAP/Art. No. 75017089/21000505

This disassembly, cleaning and sterilization instruction is designed to supplement the instruction “Processing (cleaning, disinfection and sterilization) of instruments” Lit. No. 03389. Follow the steps within this document and follow additionally the instructions in Lit. No. 03389 where referenced.

Key

1. Stand
2. Base
3. Lengthwise guide
4. Pendulum
5. Buffer
6. Handle



Disassembly

The following applies in addition to or in place of the instruction:

- Remove the handle (6), pendulum (4), lengthwise guide (3) and buffer (5) from the stand (1)
- Remove the base (2) from the stand (1)
- Remove the lengthwise guide (3) with the buffer (5) from the handle (6)
- Remove the buffer (5) from the lengthwise guide (3)
- Rotate the handle (6) from the pendulum (4)
- Do not remove any of the O-rings!

Pre-cleaning

In accordance with the instruction “Processing (cleaning, disinfection and sterilization) of instruments” Lit. No. 03389.

The following applies in addition to or in place of the instruction:

- Manually preclean all cavities, threads, teeth and grooves with O-rings

Machine cleaning and disinfection

In accordance with the instruction “Processing (cleaning, disinfection and sterilization) of instruments” Lit. No. 03389.

The following applies in addition to or in place of the instruction:

- Please take special care to ensure that any cavities can be properly rinsed

Drying

In accordance with the instruction “Processing (cleaning, disinfection and sterilization) of instruments” Lit. No. 03389.

The following applies in addition to or in place of the instruction:

- All cavities and grooves with O-rings can also be dried with pressurized air

Checking and testing

In accordance with the instruction “Processing (cleaning, disinfection and sterilization) of instruments” Lit. No. 03389.

The following applies in addition to or in place of the instruction:

- Check the threads, teeth and O-rings for damage and faults

Servicing

In accordance with the instruction “Processing (cleaning, disinfection and sterilization) of instruments” Lit. No. 03389.

Sterilization

In accordance with the instruction “Processing (cleaning, disinfection and sterilization) of instruments” Lit. No. 03389.

The following applies in addition to or in place of the instruction:

- Device has to be sterilized disassembled

Assembly

The following applies in addition to or in place of the instruction:

- Assembly is in reverse to disassembly
- Press the base (2) into the stand (1) until it engages
- Press the buffer (5) into the lengthwise guide (3) until it engages
- Press the handle (6) into the lengthwise guide (3) until it engages

