

Smith+Nephew

ANTHEM[◇]

Total Knee System

Specifications Guide

Overview – ANTHEM[◇] Total Knee System



Anatomic implant fit

- The ANTHEM Knee System features an advanced (femoral and tibial) anatomic design to provide an anatomic implant fit prosthesis for a diverse patient population.^{1,2}
- By offering an optimized low profile femoral anterior flange and standard and narrow dimensions at the trochlea and condyles, the ANTHEM knee is designed to minimize incidence of overhang and to provide optimal sizes for a wide range of patients globally.^{2,3,4}

Predecessor technology

- Cruciate Retaining (CR) and Posterior Stabilized (PS) options are available and can be selected intraoperatively
- The ANTHEM knee is based upon trusted design pedigree incorporating clinically proven technology, such as the tibio-femoral articulation and patello-femoral function equivalent to the GENESIS[◇] II Total Knee System, which exhibits excellent survivorship at 15 years.^{1,5,6}
- The ANTHEM Femoral Component is compatible with GENESIS II CR Deep Flexion and PS High Flexion tibial inserts and tibial baseplates.

Overview – ORTHOMATCH[®] Universal Instrumentation

Promoting efficiency through intelligent design

- The ORTHOMATCH Universal Instrumentation system is designed to be used with ANTHEM[®] Knee System, to provide an easy to use system that may help facilitate reproducible surgical outcomes.
- The modular design can allow for a lean tray footprint.

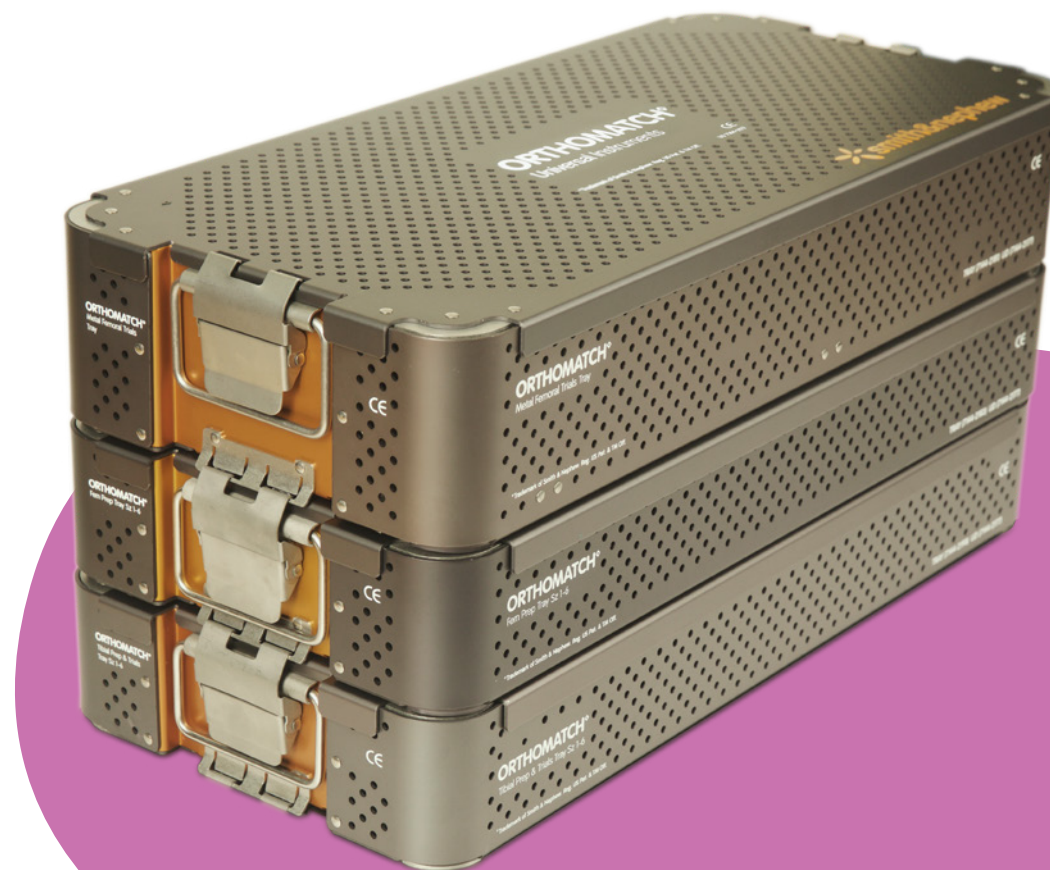


Table of Contents

System Specification Guide

ANTHEM [®] Femoral Component dimensions.....	6
ANTHEM Knee System Narrow and Standard overview	7
ANTHEM Tibial Baseplate dimensions	8
Patellar dimensions	8
Average slope for Articular Inserts	9
Degrees of hyperextension/rotation/constraint	10
Implant compatibility guide	11
ANTHEM CR and PS Femorals	11

Product Catalogue

ANTHEM Femoral Implants	16
ANTHEM Tibial Implants	18
Optional inserts for ANTHEM components.....	18
ANTHEM Tibial Baseplates.....	20
Patellae.....	20

Instrumentation Reference Guide

ORTHOMATCH [®] Femoral Prep Tray (Single Level)	24
ORTHOMATCH Tibial Prep and Trial Tray	26
ORTHOMATCH General Instrument and Patella Tray.....	28
ORTHOMATCH Metal Femoral Trial Tray	30
ORTHOMATCH Femoral/Tibial Outlier Tray Size 7-8	32
Miscellaneous and sample	34
Alternative Pins.....	34
Templates.....	34

Set Ordering Process/Bill of Material

ANTHEM PS	38
ANTHEM CR	38
ORTHOMATCH	39



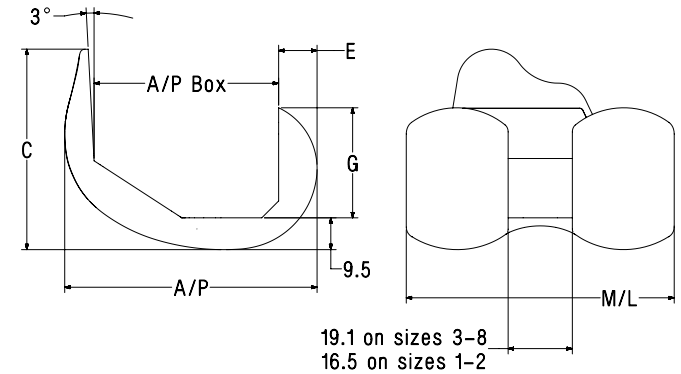
ANTHEM[◇] Total Knee System

System Specification Guide

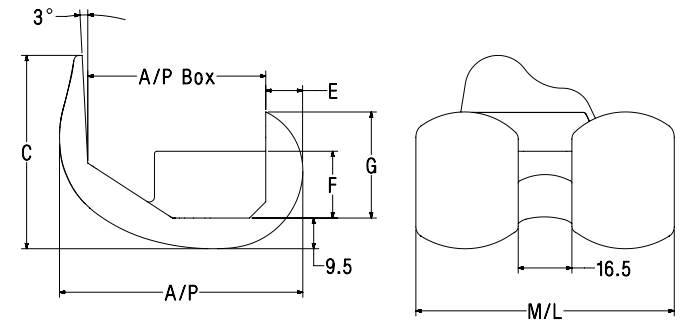
ANTHEM[◇] Femoral Component dimensions

Sizes	M/L (mm)	A/P (mm)	C (mm)	E (mm)	F (mm)	G (mm)	A/P BOX (mm)
1 N	54	47	47.3	9.5	16.9	23.5	30.5
2 N	56	51	50.0	9.5	17.1	24.4	34.3
3 N	58	54	50.5	9.5	18.0	25.3	38.1
3	62	54	50.5	9.5	18.0	25.3	38.1
4 N	62	58	52.0	9.5	19.6	26.2	41.7
4	66	58	52.0	9.5	19.6	26.2	41.7
5 N	66	61	54.0	9.5	19.8	27.0	45.0
5	70	61	54.0	9.5	19.8	27.0	45.0
6 N	69	65	56.0	9.5	20.6	28.6	48.3
6	73	65	56.0	9.5	20.6	28.6	48.3
7	77	70	58.2	11.5	20.2	31.1	50.3
8	80	75	59.5	11.5	20.5	32.6	54.9

ANTHEM CR
Femoral Component



ANTHEM PS
Femoral Component

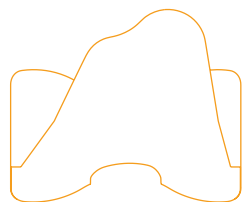


ANTHEM Total Knee System

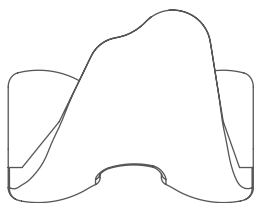
ANTHEM femoral components feature symmetric posterior condyles (equal thicknesses).

ANTHEM[◇] Knee System narrow and standard overview

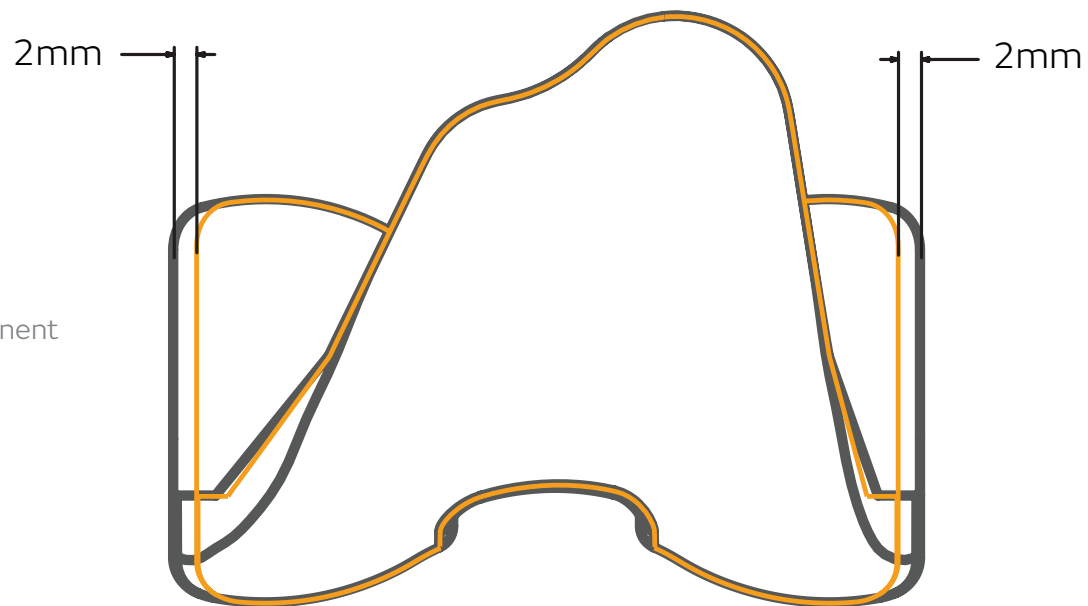
Size 4 Left Femoral



■ Narrow Femoral Component



■ Standard Femoral Component

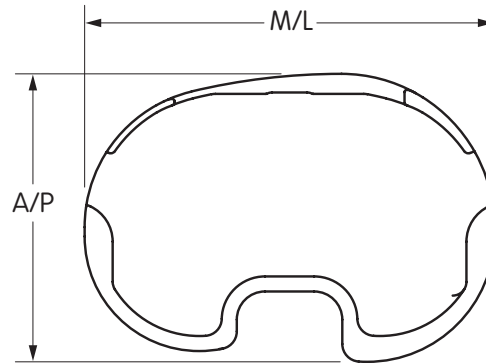


Not to scale. For illustration purposes only.

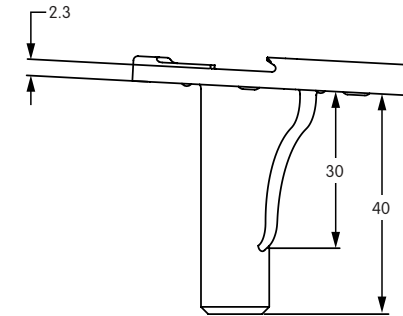
ANTHEM[◇] Tibial Baseplate dimensions

Sizes	A/P (mm)	M/L (mm)
1	42	60
2	45	64
3	48	68
4	50	71
5	52	74
6	54	77
7	56	81
8	59	85

Cemented Baseplate – Female tapered



Cemented Baseplate – Male tapered

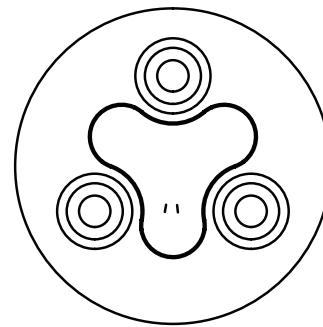


Note: 3° of baseplate slope plus approximately 4° of insert slope yields an effective 7° posterior slope with the final implant.

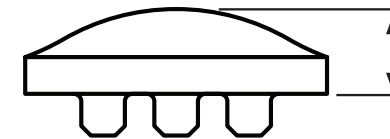
Patellar dimensions

	Thickness (mm)	Diameter (mm)			
Resurfacing	9*	26	29	32	35

*13mm including peg height.



Resurfacing

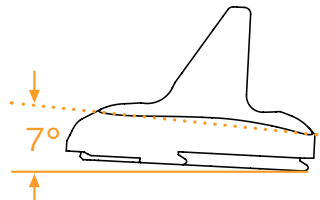


Note: The ANTHEM Knee is also compatible with GENESIS[°] II Resurfacing and Oval Resurfacing patellar components, however are not offered as standard with the system

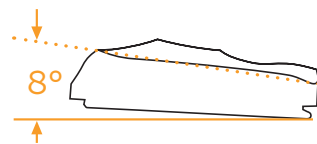
Average slope for Articular inserts

ANTHEM^o Conventional polyethylene UHMWPE (Sizes 1-8)

PSHF (Posterior Stabilized High Flex)



CRHF (Cruciate Retaining High Flex)



Degrees of hyperextension/rotation/constraint*

ANTHEM® PS Femoral with PSHF Inserts**	ANTHEM CR Femorals with CRHF**
15° of hyperextension ⁷	No constraint of hyperextension
No constraint on rotation	No constraint on rotation
No varus/valgus constraint	No varus/valgus constraint

* Constraint refers to post-to-box geometry.

** In patients with good femoral bone quality and when used in conjunction with a tibial stem.

Implant compatibility guide

Design	Femoral Component		Thickness (mm)					
	ANTHEM ^o CR	ANTHEM PS	9	11	13	15	18	
ANTHEM Posterior Stabilized High Flex (PSHF)	No	Yes – High Flex	9	11	13	15	18	
ANTHEM Cruciate Retaining High Flex (CRHF)	Yes - High Flex	No	9	11	13	15	18	
Compatibility with GENESIS^o II inserts								
Cruciate Retaining (CRHF)	Yes	No	9	11	13	15	18	
Posterior Stabilized (PSHF)	No	Yes	9	11	13	15	18 21 25	
Compatibility with GENESIS II Patella-Resurfacing								
GENESIS II Patella-Resurfacing	Yes	Yes	9	Available in sizes 26, 29, 32 and 35				

ANTHEM CR and PS Femorals

Insert Size	Femoral Size (Standard or Narrow)							
	1	2	3	4	5	6	7	8
1-2 PSHF and CRHF	X	X	X	X				
3-4 PSHF and CRHF		X	X	X	X	X		
5-6 PSHF and CRHF				X	X	X	X	X
7-8 PSHF and CRHF						X	X	X

Femoral implant compatibility guide

Design	Femoral Component		Sizes
	ANTHEM [®] CR	ANTHEM PS	
ANTHEM Tibial Baseplate	Yes	Yes	Sizes 1-8
GENESIS [®] II Tibial Baseplate - Male Tapered	Yes	Yes	Sizes 1-8
LEGION [®] RK Distal Femoral Wedges	No	No	N/A
LEGION RK Posterior Femoral Wedges	No	No	N/A
LEGION RK "L" Femoral Wedges	No	No	N/A
LEGION HK Distal Wedges	No	No	N/A
LEGION Press-Fit Stems	No	No	N/A
LEGION Cemented Stems	No	No	N/A
GENESIS II Cemented Stems	No	No	N/A
GENESIS II Revision Press-Fit Stems	No	No	N/A

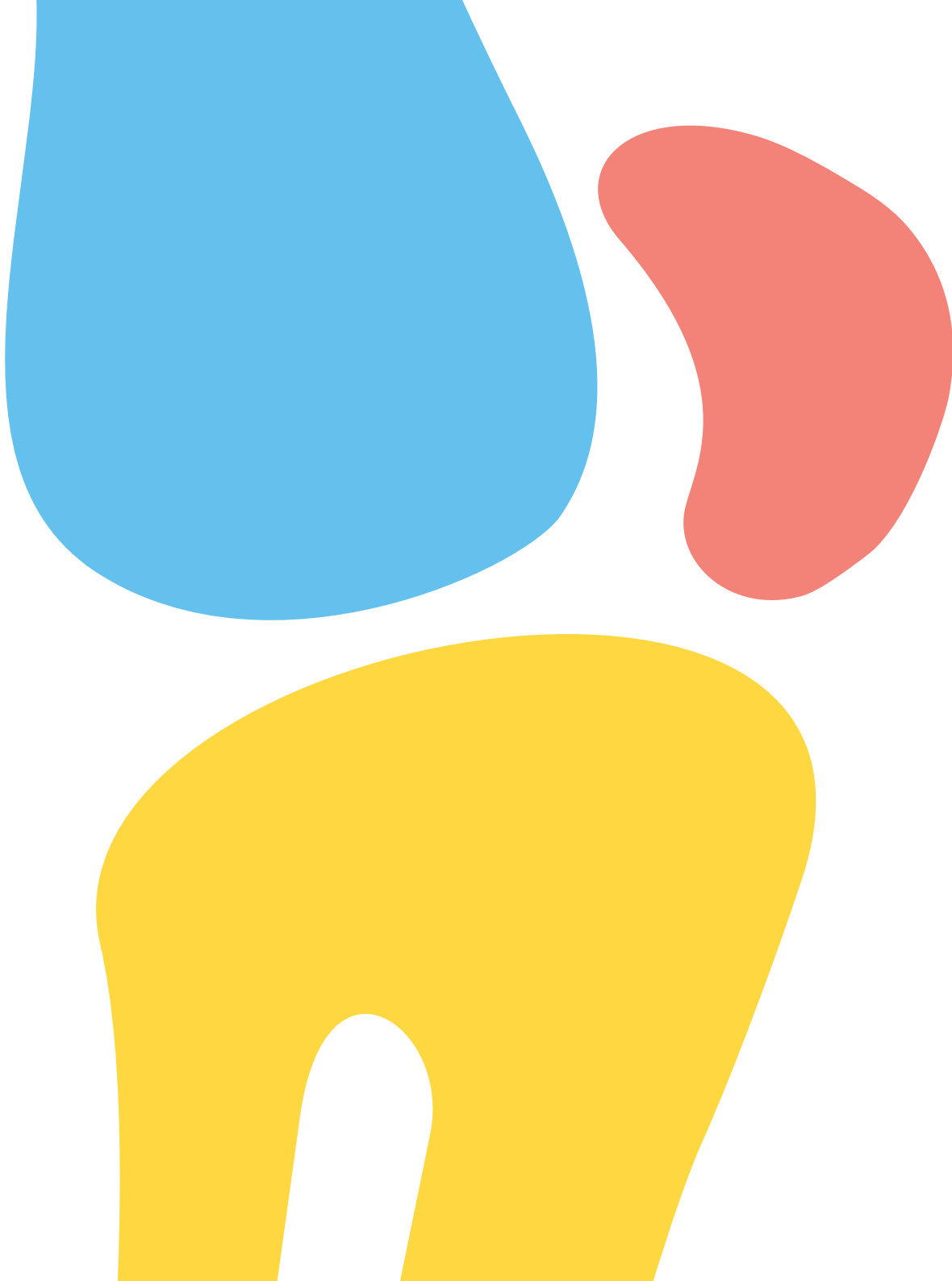
Tibial implant compatibility guide

Design	Tibial Component	Sizes
	ANTHEM	
LEGION HK Guided Motion Insert	No	N/A
LEGION Press-Fit Stems	No	N/A
LEGION Cemented Stems	No	N/A
LEGION Stem Extensions	No	N/A
LEGION Offset Couplers	No	N/A
LEGION Male-Male Offset Couplers	No	N/A
LEGION Hemi-Stepped Tibial Wedge	No	N/A
Legion Full-Stepped Tibial Wedge	No	N/A
LEGION RK/HK Hemi-Stepped Tibial Wedge	No	N/A
LEGION RK/HK Full-Stepped Tibial Wedge	No	N/A

Sawblade thickness

Sawblade for all ORTHOMATCH[®] Cutting Blocks

Cutting thickness and blade thickness should be 0.053" or 1.35mm



ANTHEM[®] Total Knee System

Product Catalogue

ANTHEM[◇] Femoral implants

ANTHEM PS Femorals (CoCr)

Narrow

Cat. No.	Description
71422801	ANTHEM Femoral PS CoCr Size 1 Left N
71422802	ANTHEM Femoral PS CoCr Size 2 Left N
71422803	ANTHEM Femoral PS CoCr Size 3 Left N
71422804	ANTHEM Femoral PS CoCr Size 4 Left N
71422805	ANTHEM Femoral PS CoCr Size 5 Left N
71422806	ANTHEM Femoral PS CoCr Size 6 Left N

Cat. No.	Description
71422821	ANTHEM Femoral PS CoCr Size 1 Right N
71422822	ANTHEM Femoral PS CoCr Size 2 Right N
71422823	ANTHEM Femoral PS CoCr Size 3 Right N
71422824	ANTHEM Femoral PS CoCr Size 4 Right N
71422825	ANTHEM Femoral PS CoCr Size 5 Right N
71422826	ANTHEM Femoral PS CoCr Size 6 Right N

Standard

Cat. No.	Description
71422813	ANTHEM Femoral PS CoCr Size 3 Left
71422814	ANTHEM Femoral PS CoCr Size 4 Left
71422815	ANTHEM Femoral PS CoCr Size 5 Left
71422816	ANTHEM Femoral PS CoCr Size 6 Left
71422817	ANTHEM Femoral PS CoCr Size 7 Left
71422818	ANTHEM Femoral PS CoCr Size 8 Left

Cat. No.	Description
71422833	ANTHEM Femoral PS CoCr Size 3 Right
71422834	ANTHEM Femoral PS CoCr Size 4 Right
71422835	ANTHEM Femoral PS CoCr Size 5 Right
71422836	ANTHEM Femoral PS CoCr Size 6 Right
71422837	ANTHEM Femoral PS CoCr Size 7 Right
71422838	ANTHEM Femoral PS CoCr Size 8 Right

ANTHEM^o CR Femorals (CoCr)

Narrow

Cat. No.	Description
71422921	ANTHEM Femoral CR CoCr Size 1 Left N
71422922	ANTHEM Femoral CR CoCr Size 2 Left N
71422923	ANTHEM Femoral CR CoCr Size 3 Left N
71422924	ANTHEM Femoral CR CoCr Size 4 Left N
71422925	ANTHEM Femoral CR CoCr Size 5 Left N
71422926	ANTHEM Femoral CR CoCr Size 6 Left N

Cat. No.	Description
71422941	ANTHEM Femoral CR CoCr Size 1 Right N
71422942	ANTHEM Femoral CR CoCr Size 2 Right N
71422943	ANTHEM Femoral CR CoCr Size 3 Right N
71422944	ANTHEM Femoral CR CoCr Size 4 Right N
71422945	ANTHEM Femoral CR CoCr Size 5 Right N
71422946	ANTHEM Femoral CR CoCr Size 6 Right N

Standard

Cat. No.	Description
71422933	ANTHEM Femoral CR CoCr Size 3 Left
71422934	ANTHEM Femoral CR CoCr Size 4 Left
71422935	ANTHEM Femoral CR CoCr Size 5 Left
71422936	ANTHEM Femoral CR CoCr Size 6 Left
71422937	ANTHEM Femoral CR CoCr Size 7 Left
71422938	ANTHEM Femoral CR CoCr Size 8 Left

Cat. No.	Description
71422953	ANTHEM Femoral CR CoCr Size 3 Right
71422954	ANTHEM Femoral CR CoCr Size 4 Right
71422955	ANTHEM Femoral CR CoCr Size 5 Right
71422956	ANTHEM Femoral CR CoCr Size 6 Right
71422957	ANTHEM Femoral CR CoCr Size 7 Right
71422958	ANTHEM Femoral CR CoCr Size 8 Right

ANTHEM[◇] Tibial Implants

ANTHEM PS High Flex Inserts (UHMWPE)

Cat. No.	Description	Cat. No.	Description
71422661	ANTHEM PS High Flex Insert Size 1-2 9mm	71422674	ANTHEM PS High Flex Insert Size 5-6 9mm
71422662	ANTHEM PS High Flex Insert Size 1-2 11mm	71422675	ANTHEM PS High Flex Insert Size 5-6 11mm
71422663	ANTHEM PS High Flex Insert Size 1-2 13mm	71422676	ANTHEM PS High Flex Insert Size 5-6 13mm
71422664	ANTHEM PS High Flex Insert Size 1-2 15mm	71422677	ANTHEM PS High Flex Insert Size 5-6 15mm
71422665	ANTHEM PS High Flex Insert Size 1-2 18mm	71422678	ANTHEM PS High Flex Insert Size 5-6 18mm
71422667	ANTHEM PS High Flex Insert Size 3-4 9mm	71422681	ANTHEM PS High Flex Insert Size 7-8 9mm
71422668	ANTHEM PS High Flex Insert Size 3-4 11mm	71422682	ANTHEM PS High Flex Insert Size 7-8 11mm
71422669	ANTHEM PS High Flex Insert Size 3-4 13mm	71422683	ANTHEM PS High Flex Insert Size 7-8 13mm
71422671	ANTHEM PS High Flex Insert Size 3-4 15mm	71422684	ANTHEM PS High Flex Insert Size 7-8 15mm
71422672	ANTHEM PS High Flex Insert Size 3-4 18mm	71422685	ANTHEM PS High Flex Insert Size 7-8 18mm

Optional inserts for ANTHEM components

PS High Flex Inserts

Thickness	Sizes 1-2 cat. no	Sizes 3-4 cat. no	Sizes 5-6 cat. no	Sizes 7-8 cat. no
21mm	71421506	71421513	71421520	71421527
25mm	71421507	71421514	71421521	71421528

ANTHEM^o CR High Flex Inserts (UHMWPE)

Cat. No.	Description
71422961	ANTHEM CR High Flex Insert Size 1-2 9mm
71422962	ANTHEM CR High Flex Insert Size 1-2 11mm
71422963	ANTHEM CR High Flex Insert Size 1-2 13mm
71422964	ANTHEM CR High Flex Insert Size 1-2 15mm
71422965	ANTHEM CR High Flex Insert Size 1-2 18mm
71422966	ANTHEM CR High Flex Insert Size 3-4 9mm
71422967	ANTHEM CR High Flex Insert Size 3-4 11mm
71422968	ANTHEM CR High Flex Insert Size 3-4 13mm
71422969	ANTHEM CR High Flex Insert Size 3-4 15mm
71422971	ANTHEM CR High Flex Insert Size 3-4 18mm

Cat. No.	Description
71422972	ANTHEM CR High Flex Insert Size 5-6 9mm
71422973	ANTHEM CR High Flex Insert Size 5-6 11mm
71422974	ANTHEM CR High Flex Insert Size 5-6 13mm
71422975	ANTHEM CR High Flex Insert Size 5-6 15mm
71422976	ANTHEM CR High Flex Insert Size 5-6 18mm
71422977	ANTHEM CR High Flex Insert Size 7-8 9mm
71422978	ANTHEM CR High Flex Insert Size 7-8 11mm
71422979	ANTHEM CR High Flex Insert Size 7-8 13mm
71422981	ANTHEM CR High Flex Insert Size 7-8 15mm
71422982	ANTHEM CR High Flex Insert Size 7-8 18mm

ANTHEM[◇] Tibial Baseplates

ANTHEM Tibial Baseplates (Ti)

Cat. No.	Description	Cat. No.	Description
71422691	ANTHEM Tibial Baseplate Size 1 Left	71422841	ANTHEM Tibial Baseplate Size 1 Right
71422692	ANTHEM Tibial Baseplate Size 2 Left	71422842	ANTHEM Tibial Baseplate Size 2 Right
71422693	ANTHEM Tibial Baseplate Size 3 Left	71422843	ANTHEM Tibial Baseplate Size 3 Right
71422694	ANTHEM Tibial Baseplate Size 4 Left	71422844	ANTHEM Tibial Baseplate Size 4 Right
71422695	ANTHEM Tibial Baseplate Size 5 Left	71422845	ANTHEM Tibial Baseplate Size 5 Right
71422696	ANTHEM Tibial Baseplate Size 6 Left	71422846	ANTHEM Tibial Baseplate Size 6 Right
71422697	ANTHEM Tibial Baseplate Size 7 Left	71422847	ANTHEM Tibial Baseplate Size 7 Right
71422698	ANTHEM Tibial Baseplate Size 8 Left	71422848	ANTHEM Tibial Baseplate Size 8 Right

Patellae

71422880 – GENESIS[◇] II RSF Patella (3 peg)

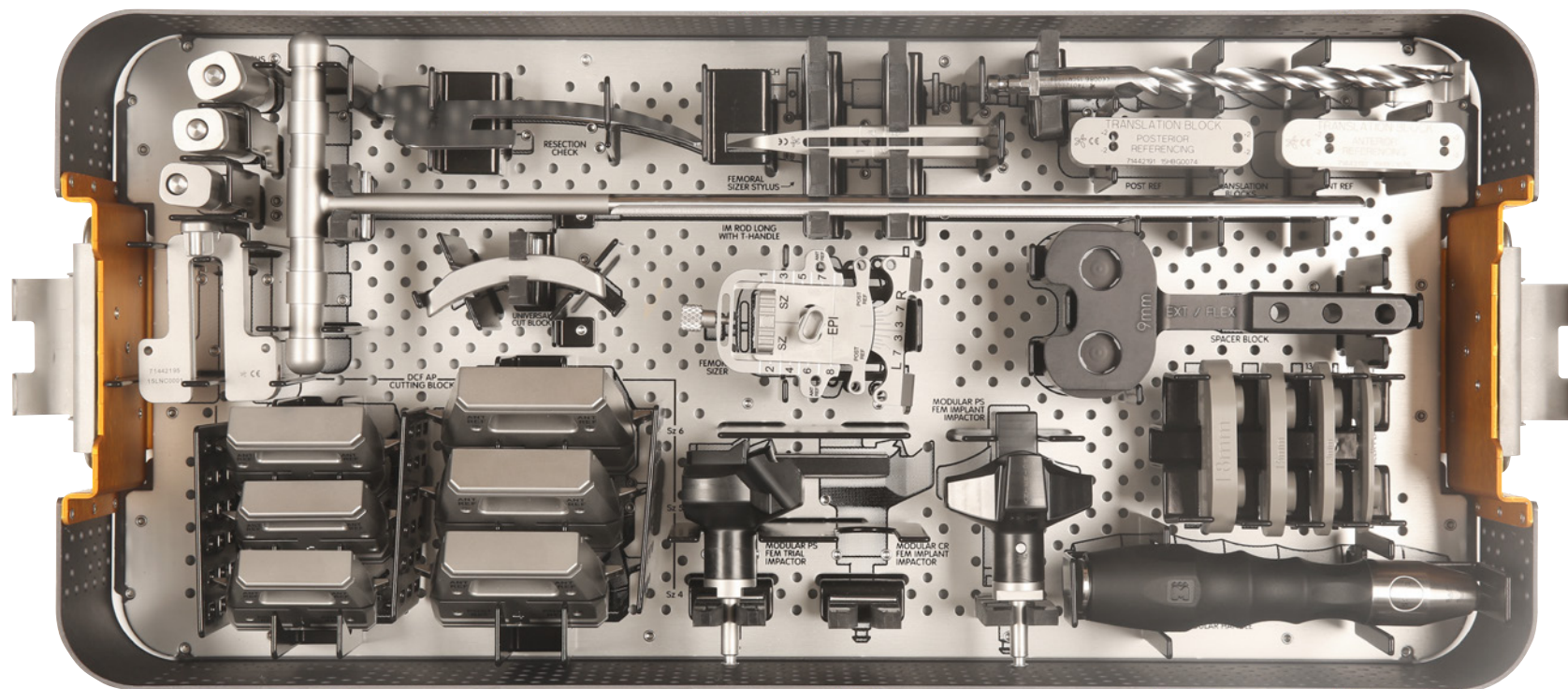
Cat. No.	Description
71420580	GENESIS II Resurfacing Pat 26mm
71420574	GENESIS II Resurfacing Pat 29mm
71420576	GENESIS II Resurfacing Pat 32mm
71420578	GENESIS II Resurfacing Pat 35mm

A large blue teardrop-shaped graphic is positioned in the upper left corner, and a large yellow teardrop-shaped graphic with a white notch at the bottom is positioned in the lower left corner. Both are solid colors and partially cut off by the left edge of the page.

ORTHOMATCH[◇] Universal Instrumentation

Instrumentation Reference Guide

ORTHOMATCH[◇] Femoral prep tray (single level)

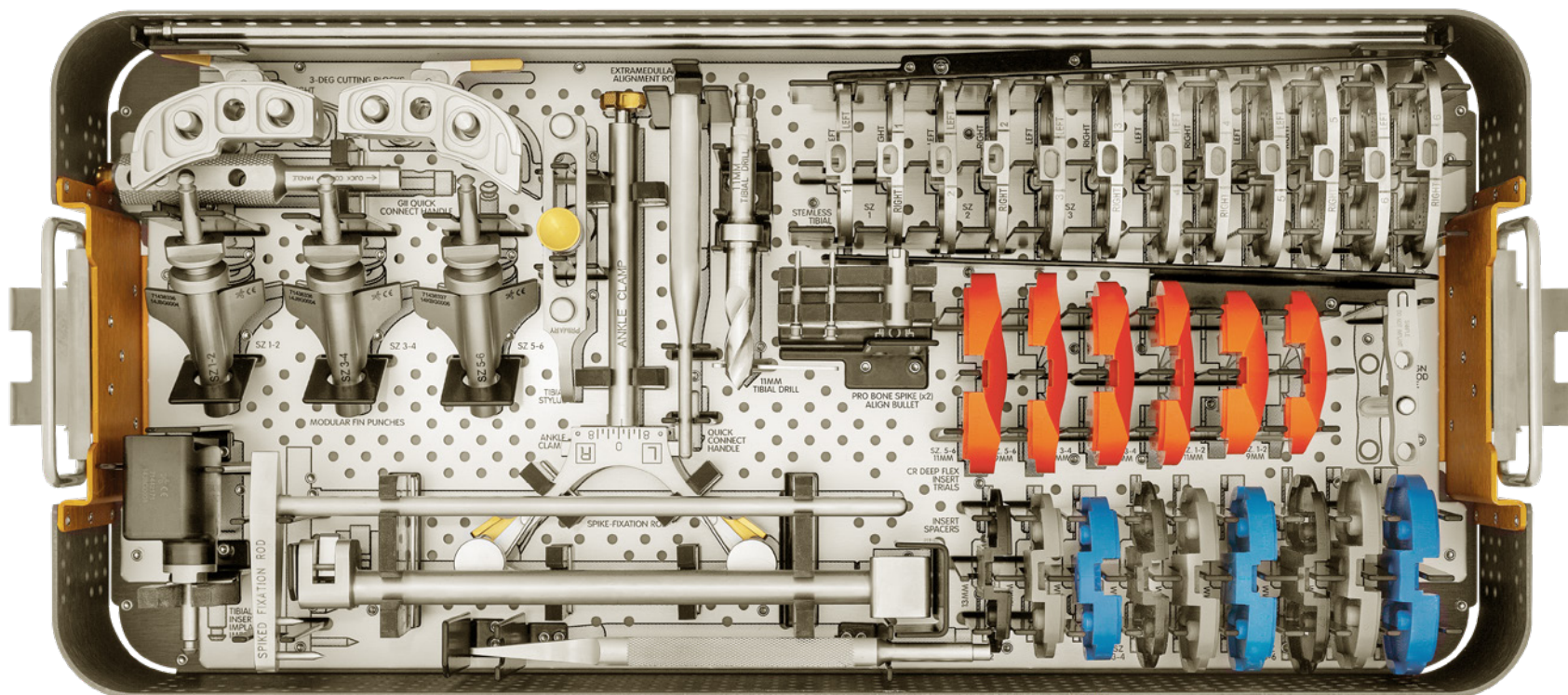


Cat. No.	Description
71442116	ORTHOMATCH® IM Rod Long with T-Handle
71442401	ORTHOMATCH DCF Align Guide
71442118	ORTHOMATCH Femoral 5° Valgus Bushing
71442119	ORTHOMATCH Femoral 6° Valgus Bushing
71442121	ORTHOMATCH Femoral 7° Valgus Bushing
71442109	ORTHOMATCH Universal Cut Block
71442194	ORTHOMATCH Femoral Sizer (2 Pieces)*
71442186	ORTHOMATCH Femoral Sizer Stylus
71442101	ORTHOMATCH DCF AP Cutting Block Size 1
71442102	ORTHOMATCH DCF AP Cutting Block Size 2
71442103	ORTHOMATCH DCF AP Cutting Block Size 3
71442104	ORTHOMATCH DCF AP Cutting Block Size 4
71442105	ORTHOMATCH DCF AP Cutting Block Size 5
71442106	ORTHOMATCH DCF AP Cutting Block Size 6
71442191	ORTHOMATCH Posterior Ref A/P Trsltn Guide

Cat. No.	Description
71442192	ORTHOMATCH Anterior Ref A/P Trsltn Guide
71442408	CR Lug Punch
71442161	ORTHOMATCH Modular Femoral Trial Impactor
71442193	ORTHOMATCH Modular PS Femoral Implant Impactor
71436399	ORTHOMATCH Modular CR Femoral Implant Impactor
74012111	JOURNEY® 9.5mm Stepped Drill
74012431	JOURNEY Resection Check
71441265	LEGION® Primary Spacer Block
71440288	GENESIS® II Spacer Plate, 11mm
71440290	GENESIS II Spacer Plate, 13mm
71440292	GENESIS II Spacer Plate, 15mm
71440294	GENESIS II Spacer Plate, 18mm
75007202	PLUS® TC Rev Solu Modular Hdl
71442183	ORTHOMATCH Femoral Prep Tray Size 1-6
71442177	ORTHOMATCH Universal Tray Lid

* Specific countries will have access to Sizers that offer either an Anterior or Posterior Referencing approach

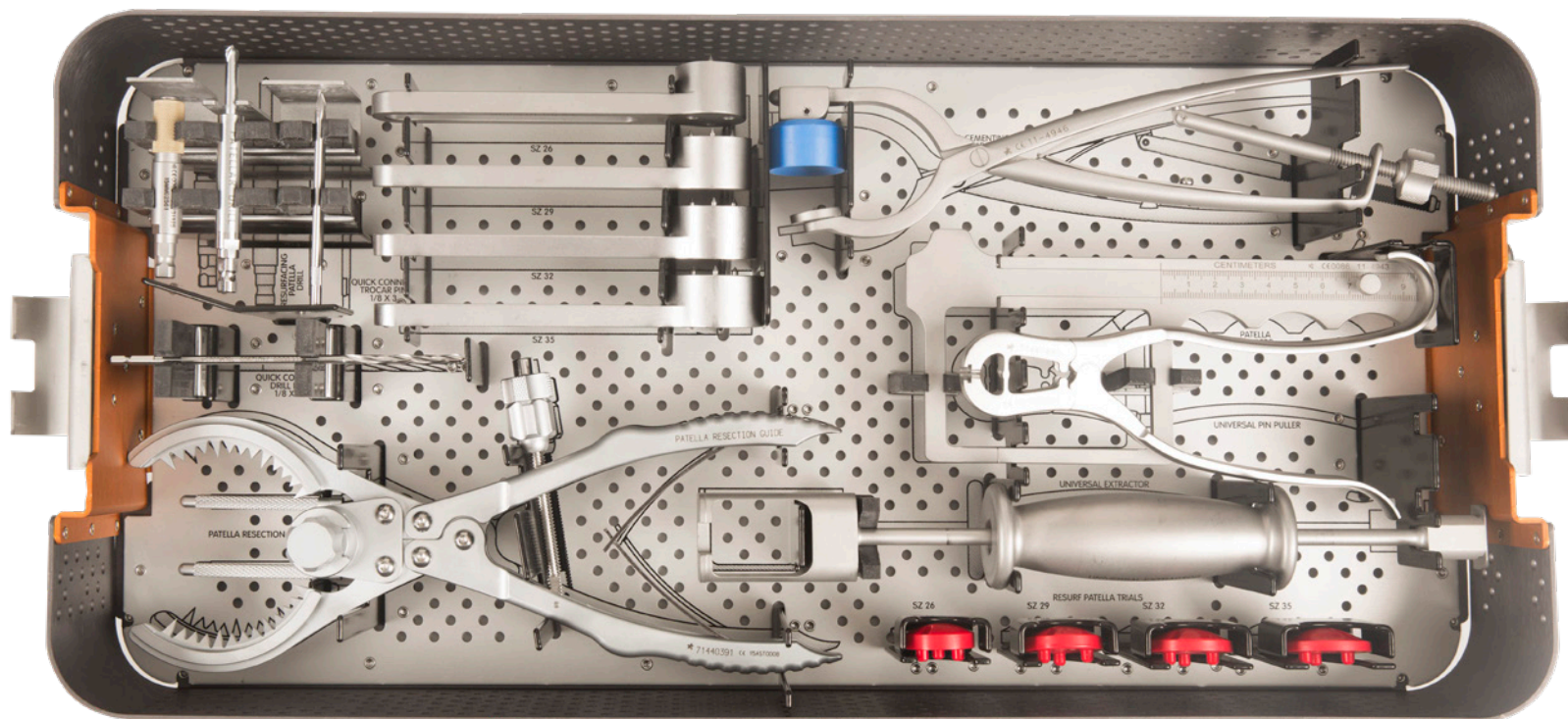
ORTHOMATCH[◇] Tibial prep and trial tray



Cat. No.	Description
71440045	GENESIS [®] II EM Alignment Tower
71440198	GENESIS II Tibia Alignment Spiked Fix Rod
71440205	GENESIS II Tibia Cutting Block Right
71440209	GENESIS II Tibia Cutting Block Left
71440211	GENESIS II Tibia Stylus
71440444	GENESIS II Adjustable Ankle Clamp
71440448	GENESIS II Tibial Alignment Tube
71442131	ORTHOMATCH [®] Quick Connect Handle
71436301	ORTHOMATCH Stemless Tib Tr Size 1 Left
71436302	ORTHOMATCH Stemless Tib Tr Size 1 Right
71436303	ORTHOMATCH Stemless Tib Tr Size 2 Left
71436304	ORTHOMATCH Stemless Tib Tr Size 2 Right
71436305	ORTHOMATCH Stemless Tib Tr Size 3 Left
71436306	ORTHOMATCH Stemless Tib Tr Size 3 Right
71436307	ORTHOMATCH Stemless Tib Tr Size 4 Left
71436308	ORTHOMATCH Stemless Tib Tr Size 4 Right
71436309	ORTHOMATCH Stemless Tib Tr Size 5 Left
71436310	ORTHOMATCH Stemless Tib Tr Size 5 Right
71436311	ORTHOMATCH Stemless Tib Tr Size 6 Left
71436312	ORTHOMATCH Stemless Tib Tr Size 6 Right
71436335	ORTHOMATCH Mod Fin Punch Size 1-2
71436336	ORTHOMATCH Mod Fin Punch Size 3-4
71436337	ORTHOMATCH Mod Fin Punch Size 5-6
71442196	ORTHOMATCH Tib Base Plate Align Bullet
71442171	ORTHOMATCH Tib/Insert Implant Impactor

Cat. No.	Description
71442163	ORTHOMATCH EM Align Drop Rod Guide
71512449	Pro Bone Spike-Short
71440040	GENESIS II 11mm Tibial Drill
74012825	JOURNEY [®] II Removal Tool
74033614	Univ Insert Spacer Size 1-2, 13mm
74033615	Univ Insert Spacer Size 1-2, 15mm
74033616	Univ Insert Spacer Size 1-2, 18mm
74033634	Univ Insert Spacer Size 3-4, 13mm
74033635	Univ Insert Spacer Size 3-4, 15mm
74033636	Univ Insert Spacer Size 3-4, 18mm
74033654	Univ Insert Spacer Size 5-6, 13mm
74033655	Univ Insert Spacer Size 5-6, 15mm
74033656	Univ Insert Spacer Size 5-6, 18mm
114861	Extramedullary Alignment Rod
71430442	GENESIS II CR High Flex Insert Trial Size 1-2, 9mm
71430444	GENESIS II CR High Flex Insert Trial Size 3-4, 9mm
71430446	GENESIS II CR High Flex Insert Trial Size 5-6, 9mm
71430443	GENESIS II CR High Flex Insert Trial Size 1-2, 11mm
71430445	GENESIS II CR High Flex Insert Trial Size 3-4, 11mm
71430447	GENESIS II CR High Flex Insert Trial Size 5-6, 11mm
71442136	ORTHOMATCH Tib Prep and Trials Tray Size 1-6
71442177	ORTHOMATCH Universal Tray Lid

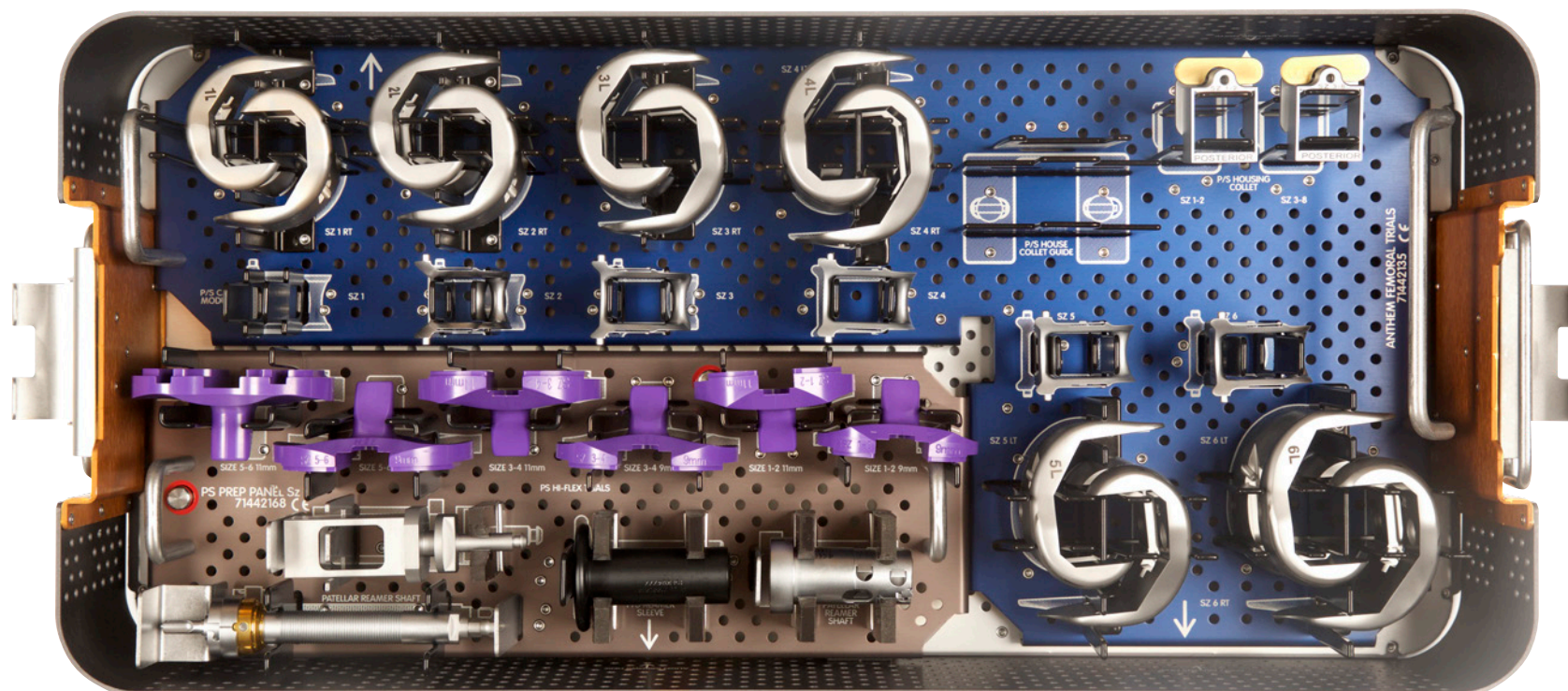
ORTHOMATCH[◇] General instrument and patella tray



Cat. No.	Description
71442114	ORTHOMATCH® Universal Extractor
74012904	Quick Connect Trocar Pin 1/8 x 3 (Qty: 3)
74012905	Quick Connect Drill Pin 1/8 x 5 (Qty: 2)
71631186	Mini Connector
71440491	Universal Pin Puller
114943	GENESIS® II Calipers
71440391	Patella Resection Guide
71430580	GENESIS II Resurface Patella Trial Size 26mm
71430574	GENESIS II Resurface Patella Trial Size 29mm
71430576	GENESIS II Resurface Patella Trial Size 32mm

Cat. No.	Description
71430578	GENESIS II Resurface Patella Trial Size 35mm
114946	GENESIS II Patella Cementing Clamp
71440362	GENESIS II Resurface Drill Guide 26mm
71440428	GENESIS II Resurface Drill Guide 29mm
71440430	GENESIS II Resurface Drill Guide 32mm
71440432	GENESIS II Resurface Drill Guide 35mm
71440360	GENESIS II Resurfacing Patella Drill
71442175	ORTHOMATCH General Inst and Patella Tray
71442177	ORTHOMATCH Universal Tray Lid

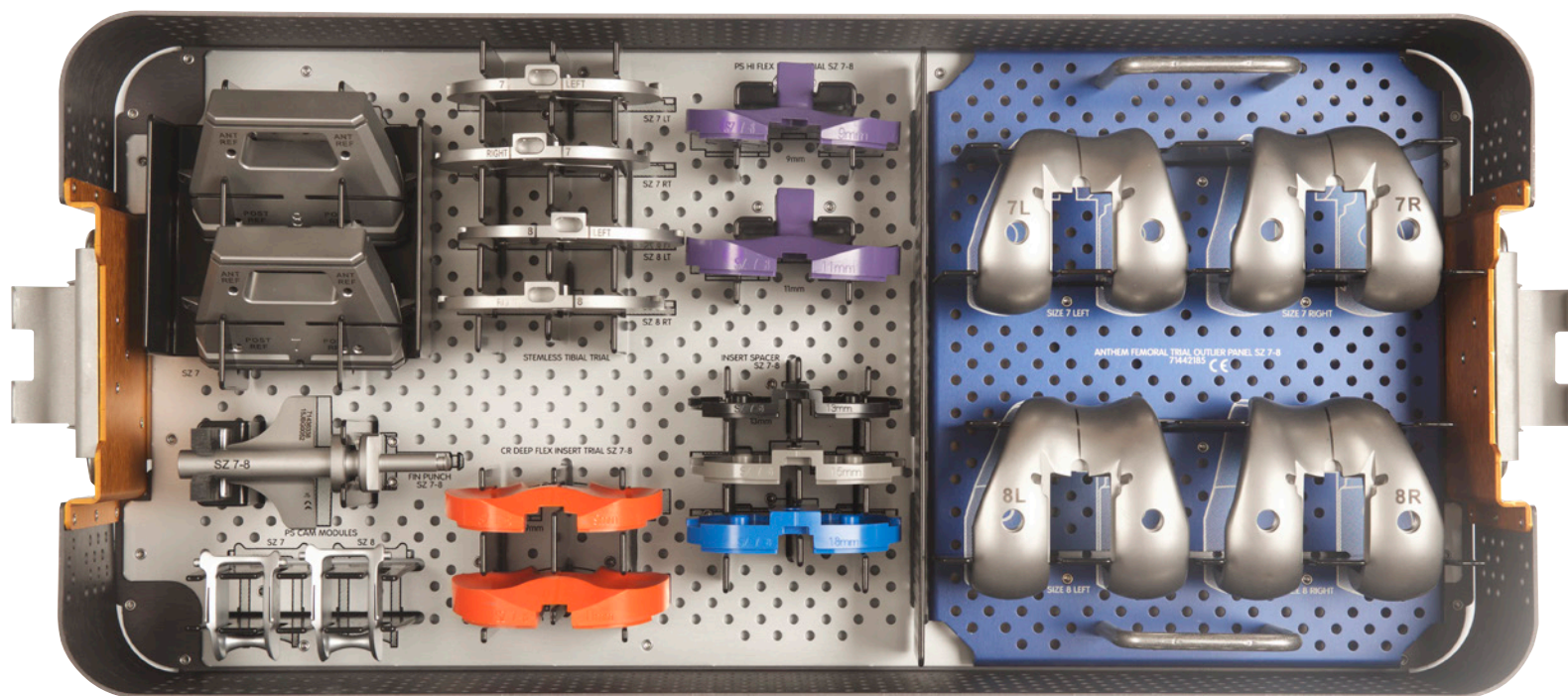
ORTHOMATCH[◇] Metal Femoral trial tray



Cat. No.	Description
71436351	ANTHEM [®] Metal Ream thru Fem Trial Size 1 Left
71436361	ANTHEM Metal Ream thru Fem Trial Size 1 Right
71436352	ANTHEM Metal Ream thru Fem Trial Size 2 Left
71436362	ANTHEM Metal Ream thru Fem Trial Size 2 Right
71436353	ANTHEM Metal Ream thru Fem Trial Size 3 Left
71436363	ANTHEM Metal Ream thru Fem Trial Size 3 Right
71436354	ANTHEM Metal Ream thru Fem Trial Size 4 Left
71436364	ANTHEM Metal Ream thru Fem Trial Size 4 Right
71436355	ANTHEM Metal Ream thru Fem Trial Size 5 Left
71436365	ANTHEM Metal Ream thru Fem Trial Size 5 Right
71436356	ANTHEM Metal Ream thru Fem Trial Size 6 Left
71436366	ANTHEM Metal Ream thru Fem Trial Size 6 Right
71436379	ANTHEM P/S Cam Module Size 1
71433362	GENESIS [®] II SPC P/S Cam Module Size 2
71433363	GENESIS II SPC P/S Cam Module Size 3
71433364	GENESIS II SPC P/S Cam Module Size 4
71433365	GENESIS II SPC P/S Cam Module Size 5
71433366	GENESIS II SPC P/S Cam Module Size 6
71434423	LEGION [®] Housing Resection Collet Size 1-2
71434424	LEGION Housing Resection Collet Size 3-8
71442181	ORTHOMATCH [®] Metal Femoral Trials Tray
71442135	ANTHEM Femoral Trial Half Tray (L Panel In Blue)
71442177	ORTHOMATCH Universal Tray Lid

Cat. No.	Description
71442174	ORTHOMATCH Modular Box Chisel
71440145	LEGION Housing Reamer Dome
71440324	LEGION Patellar Reamer Shaft
71440464	LEGION P/S Reamer Sleeve
71430401	PS High Flex Trials Size 1-2, 9mm
71430402	PS High Flex Trials Size 1-2, 11mm
71430408	PS High Flex Trials Size 3-4, 9mm
71430409	PS High Flex Trials Size 3-4, 11mm
71430415	PS High Flex Trials Size 5-6, 9mm
71430416	PS High Flex Trials Size 5-6, 11mm
71442168	ORTHOMATCH PS Prep Panel Size 1-6

ORTHOMATCH[◇] Femoral/Tibial Outlier tray size 7-8



Cat. No.	Description
71442107	ORTHOMATCH [®] DCF AP Cutting Block Size 7
71442108	ORTHOMATCH DCF AP Cutting Block Size 8
71436313	ORTHOMATCH Stemless Tibial Trial Size 7 LT
71436314	ORTHOMATCH Stemless Tibial Trial Size 7 RT
71436315	ORTHOMATCH Stemless Tibial Trial Size 8 LT
71436316	ORTHOMATCH Stemless Tibial Trial Size 8 RT
71436338	ORTHOMATCH Modular Fin Punch Size 7-8
71442184	ORTHOMATCH Fem/Tib Outlier Tray Size 7-8
71442177	ORTHOMATCH Universal Tray Lid
71430448	GENESIS [®] II CR High Flex Insert Trial Size 7-8, 9mm
71430449	GENESIS II CR High Flex Insert Trial Size 7-8, 11mm
71430422	GENESIS II PS High Flex Insert Trial Size 7-8, 9mm
71430423	GENESIS II PS High Flex Insert Trial Size 7-8, 11mm
74033674	Univ Insert Spacer Size 7-8, 13mm
74033675	Univ Insert Spacer Size 7-8, 15mm
74033676	Univ Insert Spacer Size 7-8, 18mm
71433367	GENESIS II SPC P/S Cam Module Size 7
71433368	GENESIS II SPC P/S Cam Module Size 8

Cat. No.	Description
71436331	ANTHEM Polymer Reamthru Fem Trl Size 7 LT
71436332	ANTHEM Polymer Reamthru Fem Trl Size 7 RT
71436333	ANTHEM Polymer Reamthru Fem Trl Size 8 LT
71436334	ANTHEM Polymer Reamthru Fem Trl Size 8 RT
71436348	ORTHOMATCH [®] Plastic P/S Cam Module Size 7
71436349	ORTHOMATCH Plastic P/S Cam Module Size 8
71442185	ANTHEM Fem Trial Insert Panel Size 7-8 (Blue)

Miscellaneous and sample

Cat. No.		Description
71442134	Replacement item	ORTHOMATCH [®] Lock Knob
71442178	Sample	ANTHEM [®] Fem PS CoCr Size 5 LT Sample
71442179	Sample	ANTHEM Tib Base plate Size 5 LT Sample
71442187	Sample	ANTHEM PS Hi Flexion insert Sz 5-6, 9mm

Alternative Pins

Cat. No.	Description
75009338	Small Pins
75009339	Medium Pins
74013489	SPEED PIN [®] Quick Connect Adapter
74018911	Articular insert assembly tool

Templates

Cat. No.	Description
71282089 and 71282097	ANTHEM TKA Nonporous Femoral Templates 107.5% magnification
71282088 and 71282096	ANTHEM TKA Nonporous Femoral 100% magnification



ANTHEM[◇] Total Knee System
ORTHOMATCH[◇] Universal Instrumentation

Set Ordering Process/
Bill of Materials

ANTHEM^o PS & CR Femoral components

BOM No.	Description	Sizes
71428890	ANTHEM PS CoCr Core (Sizes 3-7) Set	3-7 left / right
71422950	ANTHEM PS CoCr Size 8 Set	8 left / right
71423590	ANTHEM Narrow PS CoCr (Sizes 1-6) Set	1-6 left / right
71422960	ANTHEM CR CoCr Core (Sizes 3-7) Set	3-7 left / right
71422970	ANTHEM CR CoCr Size 8 Set	8 left / right
71422980	ANTHEM Narrow CR CoCr (Sizes 1-6) Set	1-6 left / right

ANTHEM Primary Tibia components

New BOMS	Description	Sizes
71423550	ANTHEM Primary Cemented Tibia Size 1 Set	1 left / right
71423560	ANTHEM Primary Cemented Tibia Size 2 Set	2 left / right
71423540	ANTHEM Primary Cemented Tibia Core (36) Set	36 left / right
71423570	ANTHEM Primary Cemented Tibia Size 7 Set	7 left / right
71423580	ANTHEM Primary Cemented Tibia Size 8 Set	8 left / right

ANTHEM Insert PS & CR components Conventional Polyethylene

New BOMS	Description	Sizes
71422990	ANTHEM PS HF CPE Insert Core (All Sizes; 9-11 Thick) Set	1-2; 3-4; 5-6; 7-8; 9 and 11mm thickness
71422999	ANTHEM PS HF CPE Insert Outlier (All Sizes; 13-15 Thick) Set	1-2; 3-4; 5-6; 7-8; 13 and 15mm thickness
71423500	ANTHEM PS HF CPE Insert Outlier + (All Sizes; 18 Thick) Set	1-2; 3-4; 5-6; 7-8; 18mm thickness
71423510	ANTHEM CR HF CPE Insert Core (All Sizes; 9-11 Thick) Set	1-2; 3-4; 5-6; 7-8; 9 and 11mm thickness
71423520	ANTHEM CR HF CPE Insert Outlier (All Sizes; 13-15 Thick) Set	1-2; 3-4; 5-6; 7-8; 13 and 15mm thickness
71423530	ANTHEM CR HF CPE Insert Outlier + (All Sizes; 18 Thick) Set	1-2; 3-4; 5-6; 7-8; 18mm thickness

Patella components

New BOMS	Description	Sizes (diameter)
71429881	LEGION ^o /GENESIS ^o II Round Patella 9mm (All Sizes) Set	26mm; 29mm; 32mm; 35mm

ORTHOMATCH[◇] ordering process

ORTHOMATCH for ANTHEM[◇] with metal femoral trials

BOM No.	Description	Sizes	Configuration
71442159	Core Set	1-6 left/right	Core femoral prep, core tibial prep Metal GII tibial Jig PS/CR HF insert trials Tibial base trials, general and patella instruments
71436380	Core Set	1-6 left/right	ANTHEM metal femoral trials left/right Size 1-6
71442160	Outlier Set	7-8 left/right	ANTHEM metal femoral and tibial base trials left/right size 7-8 AP cut blocks and CR/PS HF insert trials/spacers Size 7-8

ORTHOMATCH for ANTHEM with metal femoral trials and Anterior Referencing Femoral Size

BOM No.	Description	Sizes	Configuration
71430290*	Core Set	1-6 left/right	Core femoral prep, core tibial prep Metal GII tibial Jig Anterior Reference Only Sizer PS/CR HF insert trials Tibial base trials, general and patella instruments
71436380	Core Set	1-6 left/right	ANTHEM metal femoral trials left/right Size 1-6
71442160	Outlier Set	7-8 left/right	ANTHEM metal femoral and tibial base trials left/right size 7-8 AP cut blocks and CR/PS HF insert trials/spacers Size 7-8

ORTHOMATCH for ANTHEM with metal femoral trials and Posterior Referencing Femoral Sizer

BOM No.	Description	Sizes	Configuration
71430330*	Core Set	1-6 left/right	Core Femoral prep, core tibial prep Metal GII tibial Jig Posterior Reference Only Sizer PS/CR HF insert trials Tibial base trials, general and patella instruments
71436380	Core Set	1-6 left/right	ANTHEM metal femoral trials left/right Size 1-6
71442160	Outlier Set	7-8 left/right	ANTHEM polymer femoral and tibial base trials left/right size 7-8 AP cut blocks and CR/PS HF insert trials/spacers Size 7-8

* BOMs[◇] restricted to specific countries in EUCAN and APAC: China, Australia, Japan, Germany, France, Switzerland, Ireland, Italy, UK

Products may not be available in all markets because product availability is subject to the regulatory and/or medical practices in individual markets. Please contact your Smith+Nephew representative or distributor if you have questions about the availability of Smith+Nephew products in your area.

Note: Subject to the indications, contraindications, risk factors, intraoperative, postoperative and other guidance provided in the instructions for use and surgical technique brochure. The ANTHEM® Knee System has been designed with data from several different ethnicities to provide implant fit for various patient population types.

Smith & Nephew, Inc.
1450 Brooks Road
Memphis, Tennessee 38116
USA

www.smith-nephew.com
Telephone: 1-901-396-2121
Information: 1-800-821-5700
Orders/Inquiries: 1-800-238-7538

◊Trademark of Smith+Nephew
All Trademarks acknowledged
©2023 Smith & Nephew, Inc.
04370 V6 12/23

References

1. Victor J, Ghijselings S, Tajdar F, et al. Total knee arthroplasty at 15 -17 years: Does implant design affect outcome? *Int Orthop.* 2014;38(2):235-241. **2.** Smith and Nephew 2020. IndoGen (ANTHEM) Femoral Anatomical Analysis Summary. Internal report. **3.** Shervin D, Pratt K, Healey T, et al. Anterior knee pain following primary total knee arthroplasty. *World J Orthop.* 2015;6(10):795-803. **4.** Sharma G, Liu D, Malhotra R, et al. Availability of Additional Mediolateral Implant Option During Total Knee Arthroplasty Improves Femoral Component Fit Across Ethnicities: Results of a Multicenter Study. *J Bone Joint Surg Am.* 2017;2(2):e0014-e0014. **5.** Australian Orthopaedic Association National Joint Replacement Registry (AOANJRR) 2023. Hip, Knee & Shoulder Arthroplasty: 2023 Annual Report. Adelaide: AOA. **6.** National Joint Registry for England, Wales and Northern Ireland: GENESIS II. 8 Aug 2023. Report available upon request. **7.** Smith+Nephew 2023. Range of Motion Analysis of Posterior Stabilizing Femoral, Insert, and Patella Components for the Legion Cemented, Legion Porous, Genesis II, and Anthem Systems. November 21, 2023.

We thank the patients and staff of all the hospitals in England, Wales and Northern Ireland who have contributed data to the National Joint Registry. We are grateful to the Healthcare Quality Improvement Partnership (HQIP), the NJR Steering Committee and staff at the NJR Centre for facilitating this work. The views expressed represent those of Smith+Nephew and do not necessarily reflect those of the National Joint Registry Steering Committee or the Health Quality Improvement Partnership (HQIP) who do not vouch for how the information is presented.

† The data used for this analysis was obtained from the National Joint Registry ("NJR"), part of the Healthcare Quality Improvement Partnership ("HQIP"). HQIP, the NJR and/or its contractor, Northgate Public Services (UK) Limited ("NPS") take no responsibility (except as prohibited by law) for the accuracy, currency, reliability and correctness of any data used or referred to in this report, nor for the accuracy, currency, reliability and correctness of links or references to other information sources and disclaims all warranties in relation to such data, links and references to the maximum extent permitted by legislation including any duty of care to third party readers of the data analysis.