

A collection of knee joint components for the LEGION Total Knee System. The components are shown in various orientations, highlighting the femoral (top) and tibial (bottom) parts. Some components are black, while others are white. They are mounted on a grey metal stand. The background is white with a vertical orange bar on the left and a vertical blue bar on the right.

Total System Specification Guide and Product Catalog

*Product availability may vary by country or territory

Overview of the LEGION[◊] Total Knee System

LEGION

Total Knee System

GENESIS[◊] II

CR and PS Knees

LEGION CR

Cruciate Retaining Knees

LEGION PS

Posterior Stabilized Knees

LEGION RK

Revision Knees

LEGION HK

Hinge Knees

Identical trochlear groove geometry preserved throughout all LEGION knees

Consistent femoral A/P box resections (HK = RK with 10mm posterior wedge resections)

Seamless system, multiple options

GENESIS II knees feature built-in external rotation through a thinner medial posterior condyle.

LEGION knees feature symmetric posterior condyles (equal thickness).

The RK segment of the LEGION TKS is indicated not only for revisions, but also for complex primaries when stems, augments and/or offsets are needed.

LEGION "HK" utilizes the same instruments, stems and offset couplers as the revision system, allowing for the management of gross instability.

Table of Contents

System Specification Guide

| | |
|--|----|
| Femoral Component Dimensions..... | 8 |
| Tibial Baseplate Dimensions..... | 9 |
| Patellar Dimensions..... | 10 |
| GENESIS° II Stems..... | 11 |
| Sawblade/Tibial Stylus Thickness..... | 12 |
| Average Slope for Articular Inserts..... | 13 |
| LEGION° Stems..... | 14 |
| Femoral Stem Configuration..... | 15 |
| Femoral Stem Configuration with Coupler..... | 16 |
| Tibial Stem Configurations (including Coupler) ... | 17 |
| LEGION RK Primer..... | 18 |
| LEGION Implant Compatibility Guide..... | 21 |
| LEGION CR and PS Femorals..... | 25 |
| Primary Loaner Kits..... | 26 |
| LEGION (RK) Loaner Kits..... | 27 |
| Literature..... | 28 |

System Specification Guide: LEGION HK

| | |
|-----------------------------------|----|
| Femoral Component Dimensions..... | 30 |
| Tibial baseplate dimensions..... | 31 |

| | |
|--|----|
| LEGION HK Implant Component Assembly..... | 32 |
| Femoral Stem Configuration..... | 33 |
| Femoral Stem Configuration With Coupler..... | 34 |
| Tibial Stem Configurations (Including Coupler).... | 35 |
| LEGION HK Primer..... | 36 |
| LEGION HK Loaner Kits..... | 37 |

Product Catalog

| | |
|---------------------------|----|
| Femoral Implants..... | 40 |
| Inserts..... | 42 |
| Patellas..... | 45 |
| Femoral Wedges..... | 45 |
| Tibial Baseplates..... | 48 |
| Tibial Wedges..... | 49 |
| Stems..... | 50 |
| Cement And Sawblades..... | 52 |

Product Catalog: LEGION HK

| | |
|---------------|----|
| Implants..... | 56 |
| Wedges..... | 57 |

Instrumentation Reference Guide

| | |
|--|-----|
| GENESIS II Instrumentation..... | 60 |
| LEGION CR and PS trays | |
| 7144-1260 DCF Femoral Instrument..... | 74 |
| 7144-1259 DCF Cutting Blocks and Ream-Through Femoral Trials..... | 76 |
| 7143-4140 PS Ream-Through Femoral instruments..... | 78 |
| 7144-3101 Femoral Misc Instrument..... | 80 |
| 7144-3102 Tibial Misc Instrument..... | 82 |
| 7144-3112 Tibial Instrument (Upper)..... | 84 |
| 7144-3112 Tibial Instrument (Lower)..... | 86 |
| 7144-3113 Cr Tibial Insert Trial..... | 88 |
| 7144-3111 Ps Tibial Insert Trial..... | 90 |
| 7144-3103 Universal Patellar Instruments..... | 92 |
| LEGION RK trays | |
| 7143-4121 Reamers (Upper)..... | 94 |
| 7143-4122 120 And 160Mm Stem Trials (Lower)..... | 96 |
| 7143-4127 Tibial Instruments (Upper)..... | 98 |
| 7143-4128 Tibial Drill Guides (Lower)..... | 100 |
| 7143-4129 Tibial Base Trials (Upper)..... | 102 |

continued on next page

Instrumentation Reference Guide *continued*

LEGION® RK Trays *continued*

| | | |
|-----------|---|-----|
| 7143-4131 | Constrained Tibial Trial Inserts (Lower) | 104 |
| 7143-4132 | Tibial Wedge Trials | 106 |
| 7143-4125 | Femoral A/P Sizer (Upper)..... | 108 |
| 7143-4126 | Femoral Instruments (Lower) | 110 |
| 7143-4123 | Femoral Trials, Sizes 3-8 (Upper) .. | 112 |
| 7143-4124 | Femoral Wedge Trials, Sizes 3-8 (Lower)..... | 114 |
| 7143-4133 | Misc Instruments (Upper) | 116 |
| 7143-4134 | 220Mm Stem Trials (Lower)..... | 118 |

Instrumentation Reference Guide: Universal Instruments

| | |
|--|-----|
| LEGION Universal Trays – Overview | 122 |
| 7144-0843 Universal Base Tray | 123 |
| 7144-0844 Universal Alignment Tray | 125 |
| 7144-0281 LEGION Impactor and Finishing Tray | 127 |
| 7144-0287 LEGION Femoral Size 3-4 tray | 129 |
| 7144-0283 LEGION Femoral Size 5-6 tray | 130 |
| 7144-0285 LEGION Femoral Size 7-8 tray | 131 |

| | |
|---|-----|
| 7144-3132 LEGION Tibia Size 1-2 Tray | 132 |
| 7143-0032 LEGION Tibia Size 3-4 Tray | 133 |
| 7143-0033 LEGION Tibia Size 5-6 Tray | 134 |
| 7143-0034 LEGION Tibia Size 7-8 Tray | 135 |
| 7144-3131 LEGION Patella Prep Tray | 136 |
| 7143-0031 LEGION Optional Insert Tray | 138 |

Instrumentation Reference Guide: LEGION HK

| | |
|-------------------------------------|-----|
| 7143-4521 Trials Tray Right | 141 |
| 7143-4522 Trials Tray Left | 143 |
| 7143-4523 Misc Instrument Tray..... | 145 |
| 7144-1592 Size 7 Left Tray | 147 |
| 7144-1591 Size 7 Right Tray..... | 148 |

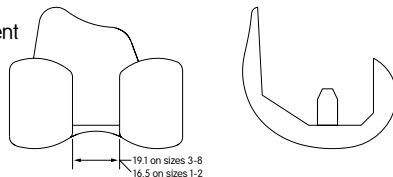
Femoral Component Dimensions

| Size | M/L | A/P | C | D | E | F | G | A/P Box |
|------|-----|-----|----|------|------|------|------|---------|
| 2 | 58 | 50 | 50 | 12.3 | 9.5 | 17.1 | 24.4 | 34.3 |
| 3N | 58 | 54 | 50 | 13.6 | 9.5 | 18 | 25.3 | 38.1 |
| 3 | 62 | 55 | 52 | 13.6 | 9.5 | 18.0 | 25.3 | 38.1 |
| 4N | 62 | 58 | 52 | 14.8 | 9.5 | 19.6 | 26.2 | 41.7 |
| 4 | 66 | 59 | 55 | 14.8 | 9.5 | 19.6 | 26.2 | 41.7 |
| 5N | 66 | 61 | 54 | 15.9 | 9.5 | 19.8 | 27 | 45 |
| 5 | 70 | 62 | 57 | 15.9 | 9.5 | 19.8 | 27.0 | 45.0 |
| 6N | 70 | 65 | 56 | 17 | 9.5 | 20.6 | 28.6 | 48.3 |
| 6 | 73 | 66 | 59 | 17.0 | 9.5 | 20.6 | 28.6 | 48.3 |
| 7 | 77 | 70 | 61 | 18.6 | 11.5 | 20.2 | 31.1 | 50.3 |
| 8 | 80 | 75 | 62 | 19.8 | 11.5 | 20.6 | 32.7 | 54.9 |

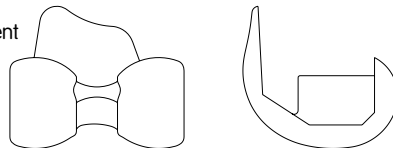
GENESIS[®] II as part of the LEGION Total Knee System

- LEGION PS box has an anterior wall. The GENESIS[®] II box is shorter in dimension F than the LEGION box by approximately 3.35mm (between 2.5 and 4.2mm).
- GENESIS II CR lugs are removable and can be used with LEGION CR, only on CoCr component.
- GENESIS II and LEGION femoral components share the majority of the same dimensions. LEGION components feature symmetric posterior condyles (equal thicknesses). The GENESIS II A/P dimensions are identical to the LEGION A/P dimensions because they are measured by the lateral posterior condyle.
- Asymmetric posterior condyles allow for external rotation to be integrated into the shape of the implant, offering an alternative to the conventional method of introducing rotation by adjusting the angle of the anterior resection.
- GENESIS II Revision is not represented here.

LEGION[®] CR
Femoral Component

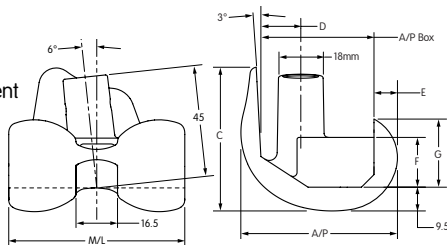


LEGION PS
Femoral Component



LEGION RK
Femoral Component

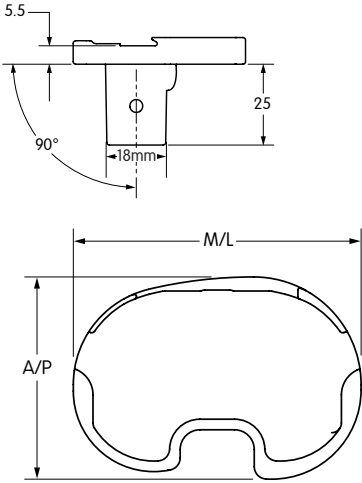
* Dimension G is slightly shorter for GENESIS II medial condyle



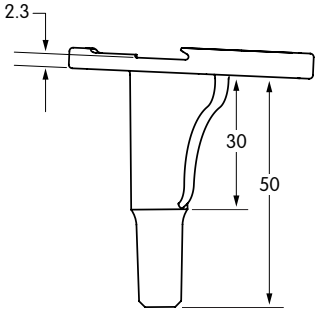
Tibial Baseplate Dimensions

| Size | A/P | M/L |
|------|-----|-----|
| 1 | 42 | 60 |
| 2 | 45 | 64 |
| 3 | 48 | 68 |
| 4 | 50 | 71 |
| 5 | 52 | 74 |
| 6 | 54 | 77 |
| 7 | 56 | 81 |
| 8 | 59 | 85 |

Cemented Baseplate - Female tapered



Cemented Baseplate - Male tapered

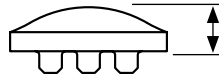


Note: 3° of baseplate slope plus approximately 4° of insert slope yields an effective 7° posterior slope with the final implant

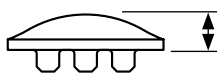
Patellar Dimensions



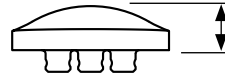
Biconvex



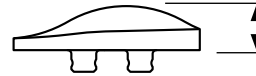
Resurfacing



7.5mm Resurfacing



Oval Patella



Oval Patella (90° rotated view to show anatomic flange)

| | Thickness (mm) | Diameter | | | | |
|---------------------|----------------|----------|----|----|----|----|
| Biconvex | 13 | 23 | 26 | 29 | 32 | |
| Resurfacing | 9* | | 26 | 29 | 32 | 35 |
| Resurfacing 7.5mm** | 7.5 | | 26 | 29 | 32 | 35 |

*13mm including peg height.

**12mm including peg height. The 7.5mm round resurfacing patella can be used with LEGION®, GENESIS® II and JOURNEY® II TKA systems.

Trials available through InVentures.

Oval Patella sizing options

| | | | | | |
|----------------|-----|-----|-----|-----|----|
| Diameter (mm) | 29 | 32 | 35 | 38 | 41 |
| Thickness (mm) | 8.5 | 9.0 | 9.0 | 9.5 | 10 |

GENESIS[◇] II Stems

These stems could be used with a male tapered baseplate during a complex primary case or for a revision case.

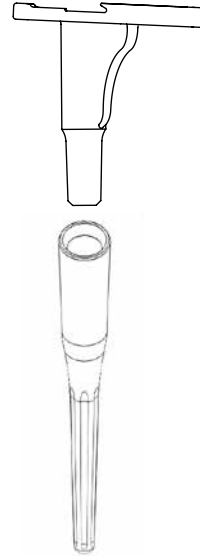
● Non-slotted stem

◐ Slotted stems

Note: fits JOURNEY[®] BCS tibial baseplate as well.

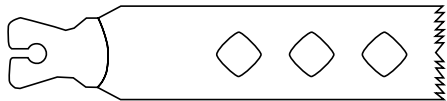
Note: the length of the stem is measured from the undersurface of the tibial baseplate.

| Size | Length (mm) | |
|------|-------------|-----|
| | 100 | 150 |
| 10 | ● | ◐ |
| 12 | ● | ◐ |
| 14 | ● | ◐ |
| 16 | ● | ◐ |
| 18 | ● | |
| 20 | ● | |
| 22 | ● | |
| 24 | ● | |



Sawblade Thickness

Sawblade for standard blocks



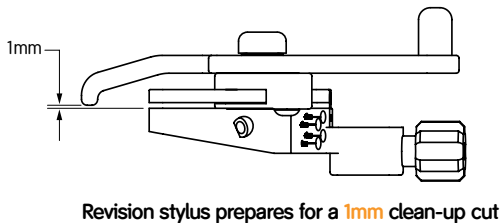
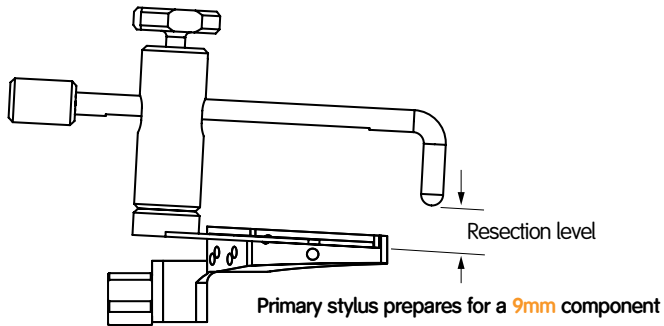
Cutting thickness and blade thickness should be 0.050" or 1.27mm

Sawblade for MIS blocks and LEGION® RK (revision) blocks



Cutting thickness and blade thickness should be 0.053" or 1.35mm

Tibial Stylus Thickness

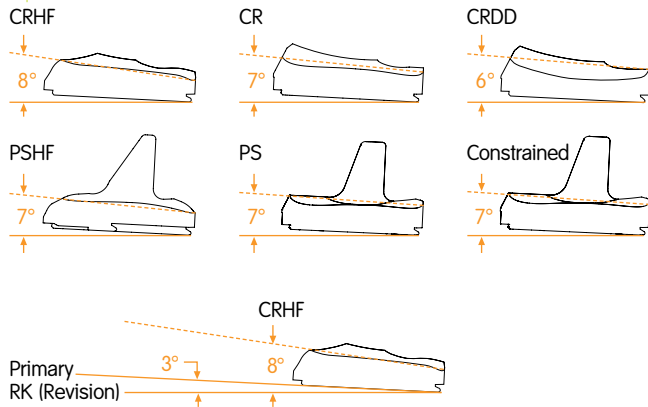


Average Slope for Articular Inserts

| Design | Thickness (mm) | | | | | | | | | |
|---|----------------|----|----|----|----|----|----|----|----|----|
| | 9 | 10 | 11 | 12 | 13 | 15 | 18 | | | |
| Cruciate Retaining High Flex* (CRHF*) | 9 | 10 | 11 | 12 | 13 | 15 | 18 | | | |
| Cruciate Retaining* (CR*) | 9 | | 11 | | 13 | 15 | 18 | | | |
| Cruciate Retaining Deep Dished* (CRDD*) | 9 | | 11 | | 13 | 15 | 18 | 21 | | |
| Posterior Stabilized High Flex* (PSHF*) | 9 | 10 | 11 | 12 | 13 | 15 | 18 | 21 | 25 | |
| Posterior Stabilized* (PS*) | 9 | | 11 | | 13 | 15 | 18 | 21 | 25 | |
| Posterior Stabilized Constrained (PSCon) | 9 | | 11 | | 13 | 15 | 18 | 21 | 25 | 30 |
| Cruciate Retaining All-Poly (CR All-Poly) | 9 | | 11 | | 13 | 15 | | | | |
| Posterior Stabilized All-Poly (PS All-Poly) | 9 | | 11 | | 13 | 15 | | | | |

*XLPE available in certain thicknesses

GENESIS® II – Conventional polyethylene (Sizes 1-8)



Note: The composite posterior slope is defined by the bone resection plus the insert slope. The primary baseplate bone resection is made at 3° posterior slope relative to its taper, whereas the revision (RK) baseplate bone resection is made with no posterior slope relative to its taper.

LEGION[◇] Stems

Anatomical precision is achieved through a broad selection of stems that are fully interchangeable and can be used on either the femoral or tibial component.

Cemented Stems (120mm and 160mm)

- 2mm increments in 10-20mm diameters
- Non-slotted
- CoCr material

Press-fit Stems (120mm, 160mm and 220mm straight, 220mm and 280mm bowed)

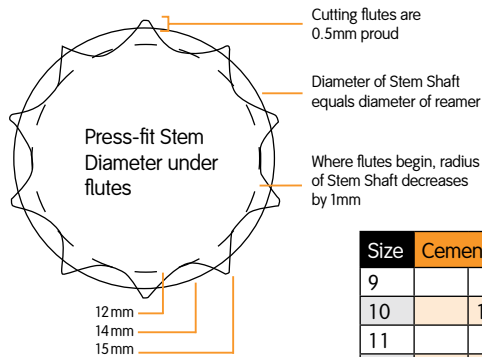
- 1mm increment in 9-16mm diameters
- 2mm increments in 16-24mm diameters
- 120mm Stems are non-slotted
- 160, 220 and 280mm stems are slotted
- Titanium material

Short Stem extension (80mm)

- 12mm diameter

Stem Reaming

- Cemented Stems – surgeon chooses undersized stem to allow cement mantle
- Cementless Stems – line-to-line



Press-fit Stem: Example Dimensions (size 14mm Stem)

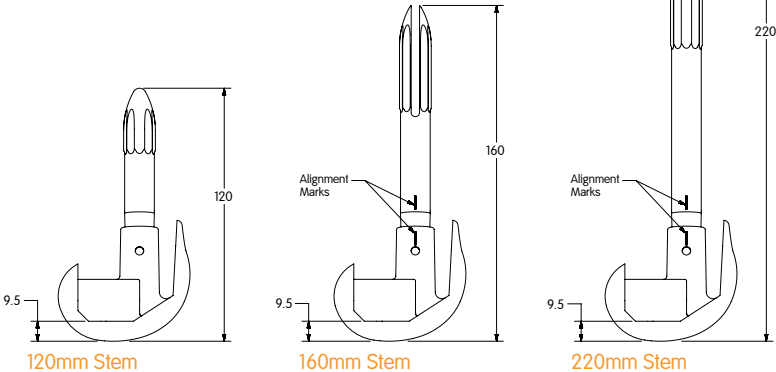
Diameter of largest reamer..... 14mm
 Diameter of unfluted region of Stem Shaft 14mm
 Stem Shaft diameter where flutes begin 12mm
 Diameter of cutting flutes 15mm

| Size | Cemented (mm) | | | Press-fit Straight (mm) | | | Press-fit Bowed* (mm) | |
|------|---------------|-----|-----|-------------------------|-----|-----|-----------------------|-----|
| 9 | | | | 120 | 160 | | | |
| 10 | | 120 | 160 | 120 | 160 | 220 | 220 | 280 |
| 11 | | | | 120 | 160 | 220 | 220 | 280 |
| 12 | 80 | 120 | 160 | 120 | 160 | 220 | 220 | 280 |
| 13 | | | | 120 | 160 | 220 | 220 | 280 |
| 14 | | 120 | 160 | 120 | 160 | 220 | 220 | 280 |
| 15 | | | | 120 | 160 | 220 | 220 | 280 |
| 16 | | 120 | 160 | 120 | 160 | 220 | 220 | 280 |
| 18 | | 120 | 160 | 120 | 160 | 220 | 220 | 280 |
| 20 | | 120 | 160 | 120 | 160 | 220 | 220 | 280 |
| 22 | | | | 120 | 160 | 220 | 220 | 280 |
| 24 | | | | 120 | 160 | 220 | 220 | 280 |

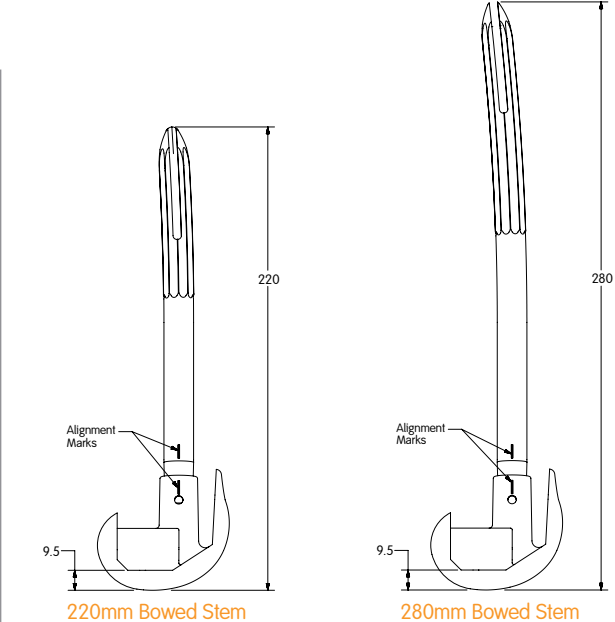
* Non-standard, limited availability. (Check country or territory availability)

Femoral Stem Configuration

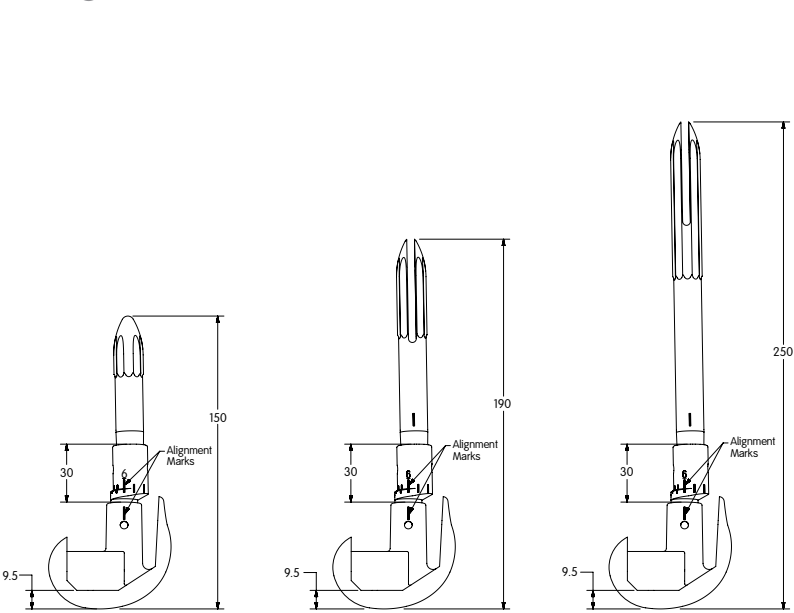
Note: Alignment marks can be used to aid in stem slot orientation in the sagittal plane (tibia) and coronal plane (femur) as shown here if preferred. They are also used to dial in and reference the offset coupler rotation with respect to the femoral and tibial trials. For example, the offset coupler is in the "6 o'clock" position in both the femoral and tibial configurations in this section.



Bowed Stem Configuration



Straight Stem with Coupler

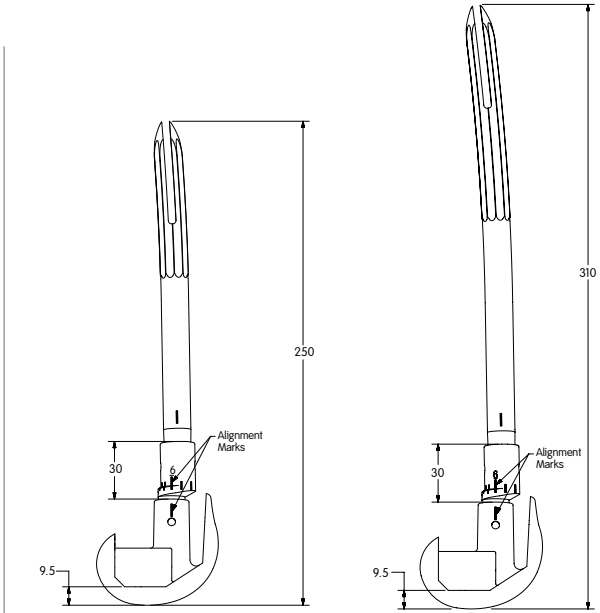


120mm Stem

160mm Stem

220mm Stem

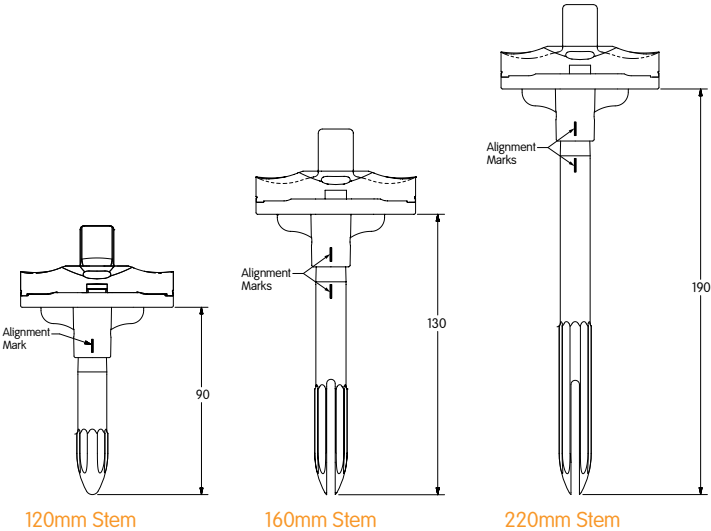
Bowed Stem with Coupler



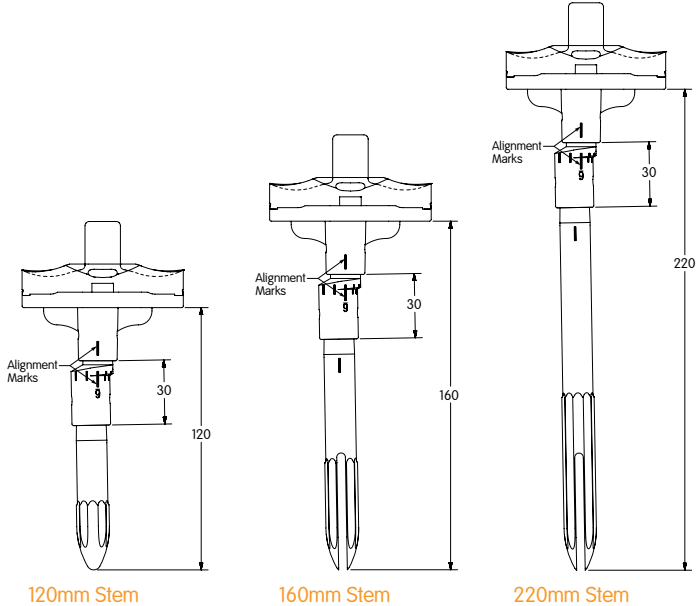
220mm Bowed Stem

280mm Bowed Stem

Tibial Stem Configuration



Tibial Stem with Coupler



LEGION[◇] RK Primer

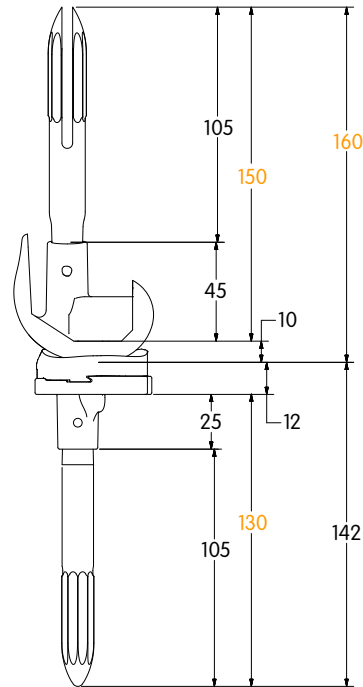
Stem Length Design Rationale

- LEGION stems were designed for use in multiple scenarios from complex primary through revision and hinge.
- In order to enable alignment of the new construct with the original joint line, stem lengths are measured from the joint line, defined by the distal-most aspect of the articular surface of the femoral component.
- For example, using a stem labeled “160mm” yields a final femoral construct length of 160mm from the joint line to the tip of the stem.
- If an offset coupler is used, the effective stem length is increased by 30mm.
- Same stems are used for the femur and tibia.

Tibia side (shorter taper)

- Tibial taper is 20mm shorter than the femoral taper.
- The shorter taper serves to move offset couplers proximally, mitigating tibial cortex impingement.
- The tibial insert thickness affects the tibial construct length from the joint line to the tip of the tibial stem.
- The shorter tibial taper results in an effective stem length 20mm shorter than labeled, but the insert thickness affects this number as well.
- For example, using a stem labeled “160mm” with a 9mm insert and the thicker revision baseplate yields a final tibial construct length of 142mm from the joint line to the tip of the stem.
- Reamers are marked to ream from the distal bone interface of the femur plus 20mm extra.
- Reaming to the depth mark on the tibia reams 20mm more, resulting in a net of 40mm extra depth on the tibia.
- Please note the LEGION HK tibia is longer, check page LEGION HK primer for details.

Final note: there are three key measurements, and they are highlighted in the figure to the right – 160, 150 and 130. These highlight the stem length and the length from the tapers on both the femoral and tibia components into the canal.



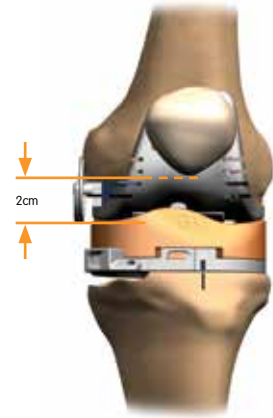
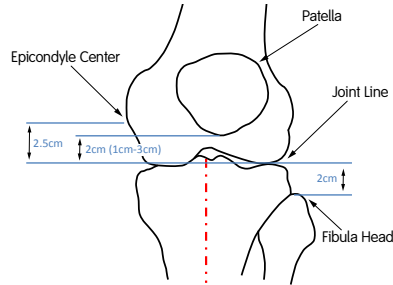
Appropriate patellar position should be assessed preoperatively and corrective strategies developed, if needed. A need to move the joint line distally can be a common occurrence in Revision TKA, and if known preoperatively, can save time over adjusting the joint line after the trial range of motion. An assessment of the joint line and patellar height should be completed preoperatively and/or prior to the removal of any existing components with any necessary corrections noted. The noted corrections can then be performed within the initial steps of the surgical technique – distal resection, A/P block resections and femoral trial.

Re-establishing the Joint Line

The image below shows three anatomical landmarks that can be used during revision surgery to re-establish the joint line. While there are others, these three are used the majority of the time as a quick reference to ensure that the new implants are recreating the joint line in its proper location. (Keep in mind the dimensions are appropriate. They are a quick reference guide).

The three measurements are:

- Epicondyle center
- Inferior patellar pole
- Fibula head



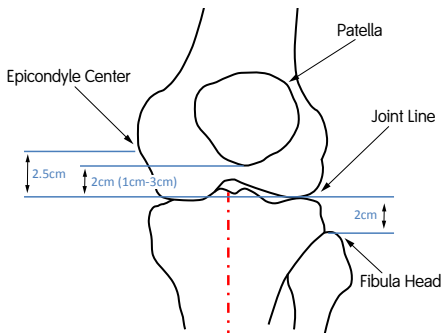
The 10mm distal wedge resection slots in the femoral trial provide a reference of 20mm from the joint line to help assess the height of the inferior eminence of the patella.

Degrees of Hyperextension/Rotation/Constraint*

| LEGION® PS Femoral with PS or PSHF Insert | LEGION RK Femoral with PS or PSHF Insert | LEGION PS Femoral with Constrained* Insert** | LEGION RK Femoral with Constrained* Insert | LEGION HK Femoral with Guided Motion insert |
|---|--|--|--|---|
| 15° of hyperextension | 15° of hyperextension | 13° of hyperextension | 10° of hyperextension | 3° of hyperextension |
| No constraint on rotation | No constraint on rotation | +/- 4° of rotation | +/- 3° of rotation | No constraint distracted or flexed (~0.8cm distraction) |
| No varus/valgus constraint | No varus/valgus constraint | +/- 3° of varus/valgus constraint | +/- 2° of varus/valgus constraint | +/- 2° of varus/valgus constraint |

* Constraint refers to post-to-box geometry.

** In patients with good femoral bone quality and when used in conjunction with a tibial stem



Flexion Extension Matrix

| | Extension | | |
|---------|-----------|----|-------|
| Flexion | Tight | OK | Loose |
| Tight | 1 | 2 | 3 |
| OK | 4 | 5 | 6 |
| Loose | 7 | 8 | 9 |

1. Resect more tibia.
2. Downsize the femoral component.
3. Lower joint line by augmenting distal femur.
4. Resect more distal femur.
5. Assess, finalize and proceed.
6. Lower joint line by augmenting distal femur.
7. Move femoral component proximally and use thicker insert.
8. Upsize femoral component.
9. Use a thicker tibial insert.

LEGION[◇] Implant Compatibility Guide

| | Femoral Component | | | | Sizes |
|--|-----------------------------|------------------|-----------|-----------|---|
| | LEGION CR | LEGION PS | LEGION RK | LEGION HK | |
| LEGION RK Distal Femoral Wedges | CoCr femoral component only | Yes | Yes | No | Sizes 2-8; 5, 10, 15mm |
| LEGION HK Distal Wedges | No | No | No | Yes | Sizes 3-5 and 7; 5, 10, 15, 20mm |
| LEGION RK Posterior Femoral Wedges | CoCr femoral component only | Yes ¹ | Yes | No | Sizes 1-8; 5, 10mm |
| LEGION RK "L" Femoral Wedges Sizes 2-8 | CoCr femoral component only | Yes | Yes | No | Sizes 2-8; 5 distal x 5mm posterior 10 distal x 5mm posterior 15 distal x 5mm posterior |
| LEGION RK "L" Femoral Wedges Sizes 3-8 | CoCr femoral component only | Yes | Yes | No | Sizes 3-8; 5 distal x 10mm posterior 10 distal x 10mm posterior 15 distal x 10mm posterior |
| GENESIS[°] II All-Poly Tibia | Yes | Yes | No | No | Sizes 1-8 |
| GENESIS II Tibial Baseplate – Male Tapered | Yes | Yes | Yes | No | Sizes 1-8 |
| LEGION RK Tibial Baseplate – Female Tapered | Yes | Yes | Yes | No | Sizes 1-8 |
| LEGION HK Tibial Baseplate - Female Tapered | No | No | No | Yes | Sizes 2-5 and 7 |

Note: While other implant combinations may be theoretically possible, the information in this table is intended to communicate those combinations that are recommended, based on regulatory approvals, technical merit and strategic product focus.

¹ GENESIS II Non-augmented, constrained - No

| | Femoral Component | | | LEGION HK | Sizes |
|--|-------------------|------------------|-------------------------|-----------|--|
| | LEGION° CR | LEGION PS | LEGION RK | | |
| Standard Inserts; - Cruciate Retaining (CR) - Posterior Stabilized (PS) | Yes | Yes | Yes – PS only | No | CR – Sizes 1-8; 9, 11, 13, 15, 18mm PS – Sizes 1-8; 9, 11, 13, 15, 18, 21, 25mm |
| Cruciate Retaining Deep Dished (CRDD) | Yes | No | No | No | Size 1-8; 9, 11, 13, 15, 18, 21mm |
| Cruciate Retaining High Flex (CRHF) Posterior Stabilized High Flex (PSHF) | Yes – Deep Flex | Yes – High Flex | Yes – PS High Flex only | No | CR – Sizes 1-8; 9, 11, 13, 15, 18mm PS – Sizes 1-8; 9, 11, 13, 15, 18, 21, 25mm |
| Posterior Stabilized High Flex (PSHF) in XLPE Cruciate Retaining High Flex (CRHF) in XLPE | Yes ² | Yes | Yes – PS only | No | CR – Sizes 1-8; 9, 11, 13, 15mm PS – Sizes 1-8; 9, 11, 13, 15mm |
| Posterior Stabilized Constrained (PSCon) | No | Yes ³ | Yes ⁴ | No | Sizes 1-8; 9, 11, 13, 15, 18, 21, 25, 30mm |
| LEGION HK Guided Motion Insert | No | No | No | Yes | Sizes 2-5 and 7; 11, 13, 15, 18, 21mm |
| LEGION Press-Fits Stems | No | No | Yes | Yes | 120mm; 9, 10, 11, 12, 13, 14, 15, 16, 18, 20, 22, 24mm 160mm; 9, 10, 11, 12, 13, 14, 15, 16, 18, 20, 22, 24mm 220mm; 10, 11, 12, 13, 14, 15, 16, 18, 20, 22, 24mm 280mm; 10, 11, 12, 13, 14, 15, 16, 18, 20, 22, 24mm |

² Formerly known as “Deep Flex” for CR. XLPE version now called “High Flex” to match PS

³ In patients with good femoral bone quality and when used in conjunction with a tibial stem

⁴ When used in conjunction with a tibial stem

| | Femoral Component | | | | Sizes |
|---------------------------------------|-------------------|-----------|-----------|-----------|--|
| | LEGION° CR | LEGION PS | LEGION RK | LEGION HK | |
| LEGION Stem Extensions | No | No | Yes | Yes | 80mm; 12mm |
| LEGION Offset Couplers | No | No | Yes | Yes | 2, 4, 6mm and angled |
| GENESIS° II Patella-Biconvex | Yes | Yes | Yes | Yes | Thickness 13mm; 23mm, 26mm, 29mm, 32mm |
| GENESIS II Patella-Oval | Yes | Yes | Yes | Yes | Diameter 29mm 32mm 35mm 38mm 41mm Thickness 8.5mm 9.0mm 9.0mm 9.5mm 10mm |
| GENESIS II Patella-Resurfacing | Yes | Yes | Yes | Yes | Thickness 9mm; 26mm, 29mm, 32mm, 35mm, 39mm, 41mm Thickness 7.5mm; 26mm, 29mm, 32mm, 35mm |

LEGION[◇] Implant Compatibility Guide

| | Tibial Component | | | Sizes |
|--|------------------------|-----------|-----------|--|
| | LEGION Primary (CR/PS) | LEGION RK | LEGION HK | |
| LEGION HK Guided Motion Insert | No | No | Yes | Sizes 2-5 and 7; 11, 13, 15, 18, 21mm |
| LEGION Press-Fits Stems | No | Yes | Yes | 120mm; 9, 10, 11, 12, 13, 14, 15, 16, 18, 20, 22, 24mm 160mm; 9, 10, 11, 12, 13, 14, 15, 16, 18, 20, 22, 24mm 220mm; 10, 11, 12, 13, 14, 15, 16, 18, 20, 22, 24mm 280mm; 10, 11, 12, 13, 14, 15, 16, 18, 20, 22, 24mm |
| LEGION Cemented Stems | No | Yes | Yes | 120mm; 10, 12, 14, 16, 18, 20mm 160mm; 10, 12, 14, 16, 18, 20mm |
| LEGION Stem Extensions | No | Yes | Yes | 80mm; 12mm |
| LEGION Offset Couplers | No | Yes | Yes | 2, 4, 6mm and angled |
| LEGION Male-Male Offset Couplers | No | Yes | Yes | 2, 4, 6mm |
| LEGION Hemi-Stepped Tibial Wedge | No | Yes | No | Sizes 1-8; 5, 10, 15mm |
| LEGION Full-Stepped Tibial Wedge | No | Yes | No | Sizes 1-8; 10, 15mm |
| LEGION RK/HK Hemi-Stepped Tibial Wedge | No | Yes | Yes | Sizes 1-8; 5, 10, 15mm |
| LEGION RK/HK Full-Stepped Tibial Wedge | No | Yes | Yes | Sizes 1-8; 10, 15mm |

LEGION[◇] CR and PS Femorals Articular Insert Interchangeability

Cruciate Retaining Inserts (CR): completely interchangeable with all size femoral components.

Posterior Stabilized (PS), Cruciate Retaining Deep Dished (CRDD), Posterior Stabilized Constrained (PSCon), Posterior Stabilized High Flex (PSHF) and Cruciate Retaining High Flex (CRHF): Limited interchangeability; chart applies.

| Insert Size | Femoral Size | | | | | | | | | |
|---------------------|--------------|---|---|---|---|---|---|---|----|--|
| 1-2 PS, CRDD, PSCon | 1 | 2 | 3 | | | | | | | |
| 1-2 PSHF, CRHF | 1 | 2 | 3 | 4 | | | | | | |
| 3-4 PS, CRDD, PSCon | | 2 | 3 | 4 | 5 | | | | | |
| 3-4 PSHF, CRHF | | 2 | 3 | 4 | 5 | 6 | | | | |
| 5-6 PS, CRDD, PSCon | | | | 4 | 5 | 6 | 7 | | | |
| 5-6 PSHF, CRHF | | | | 4 | 5 | 6 | 7 | 8 | | |
| 7-8 PS, CRDD, PSCon | | | | | | 6 | 7 | 8 | | |
| 7-8 PSHF, CRHF | | | | | | 6 | 7 | 8 | 9* | |

*Size 9 GENESIS II only, not in standard set, limited availability and may vary by country or territory.

LEGION RK Constrained Femoral Articular Insert Interchangeability

Posterior Stabilized (PS)
Posterior Stabilized High Flex (PSHF)
Posterior Stabilized Constrained (PSCon)
Femoral Component Size

| Insert Size | Femoral Size | | | | | | | |
|--------------|--------------|---|---|---|---|---|---|--|
| 1-2 PS/PSCon | 2 | 3 | | | | | | |
| 1-2 PSHF | 2 | 3 | 4 | | | | | |
| 3-4 PS/PSCon | 2 | 3 | 4 | 5 | | | | |
| 3-4 PSHF | 2 | 3 | 4 | 5 | 6 | | | |
| 5-6 PS/PSCon | | | 4 | 5 | 6 | 7 | | |
| 5-6 PSHF | | | 4 | 5 | 6 | 7 | 8 | |
| 7-8 PS/PSCon | | | | | 6 | 7 | 8 | |
| 7-8 PSHF | | | | | 6 | 7 | 8 | |

Note: For GENESIS[◇] II CR and PS, same interchangeability, except for constrained inserts, which are not compatible with GENESIS II Primary Femoral Components due to the asymmetrical posterior condyles.

Primary Loaner Kits*

Instrumentation

| Kit No. | Contents |
|---------|---|
| 007735 | Universal Instruments (Fem 3-6, Tibial 3-6 Patella and Misc) |
| 007737 | Finishing Instruments (Sizes 1-2) |
| 007738 | Finishing Instruments (Sizes 7-8) |
| 007780 | Posterior Referencing (Sizes 3-6) (goes w/Kit 007735) |
| 007781 | Posterior Referencing (Sizes 7-8) |
| 007911 | Posterior Referencing (Sizes 1-2) |
| 007920 | Oval Patellar Resurfacing Instruments |
| 008117 | CR Deep Dished Insert Trials (goes w/Kit 008600) |
| 007969 | High Flexion Instruments (goes w/Kits 008443, 008444, 008447) |
| 007769 | Stemless Tibial Instruments Trials & Punches |
| 008104 | Large Reamer Resurfacing System (goes w/Kit 008248) |
| 008120 | ACF Femoral Instrument Set |
| 008122 | CR Femoral Instrument Set |
| 008124 | PS Femoral Set |
| 008101 | (Sizes 1-2) DCF MIS CR and PS Cutting Blocks |
| 008103 | (Size 9) DCF Instrumentation (goes w/Kits 008462 or 008463) |
| 008100 | (Sizes 1-2) ACF MIS CR and PS Cutting Blocks |
| 008102 | (Size 9) ACF Instrumentation (goes w/Kits 008462 or 008463) |

Implants

| Kit No. | Contents |
|---------|--|
| 008248 | Oval Resurfacing Patellar Implants |
| 008600 | GENESIS® II CR High Flex Implants (Size 1-8) |
| 008444 | PS High Flex Inserts (Size 1-2) (9-25mm) |
| 008443 | PS High Flex Inserts (Size 7-8) (9-25mm) |
| 008447 | PS High Flex Inserts (Size 3-6) |
| 008462 | LEGION® CR OXINIUM® Non-Porous Size 9 Femoral Component Left |
| 008463 | LEGION CR OXINIUM Non-Porous Size 9 Femoral Component Right |
| 008621 | LEGION PS OXINIUM Size 3-8 Set Femoral Component Right |
| 008622 | LEGION PS OXINIUM Size 3-8 Set Femoral Component Left |
| 008623 | LEGION CR OXINIUM Size 3-8 Set Femoral Component Right |
| 008624 | LEGION CR OXINIUM Size 3-8 Set Femoral Component Left |
| 008625 | LEGION CR Non-Porous Size 3-8 Set Femoral Component Left |
| 008626 | LEGION CR Non-Porous Size 3-8 Set Femoral Component Right |
| 009262 | LEGION Porous CR Loaner Kits – Right |
| 009263 | LEGION Porous CR Loaner Kits – Left |

*US loaner kits

LEGION[◇] Revision (RK) Loaner Kits*

| Kit No. | Contents |
|-----------|--|
| 008135 | All Instruments (Femur Sizes 3-8, Tibia Sizes 1-8) |
| LT-008642 | All Implants (Femur Sizes 3-8, Tibia Sizes 1-8) |
| RT-08643 | All Implants (Femur Sizes 3-8, Tibia Sizes 1-8) |
| 008640 | LT Fem Components (Sizes 3-8), all types of Fem Wedges (Sizes 3-8) |
| 008641 | RT Fem Components (Sizes 3-8), all types of Fem Wedges (Sizes 3-8) |
| 008634 | LT Tibial Baseplates (Sizes 1-8), all types of Tibial Wedges, Tibial Inserts |
| 008635 | RT Tibial Baseplates (Sizes 1-8), all types of Tibial Wedges, Tibial Inserts |
| 008636 | Cemented Stems, Couplers (2 each of 2, 4, 6mm), Short Stem Extensions |
| 008637 | Press-fit Stems, Couplers (2 each of 2, 4, 6mm), Short Stem Extensions |
| 008142 | Instruments (Femur Sizes 1-2) |
| 007259 | GENESIS [◇] II Revision Long Stem Implants (10-22mm x100, 10-16mm x150) |

*US loaner kits

| Kit No. | Contents |
|---------|---|
| 007742 | GENESIS II Revision Long Stem Instruments |
| 008704 | RENOVATION [®] Knee Extraction Instruments |
| 009611 | RENOVATION Knee Extraction Disposables |
| 008638 | LT Fem Components (Size 2), all types Fem Wedges (Size 2) |
| 008639 | RT Fem Components (Size 2), all ypes Fem Wedges (Size 2) |
| 009262 | Male-Male Offset Couplers - Implants |
| 008535 | Male-Male Offset Couplers - Trials |
| 008862 | Bowed Stem Implants |
| 008350 | Bowed Stem Trials |

Literature

Surgical Techniques

| Catalog Item | Description |
|--------------|--|
| 71281670 | LEGION° Total Knee System ACF Femoral ST |
| 71281671 | LEGION Total Knee System DCF Femoral ST |
| 71281978 | LEGION Total Knee System DCF Femoral ST with Universal Instruments |
| 71281673 | LEGION Total Knee System Tibial EM ST |
| 71281674 | LEGION Total Knee System Tibial IM ST |
| 71281677 | LEGION Total Knee System Biconvex Patella ST |
| 71281300 | LEGION Revision Knee (RK) Surgical Technique |
| 71281506 | LEGION Hinge Knee (HK) Surgical Technique |
| 71281942 | LEGION HK Hinge Disassembly and Rebuild Technique |
| 2025-e | RENOVATION° Surgical Technique Universal Knee Implant Extraction Instrument System |

Femoral Component Dimensions

LEGION[®] HK Femoral Component

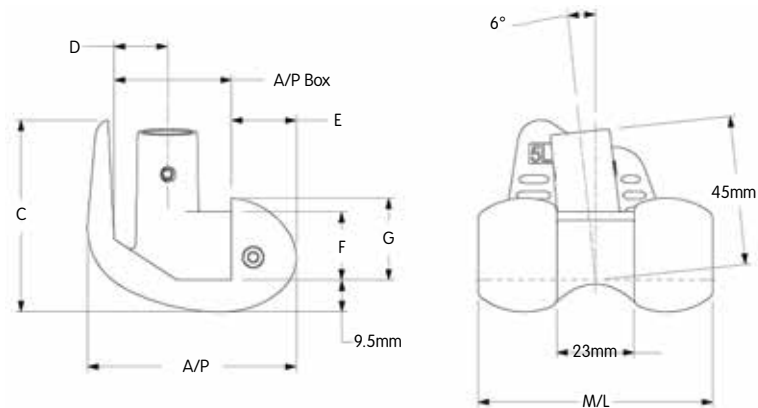
| Size | M/L (mm) | A/P (mm) | C (mm) | D (mm) | E (mm) | F (mm) | G (mm) | A/P Box (mm) |
|------|----------|----------|--------|--------|--------|--------|--------|--------------|
| 3 | 62 | 55 | 52 | 13.6 | 19.3 | 20.3 | 24.5 | 28.0 |
| 4 | 66 | 59 | 55 | 14.8 | 19.3 | 20.3 | 24.5 | 31.7 |
| 5 | 70 | 62 | 57 | 15.9 | 19.3 | 20.3 | 24.5 | 35.0 |
| 7* | 77 | 70 | 61 | 18.6 | 21.3 | 21.6 | 26.3 | 40.3 |

The LEGION HK femoral assembly shares the same A/P and M/L dimensions as the LEGION primary femorals and LEGION RK femorals.

All box cuts are made using the LEGION RK, A/P cutting block of the same size. The +10mm posterior cuts are used for the LEGION HK femorals.

All sizes of femorals fit all sizes of tibias.

* The LEGION HK size 7 femoral assembly has a different link. Size 2 through 5 share one link size.



Tibial Baseplate Dimensions

LEGION° HK Tibial Component

| Size | M/L (mm) | A/P (mm) |
|------|----------|----------|
| 2 | 64 | 45 |
| 3 | 68 | 48 |
| 4 | 71 | 50 |
| 5 | 74 | 52 |
| 7 | 81 | 56 |

Guided Motion Insert

| Thickness (mm) |
|----------------|
| 11 |
| 13 |
| 15 |
| 18 |
| 21 |

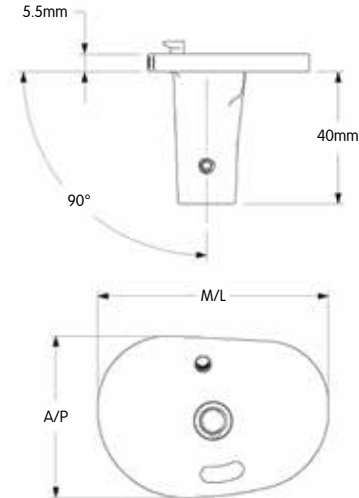
The LEGION HK tibial component has the same footprint and sizing as the LEGION primary and revision tibial baseplate.

The LEGION HK tibial stem is 15mm longer than the LEGION RK. When reaming for the stem with the Counterbore Reamer, use the femoral setting on the collar.

Insert sizes are: 2-3, 4-5 and 6-7.

All sizes of femorals fit all sizes of tibias.

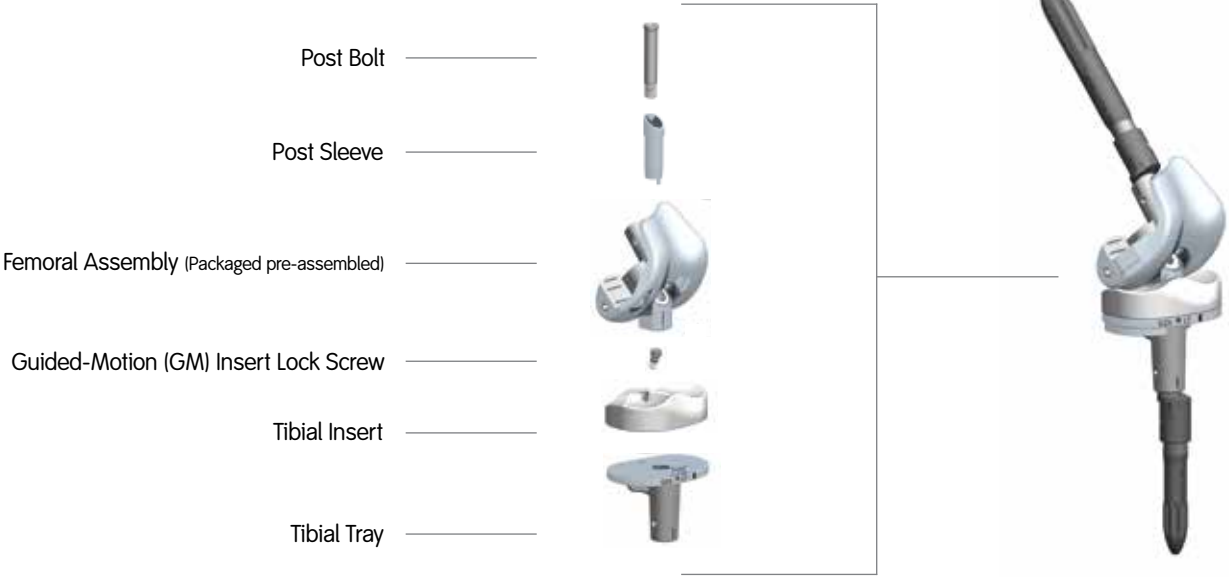
Cemented Baseplate - Female tapered



Guided Motion Insert

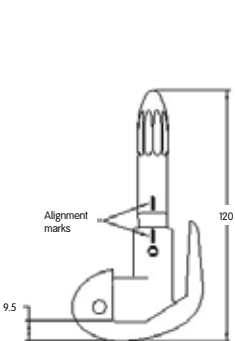


LEGION[◊] HK Implant Component Assembly

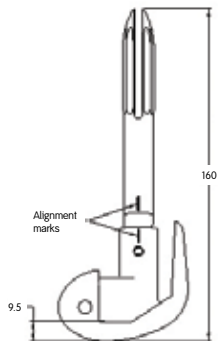


Femoral Stem Configuration

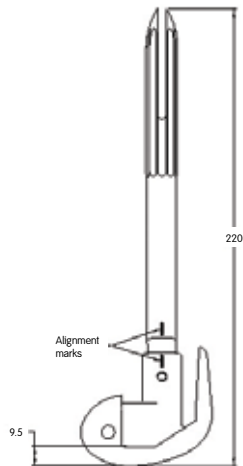
Note: Alignment marks can be used to aid in stem slot orientation in the sagittal plane (tibia) and coronal plane (femur) as shown here if preferred. They are also used to dial in and reference the offset coupler rotation with respect to the femoral and tibial trials. For example, the offset coupler is in the "6 o'clock" position in both the femoral and tibial configurations in this section.



120mm Stem

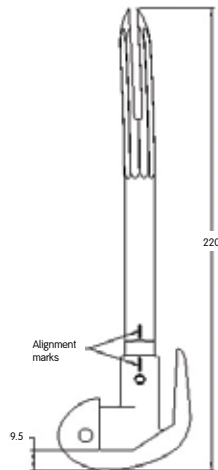


160mm Stem

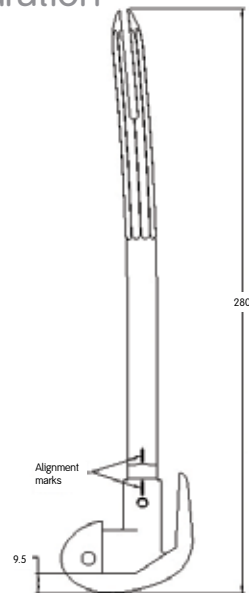


220mm Stem

Bowed Stem Configuration



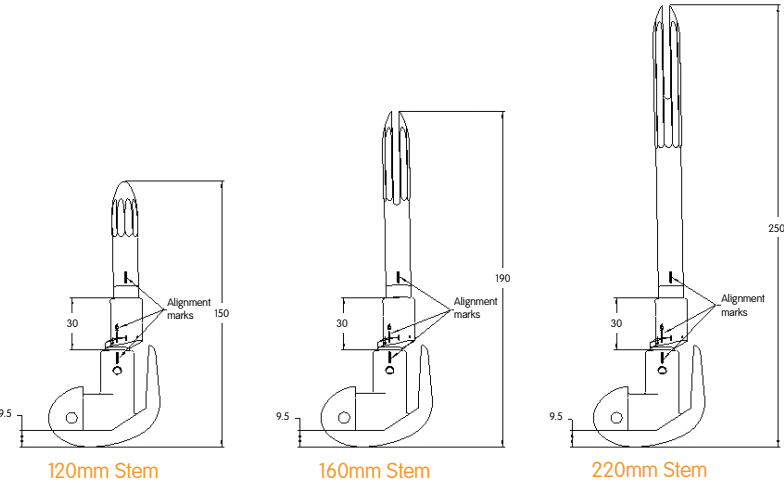
220mm Bowed Stem*



280mm Bowed Stem*

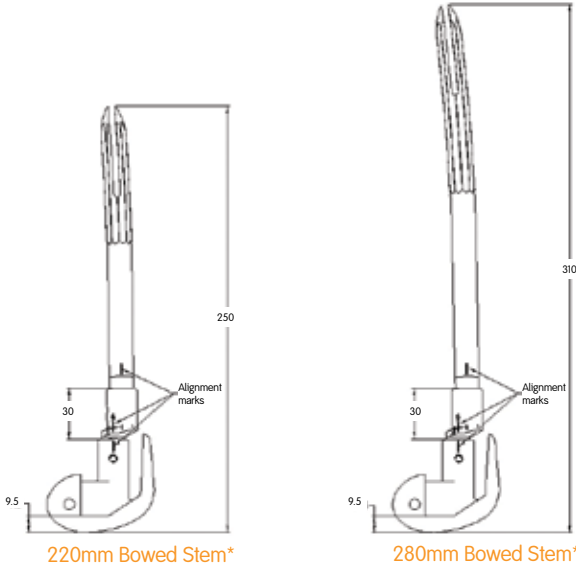
* Not in standard set, limited availability and may vary by country or territory.

Straight Stem with Coupler

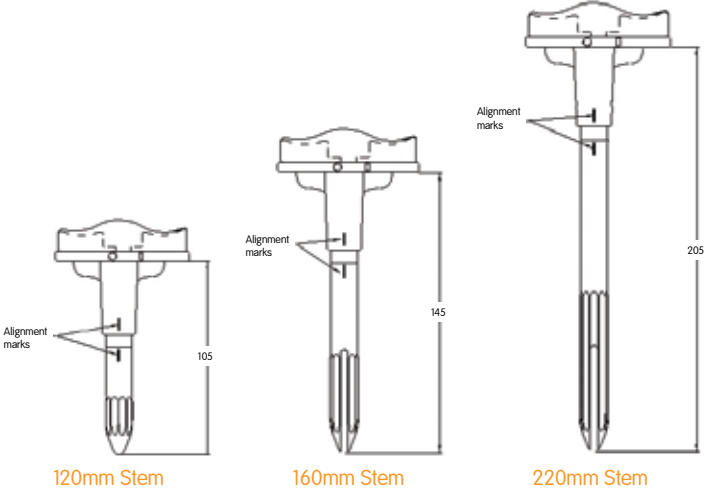


*Not in standard set, limited availability and may vary by country or territory.

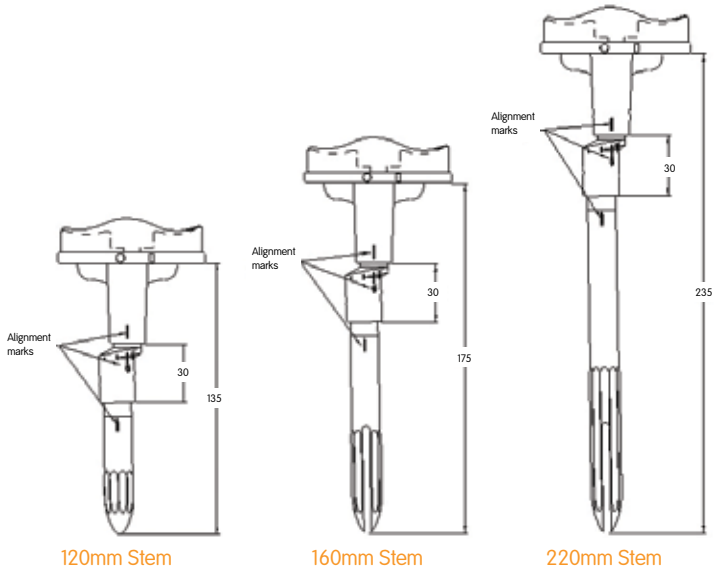
Bowed Stem with Coupler



Tibial Stem Configuration



Tibial Stem with Coupler



LEGION HK Primer

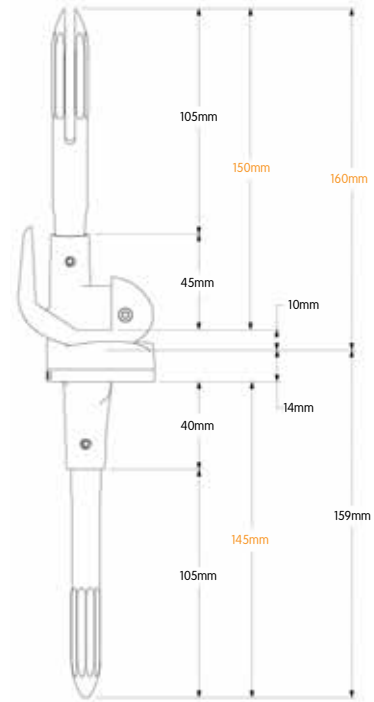
Stem Length Design Rationale

- LEGION® stems were designed for use in multiple scenarios from complex primary through revision and hinge.
- In order to enable alignment of the new construct with the original joint line, stem lengths are measured from the joint line, defined by the distal-most aspect of the articular surface of the femoral component.
- For example, using a stem labeled “160mm” yields a final femoral construct length of 160mm from the joint line to the tip of the stem.
- If an offset coupler is used, the effective stem length is increased by 30mm.
- Same stems are used for the femur and tibia.

Tibial side (shorter taper)

- Tibial taper is 5mm shorter than the femoral taper.
- The shorter taper serves to move offset couplers proximally, mitigating tibial cortex impingement.
- The tibial insert thickness affects the tibial construct length from the joint line to the tip of the tibial stem.
- The shorter tibial taper results in an effective stem length 5mm shorter than labeled, but the insert thickness affects this number as well.
- For example, using a stem labeled “160mm” with an 11mm insert and the thicker hinge baseplate yields a final tibial construct length of 159mm from the joint line to the tip of the stem.
- Reamers are marked to ream from the distal bone interface of the femur plus 20mm extra.
- Reaming to the depth mark on the tibia reams 20mm more, resulting in a net of 25mm extra depth on the tibia.

Final note: there are three key measurements, and they are highlighted in the figure to the right – 160, 150, and 145. These highlight the stem length and the length from the tapers on both the femoral and tibial components into the canal.



LEGION[◇] HK Loaner Kits*

| Kit No. | Contents |
|---------|---|
| 8567 | LEGION HK Right Instrument Set |
| 8566 | LEGION HK Left Instrument Set |
| 9461 | LEGION HK Right Femoral and Tibial Implant Set |
| 9463 | LEGION HK Right Guided Motion Insert Set |
| 9460 | LEGION HK Left Femoral and Tibial Implant Set |
| 9462 | LEGION HK Left Guided Motion Insert Set |
| 9464 | LEGION Hinge Wedge Set |
| 8759 | LEGION HK Size 7 Left Instrument Set |
| 8760 | LEGION HK Size 7 Right Instrument Set |
| 9627 | LEGION HK Size 7 Left Implant Set |
| 9628 | LEGION HK Size 7 Right Implant Set |
| 9466 | LEGION HK Rebuild Kit Implants (link replacement) |

*US loaner kits

When ordering a LEGION HK set, the LEGION HK Femoral and Tibial Wedge set, 9464 will need to be ordered per side.

LEGION HK is an add on to LEGION RK and not a stand-alone set. Both LEGION RK and HK instrument sets must be present for each case.

Femoral Implants

LEGION® Cemented Femoral Components – CR

| Size | CoCr | | OXINIUM® Oxidized Zirconium | |
|------|-----------|-----------|-----------------------------|-----------|
| | Left | Right | Left | Right |
| 2 | 7142-3202 | 7142-3212 | 7142-1232 | 7142-1222 |
| 3N | 7193-3640 | 7193-3644 | 7142-1243 | 7142-1253 |
| 3 | 7142-3203 | 7142-3213 | 7142-1233 | 7142-1223 |
| 4N | 7193-3641 | 7193-3645 | 7142-1244 | 7142-1254 |
| 4 | 7142-3204 | 7142-3214 | 7142-1234 | 7142-1224 |
| 5N | 7193-3642 | 7193-3646 | 7142-1245 | 7142-1255 |
| 5 | 7142-3205 | 7142-3215 | 7142-1235 | 7142-1225 |
| 6N | 7193-3643 | 7193-3647 | 7142-1246 | 7142-1256 |
| 6 | 7142-3206 | 7142-3216 | 7142-1236 | 7142-1226 |
| 7 | 7142-3207 | 7142-3217 | 7142-1237 | 7142-1227 |
| 8 | 7142-3208 | 7142-3218 | 7142-1238 | 7142-1228 |

LEGION Cementless (CoCr) Femoral Components – CR

| Size | Porous without HA coating | | Porous with HA coating | |
|------|---------------------------|-----------|------------------------|-----------|
| | Left | Right | Left | Right |
| 2 | 7142-3242 | 7142-3252 | 7142-5202 | 7142-5212 |
| 3 | 7142-3243 | 7142-3253 | 7142-5203 | 7142-5213 |
| 4 | 7142-3244 | 7142-3254 | 7142-5204 | 7142-5214 |
| 5 | 7142-3245 | 7142-3255 | 7142-5205 | 7142-5215 |
| 6 | 7142-3246 | 7142-3256 | 7142-5206 | 7142-5216 |
| 7 | 7142-3247 | 7142-3257 | 7142-5207 | 7142-5217 |
| 8 | 7142-3248 | 7142-3258 | 7142-5208 | 7142-5218 |

LEGION° Cemented Femoral Components – RK (Revision)

| Size | CoCr | | OXINIUM° Oxidized Zirconium | |
|------|------------|------------|-----------------------------|-----------|
| | Left | Right | Left | Right |
| 2 | 7142-5002* | 7142-6002* | 7142-1162 | 7142-1172 |
| 3 | 7142-5003 | 7142-6003 | 7142-1163 | 7142-1173 |
| 4 | 7142-5004 | 7142-6004 | 7142-1164 | 7142-1174 |
| 5 | 7142-5005 | 7142-6005 | 7142-1165 | 7142-1175 |
| 6 | 7142-5006 | 7142-6006 | 7142-1166 | 7142-1176 |
| 7 | 7142-5007 | 7142-6007 | 7142-1167 | 7142-1177 |
| 8 | 7142-5008 | 7142-6008 | 7142-1168 | 7142-1178 |

*Non-standard, limited availability.

LEGION Cemented Femoral Components – PS

| Size | CoCr | | OXINIUM Oxidized Zirconium | |
|------|-----------|-----------|----------------------------|-----------|
| | Left | Right | Left | Right |
| 2 | 7142-3222 | 7142-3232 | 7142-1212 | 7142-1202 |
| 3N | 7193-3648 | 7193-3652 | 7142-1263 | 7142-1273 |
| 3 | 7142-3223 | 7142-3233 | 7142-1213 | 7142-1203 |
| 4N | 7193-3649 | 7193-3653 | 7142-1264 | 7142-1274 |
| 4 | 7142-3224 | 7142-3234 | 7142-1214 | 7142-1204 |
| 5N | 7193-3650 | 7193-3654 | 7142-1265 | 7142-1275 |
| 5 | 7142-3225 | 7142-3235 | 7142-1215 | 7142-1205 |
| 6N | 7193-3651 | 7193-3655 | 7142-1266 | 7142-1276 |
| 6 | 7142-3226 | 7142-3236 | 7142-1216 | 7142-1206 |
| 7 | 7142-3227 | 7142-3237 | 7142-1217 | 7142-1207 |
| 8 | 7142-3228 | 7142-3238 | 7142-1218 | 7142-1208 |

Inserts

LEGION® (GENESIS® II) CR standard inserts

| Thickness | Sizes 1-2 catalog item | Sizes 3-4 catalog item | Sizes 5-6 catalog item | Sizes 7-8 catalog item |
|-----------|---------------------------|---------------------------|---------------------------|---------------------------|
| 9mm | 7142-0480 | 7142-0490 | 7142-0500 | 7142-0510 |
| 11mm | 7142-0482 | 7142-0492 | 7142-0502 | 7142-0512 |
| 13mm | 7142-0484 | 7142-0494 | 7142-0504 | 7142-0514 |
| 15mm | 7142-0486 | 7142-0496 | 7142-0506 | 7142-0516 |
| 18mm | 7142-0488 | 7142-0498 | 7142-0508 | 7142-0518 |

LEGION (GENESIS II) CR Deep Dish Inserts

| Thickness | Sizes 1-2 catalog item | Sizes 3-4 catalog item | Sizes 5-6 catalog item | Sizes 7-8 catalog item |
|-----------|---------------------------|---------------------------|---------------------------|---------------------------|
| 9mm | 7142-0754 | 7142-0766 | 7142-0778 | 7142-0790 |
| 11mm | 7142-0756 | 7142-0768 | 7142-0780 | 7142-0792 |
| 13mm | 7142-0758 | 7142-0770 | 7142-0782 | 7142-0794 |
| 15mm | 7142-0760 | 7142-0772 | 7142-0784 | 7142-0796 |
| 18mm | 7142-0762 | 7142-0774 | 7142-0786 | 7142-0798 |
| 21mm | 7142-0764 | 7142-0776 | 7142-0788 | 7142-0800 |

LEGION (GENESIS II) Cruciate Retaining High Flex (CRHF)

| Thickness | Sizes 1-2 catalog item | Sizes 3-4 catalog item | Sizes 5-6 catalog item | Sizes 7-8 catalog item |
|-----------|---------------------------|---------------------------|---------------------------|---------------------------|
| 9mm | 7142-1531 | 7142-1536 | 7142-1542 | 7142-1547 |
| 11mm | 7142-1532 | 7142-1537 | 7142-1543 | 7142-1548 |
| 13mm | 7142-1533 | 7142-1538 | 7142-1544 | 7142-1549 |
| 15mm | 7142-1534 | 7142-1539 | 7142-1545 | 7142-1551 |
| 18mm | 7142-1535 | 7142-1541 | 7142-1546 | 7142-1552 |

LEGION® (GENESIS® II) PS Inserts

| Thickness | Sizes 1-2 catalog item | Sizes 3-4 catalog item | Sizes 5-6 catalog item | Sizes 7-8 catalog item |
|-----------|------------------------|------------------------|------------------------|------------------------|
| 9mm | 7142-0802 | 7142-0816 | 7142-0830 | 7142-0844 |
| 11mm | 7142-0804 | 7142-0818 | 7142-0832 | 7142-0846 |
| 13mm | 7142-0806 | 7142-0820 | 7142-0834 | 7142-0848 |
| 15mm | 7142-0808 | 7142-0822 | 7142-0836 | 7142-0850 |
| 18mm | 7142-0810 | 7142-0824 | 7142-0838 | 7142-0852 |
| 21mm | 7142-0812 | 7142-0826 | 7142-0840 | 7142-0854 |
| 25mm | 7142-0814 | 7142-0828 | 7142-0842 | 7142-0856 |

LEGION (GENESIS II) PS High Flex Inserts

| Thickness | Sizes 1-2 catalog item | Sizes 3-4 catalog item | Sizes 5-6 catalog item | Sizes 7-8 catalog item |
|-----------|------------------------|------------------------|------------------------|------------------------|
| 9mm | 7142-1501 | 7142-1508 | 7142-1515 | 7142-1522 |
| 11mm | 7142-1502 | 7142-1509 | 7142-1516 | 7142-1523 |
| 13mm | 7142-1503 | 7142-1510 | 7142-1517 | 7142-1524 |
| 15mm | 7142-1504 | 7142-1511 | 7142-1518 | 7142-1525 |
| 18mm | 7142-1505 | 7142-1512 | 7142-1519 | 7142-1526 |
| 21mm | 7142-1506 | 7142-1513 | 7142-1520 | 7142-1527 |
| 25mm | 7142-1507 | 7142-1514 | 7142-1521 | 7142-1528 |

LEGION PS Constrained Inserts

| Thickness | Sizes 1-2 catalog item | Sizes 3-4 catalog item | Sizes 5-6 catalog item | Sizes 7-8 catalog item |
|-----------|------------------------|------------------------|------------------------|------------------------|
| 9mm | 7142-0959 | 7142-0523 | 7142-0537 | 7142-0551 |
| 11mm | 7142-0960 | 7142-0524 | 7142-0538 | 7142-0552 |
| 13mm | 7142-0962 | 7142-0526 | 7142-0540 | 7142-0554 |
| 15mm | 7142-0964 | 7142-0528 | 7142-0542 | 7142-0556 |
| 18mm | 7142-0966 | 7142-0530 | 7142-0544 | 7142-0558 |
| 21mm | 7142-0968 | 7142-0532 | 7142-0546 | 7142-0560 |
| 25mm | 7142-0970 | 7142-0534 | 7142-0548 | 7142-0562 |
| 30mm | 7142-0972* | 7142-0536* | 7142-0550* | 7142-0564* |

LEGION CR Deep Dish XLPE Inserts

| Thickness | Sizes 1-2 catalog item | Sizes 3-4 catalog item | Sizes 5-6 catalog item | Sizes 7-8 catalog item |
|-----------|------------------------|------------------------|------------------------|------------------------|
| 9mm | 7145-3271 | 7145-3277 | 7145-3284 | 7145-3291 |
| 11mm | 7145-3272 | 7145-3278 | 7145-3285 | 7145-3292 |
| 13mm | 7145-3273 | 7145-3279 | 7145-3286 | 7145-3293 |
| 15mm | 7145-3274 | 7145-3281 | 7145-3287 | 7145-3294 |
| 18mm | 7145-3275 | 7145-3282 | 7145-3288 | 7145-3295 |
| 21mm | 7145-3276 | 7145-3283 | 7145-3289 | 7145-3296 |

*Non-standard, limited availability.

Inserts (continued)

LEGION® PS High Flex XLPE Inserts

| Thickness | Sizes 1-2 catalog item | Sizes 3-4 catalog item | Sizes 5-6 catalog item | Sizes 7-8 catalog item |
|-----------|------------------------|------------------------|------------------------|------------------------|
| 9mm | 7145-3201 | 7145-3211 | 7145-3221 | 7145-3231 |
| 10mm | 7145-3171 | 7145-3173 | 7145-3175 | 7145-3177 |
| 11mm | 7145-3202 | 7145-3212 | 7145-3222 | 7145-3232 |
| 12mm | 7145-3172 | 7145-3174 | 7145-3176 | 7145-3178 |
| 13mm | 7145-3203 | 7145-3213 | 7145-3223 | 7145-3233 |
| 15mm | 7145-3204 | 7145-3214 | 7145-3224 | 7145-3234 |
| 18mm | 7145-3205 | 7145-3215 | 7145-3225 | 7145-3235 |
| 21mm | 7145-3206 | 7145-3216 | 7145-3226 | 7145-3236 |
| 25mm | 7145-3207 | 7145-3217 | 7145-3227 | 7145-3237 |

LEGION PS XLPE Inserts

| Thickness | Sizes 1-2 catalog item | Sizes 3-4 catalog item | Sizes 5-6 catalog item | Sizes 7-8 catalog item |
|-----------|------------------------|------------------------|------------------------|------------------------|
| 9mm | 7145-3241 | 7145-3246 | 7145-3252 | 7145-3257 |
| 11mm | 7145-3242 | 7145-3247 | 7145-3253 | 7145-3258 |
| 13mm | 7145-3243 | 7145-3248 | 7145-3254 | 7145-3259 |
| 15mm | 7145-3244 | 7145-3249 | 7145-3255 | 7145-3261 |
| 18mm | 7145-3245 | 7145-3251 | 7145-3256 | 7145-3262 |

LEGION CR High Flex XLPE inserts

| Thickness | Sizes 1-2 catalog item | Sizes 3-4 catalog item | Sizes 5-6 catalog item | Sizes 7-8 catalog item |
|-----------|------------------------|------------------------|------------------------|------------------------|
| 9mm | 7145-3101 | 7145-3111 | 7145-3121 | 7145-3131 |
| 10mm | 7145-3181 | 7145-3183 | 7145-3185 | 7145-3187 |
| 11mm | 7145-3102 | 7145-3112 | 7145-3122 | 7145-3132 |
| 12mm | 7145-3182 | 7145-3184 | 7145-3186 | 7145-3188 |
| 13mm | 7145-3103 | 7145-3113 | 7145-3123 | 7145-3133 |
| 15mm | 7145-3104 | 7145-3114 | 7145-3124 | 7145-3134 |
| 18mm | 7145-3105 | 7145-3115 | 7145-3125 | 7145-3135 |

LEGION CR XLPE Inserts

| Thickness | Sizes 1-2 catalog item | Sizes 3-4 catalog item | Sizes 5-6 catalog item | Sizes 7-8 catalog item |
|-----------|------------------------|------------------------|------------------------|------------------------|
| 9mm | 7145-3141 | 7145-3146 | 7145-3152 | 7145-3157 |
| 11mm | 7145-3142 | 7145-3147 | 7145-3153 | 7145-3158 |
| 13mm | 7145-3143 | 7145-3148 | 7145-3154 | 7145-3159 |
| 15mm | 7145-3144 | 7145-3149 | 7145-3155 | 7145-3161 |
| 18mm | 7145-3145 | 7145-3151 | 7145-3156 | 7145-3162 |

Patellas

GENESIS® II Patella, Biconvex

| Catalog item | Size |
|--------------|------|
| 7142-0566 | 23mm |
| 7142-0568 | 26mm |
| 7142-0570 | 29mm |
| 7142-0572 | 32mm |

GENESIS II Patella, Resurfacing

| Catalog item | Size |
|--------------|------|
| 7142-0574 | 29mm |
| 7142-0576 | 32mm |
| 7142-0578 | 35mm |
| 7142-0580 | 26mm |

GENESIS II Patella, Oval Resurfacing

| Catalog item | Size |
|--------------|------|
| 7142-1029 | 29mm |
| 7142-1032 | 32mm |
| 7142-1035 | 35mm |
| 7142-1038 | 38mm |
| 7142-1041 | 41mm |

GENESIS II 7.5MM Patella, Resurfacing*

| Catalog item | Size |
|--------------|------|
| 7193-2634 | 26mm |
| 7193-2635 | 29mm |
| 7193-2636 | 32mm |
| 7193-2637 | 35mm |

*Only available in US and Israel

Femoral Wedges

LEGION® RK Distal Femoral Wedge

| Catalog item | Description |
|--------------|----------------|
| 7142-1654 | Sizes 2-8, 5mm |
| 7142-1657 | |
| 7142-1661 | |
| 7142-1664 | |
| 7142-1667 | |
| 7142-1671 | |
| 7142-1674 | |
| 7142-1655 | |
| 7142-1658 | |
| 7142-1662 | |
| 7142-1665 | |
| 7142-1668 | |
| 7142-1672 | |
| 7142-1675 | |

| Catalog item | Description |
|--------------|-----------------|
| 7142-1656 | Sizes 2-8, 15mm |
| 7142-1659 | |
| 7142-1663 | |
| 7142-1666 | |
| 7142-1669 | |
| 7142-1673 | |
| 7142-1676 | |

Femoral Wedges (continued)

LEGION® RK L-Wedge

| Catalog item | Description |
|--------------|---|
| 7142-1711 | Sizes 2-8, 5mm Distal x 5mm Posterior |
| 7142-1721 | |
| 7142-1731 | |
| 7142-1741 | |
| 7142-1751 | |
| 7142-1761 | |
| 7142-1771 | |
| 7142-1722 | Sizes 3-8, 5mm Distal x 10mm Posterior |
| 7142-1732 | |
| 7142-1742 | |
| 7142-1752 | |
| 7142-1762 | |
| 7142-1772 | |

| Catalog item | Description |
|--------------|--|
| 7142-1713 | Sizes 2-8, 10mm Distal x 5mm Posterior |
| 7142-1723 | |
| 7142-1733 | |
| 7142-1743 | |
| 7142-1753 | |
| 7142-1763 | |
| 7142-1773 | |
| 7142-1724 | Sizes 3-8, 10mm Distal x 10mm Posterior |
| 7142-1734 | |
| 7142-1744 | |
| 7142-1754 | |
| 7142-1764 | |
| 7142-1774 | |

| Catalog item | Description |
|--------------|--|
| 7142-1715 | Sizes 2-8, 15mm Distal x 5mm Posterior |
| 7142-1725 | |
| 7142-1735 | |
| 7142-1745 | |
| 7142-1755 | |
| 7142-1765 | |
| 7142-1775 | |
| 7142-1726 | Sizes 3-8, 15mm Distal x 10mm Posterior |
| 7142-1736 | |
| 7142-1746 | |
| 7142-1756 | |
| 7142-1766 | |
| 7142-1776 | |

LEGION® RK Posterior Femoral Wedge

| Catalog item | Size | Length |
|--------------|-----------|--------|
| 7142-1801 | Sizes 1-2 | 5mm |
| 7142-1802 | Sizes 1-2 | 10mm |
| 7142-1803 | Sizes 3-4 | 5mm |
| 7142-1804 | Sizes 3-4 | 10mm |
| 7142-1805 | Sizes 5-6 | 5mm |
| 7142-1806 | Sizes 5-6 | 10mm |
| 7142-1807 | Sizes 7-8 | 5mm |
| 7142-1808 | Sizes 7-8 | 10mm |

LEGION Screws

| Catalog item | Description |
|--------------|----------------------------|
| 7142-1698 | 5Mm Distal Wedge Screw |
| 7142-1699 | 10Mm Distal Wedge Screw |
| 7142-1670 | 15Mm Distal Wedge Screw |
| 7142-1827 | 5Mm Posterior Wedge Screw |
| 7142-1828 | 10Mm Posterior Wedge Screw |
| 7142-4228 | Locking Set Screw |

Tibial Baseplates

LEGION° Cemented Tibial Baseplate – Male tapered

| Size | Left catalog item | Right catalog item |
|------|-------------------|--------------------|
| 1 | 7142-0160 | 7142-0176 |
| 2 | 7142-0162 | 7142-0180 |
| 3 | 7142-0164 | 7142-0182 |
| 4 | 7142-0166 | 7142-0184 |
| 5 | 7142-0168 | 7142-0186 |
| 6 | 7142-0170 | 7142-0188 |
| 7 | 7142-0172 | 7142-0190 |
| 8 | 7142-0174 | 7142-0191 |

LEGION RK Cemented Tibial Baseplate – Female tapered

| | | |
|---|------------|------------|
| 1 | 7142-4001* | 7142-4011* |
| 2 | 7142-4002 | 7142-4012 |
| 3 | 7142-4003 | 7142-4013 |
| 4 | 7142-4004 | 7142-4014 |
| 5 | 7142-4005 | 7142-4015 |
| 6 | 7142-4006 | 7142-4016 |
| 7 | 7142-4007 | 7142-4017 |
| 8 | 7142-4008 | 7142-4018 |

*Not in standard set, limited availability.

Tibial Wedges

LEGION® RK 5mm Hemi-Stepped Tibial Wedge

| Catalog item | Description | Catalog item | Description |
|--------------|---------------------------|--------------|---------------------------|
| 7142-1141 | Sizes 1-2, 3-4, 5-6, 7-8 | 7142-1145 | Sizes 1-2, 3-4, 5-6, 7-8 |
| 7142-1142 | Left-Medial/Right-Lateral | 7142-1146 | Left-Lateral/Right-Medial |
| 7142-1143 | | | |
| 7142-1144 | | | |

LEGION RK 10mm Hemi-Stepped Tibial Wedge

| Catalog item | Description | Catalog item | Description |
|--------------|---------------------------|--------------|---------------------------|
| 7142-3033 | Sizes 1-2, 3-4, 5-6, 7-8 | 7142-3037 | Sizes 1-2, 3-4, 5-6, 7-8 |
| 7142-3034 | Left-Medial/Right-Lateral | 7142-3038 | Left-Lateral/Right-Medial |
| 7142-3035 | | | |
| 7142-3036 | | | |

LEGION RK 15mm Hemi-Stepped Tibial Wedge

| Catalog item | Description | Catalog item | Description |
|--------------|---------------------------|--------------|---------------------------|
| 7142-3041 | Sizes 1-2, 3-4, 5-6, 7-8 | 7142-3045 | Sizes 1-2, 3-4, 5-6, 7-8 |
| 7142-3042 | Left-Medial/Right-Lateral | 7142-3046 | Left-Lateral/Right-Medial |
| 7142-3043 | | | |
| 7142-3044 | | | |

LEGION RK Full-Stepped Tibial Wedge

| Catalog item | Description | Catalog item | Description |
|--------------|--------------------------|--------------|--------------------------|
| 7142-3057 | Sizes 1-2, 3-4, 5-6, 7-8 | 7142-3061 | Sizes 1-2, 3-4, 5-6, 7-8 |
| 7142-3058 | 10mm | 7142-3062 | 15mm |
| 7142-3059 | | | |
| 7142-3060 | | | |

LEGION RK Screws

| Catalog item | Description |
|--------------|--------------------|
| 7142-3097 | Tibial Wedge Screw |

Stems

LEGION® Press-Fit Stems

| Stem Diameter | 120mm Catalog item | 160mm Catalog item | 220mm Straight Catalog item | 220mm Bowed Catalog item** | 280mm Bowed Catalog item** |
|---------------|--------------------|--------------------|-----------------------------|----------------------------|----------------------------|
| 9mm | 7142-4022* | 7142-4042* | N/A | N/A | N/A |
| 10mm | 7142-4023 | 7142-4043 | 7142-4063 | 7142-4083 | 7142-4103 |
| 11mm | 7142-4024 | 7142-4044 | 7142-4064* | 7142-4084 | 7142-4104 |
| 12mm | 7142-4025 | 7142-4045 | 7142-4065 | 7142-4085 | 7142-4105 |
| 13mm | 7142-4026 | 7142-4046 | 7142-4066* | 7142-4086 | 7142-4106 |
| 14mm | 7142-4027 | 7142-4047 | 7142-4067 | 7142-4087 | 7142-4107 |
| 15mm | 7142-4028 | 7142-4048 | 7142-4068* | 7142-4088 | 7142-4108 |
| 16mm | 7142-4029 | 7142-4049 | 7142-4069 | 7142-4089 | 7142-4109 |
| 18mm | 7142-4031 | 7142-4051 | 7142-4071 | 7142-4091 | 7142-4111 |
| 20mm | 7142-4033 | 7142-4053 | 7142-4073 | 7142-4093 | 7142-4113 |
| 22mm | 7142-4035* | 7142-4055 | 7142-4075* | 7142-4095 | 7142-4115 |
| 24mm | 7142-4037* | 7142-4057* | 7142-4077* | 7142-4097 | 7142-4117 |

* Not in standard set, limited availability.

** Not in standard set, limited availability and may vary by country or territory.

LEGION Cemented Stems

| Stem diameter | 120mm Catalog item | 160mm Catalog item |
|---------------|--------------------|--------------------|
| 10mm | 7142-4182 | 7142-4202 |
| 12mm | 7142-4184 | 7142-4204 |
| 14mm | 7142-4186 | 7142-4206 |
| 16mm | 7142-4188 | 7142-4208 |
| 18mm | 7142-4190 | 7142-4210 |
| 20mm | 7142-4192 | 7142-4212 |

GENESIS® II Stems

| Stem diameter | Catalog item – 100mm | Catalog item – 150mm |
|---------------|----------------------|----------------------|
| 10mm | 7142-0628 | 7142-0647 |
| 12mm | 7142-0630 | 7142-0649 |
| 14mm | 7142-0632 | 7142-0648 |
| 16mm | 7142-0634 | 7142-0650 |
| 18mm | 7142-0636 | |
| 20mm | 7142-0638 | |
| 22mm | 7142-0640 | |
| 24mm | 7142-0642 | |

GENESIS II REVISION Press-Fit Stem

| Stem diameter | Catalog item – 100mm | Catalog item – 150mm |
|---------------|----------------------|----------------------|
| 10mm | 7142-1310 | 7142-1318 |
| 12mm | 7142-1312 | 7142-1320 |
| 14mm | 7142-1314 | 7142-1322 |
| 16mm | 7142-1316 | 7142-1324 |

GENESIS II Tibia Offset Couplers

| Catalog item | Description |
|--------------|-----------------------------------|
| 7142-2002 | GENESIS II 2mm Tib offset coupler |
| 7142-2004 | GENESIS II 4mm Tib offset coupler |

LEGION® Stem Extensions and Offset Couplers

| Catalog item | Description |
|--------------|------------------------------|
| 7142-4163 | Short Stem Extension 12 x 80 |
| 7142-4221* | Offset Coupler Angled |
| 7142-4223 | Offset Coupler + 2mm |
| 7142-4225 | Offset Coupler + 4mm |
| 7142-4227 | Offset Coupler + 6mm |

Impactor Sleeves for the Offset Couplers and Cemented Stems*

| Catalog item | Description |
|--------------|-----------------------------|
| 7143-4270 | Size 9-12 |
| 7143-4271 | Size 13-18 (Offset Coupler) |
| 7143-4272 | Size 20-24 |

*Use only on Cemented Stems & Offset Couplers, single use

LEGION Male-To-Male Couplers*

| Catalog item | Description |
|--------------|---|
| 7193-3693 | LEGION Male-to-Male Mini Coupler 2mm |
| 7193-3694 | LEGION Male-to-Male Mini Coupler 4mm |
| 7193-3695 | LEGION Male-to-Male Mini Coupler 6mm |
| 7193-3696 | LEGION Male-to-Male Mini Coupler Trial 2mm |
| 7193-3697 | LEGION Male-to-Male Mini Coupler Trial 4mm |
| 7193-3698 | LEGION Male-to-Male Mini Coupler Trial 6mm |
| 7193-K178 | LEGION Male-to-Male Mini Coupler Set (includes implants and trials) |

*Not in standard set, limited availability and may vary by country or territory.

Cement and Sawblades

Cement Item Numbers and Descriptions

| Catalog Item | Description | |
|--------------|-----------------------|----------------------------|
| 7127-1340 | VERSABOND° 40 Gram | Without antibiotic |
| 7127-1440 | VERSABOND AB 40 Grams | With Gentamicin antibiotic |

Sawblade Item Numbers and Conversion Chart

| Catalog Item | Current description | Future description |
|--------------|-------------------------------|--|
| 111754 | Thin Osteotome Blade 15mm | Osteotome Blade, 15mm |
| 111755 | Thin Osteotome Blade 17.5mm | Osteotome Blade, 17mm |
| 111756 | Thin Osteotome Blade 20mm | Osteotome Blade, 20mm |
| 7151-2901 | Pro Sawblade-Stry 2000 Fanned | Oscillating Sawblade, 1.37mm, Fanned, Stry 2000 |
| 7151-2903 | Pro Hall 3/4 Fan Sawblade | Oscillating Sawblade, 1.37mm, Fanned, Hall 3/4 |
| 7151-2904 | PROFIX° Sawblade-3M Fanned | Oscillating Sawblade, 1.37mm, Fanned, 3M |
| 7151-2905 | Pro Saw Stryker 2000 Straight | Oscillating Sawblade, 1.37mm, Narrow, Stryker 2000 |
| 7151-2906 | Pro Saw-Stry Old Style Str | Oscillating Sawblade, 1.37mm, Narrow, Stryker Ort |
| 7151-2907 | Pro Hall 1/2 Str Sawblade | Oscillating Sawblade, 1.37mm, Narrow, Hall 1/2 |

| Catalog Item | Current description | Future description |
|--------------|--|--|
| 7151-2908 | Pro Sawblade 3M Straight | Oscillating Sawblade, 1.37mm, Narrow, 3M |
| 111715 | Richards Thin Blade Osteotom | Osteotome Blade, Thin, Richards |
| 111716 | Thin Osteotome Blade 12.5mm | Osteotome Blade, 12.5mm |
| 111753 | Thin Osteotome Blade 10mm | Osteotome Blade, 10mm |
| 7151-2911 | PROFIX Powerpro Sawblade | Oscillating Sawblade, 1.37mm, Fanned, Powerpro |
| 7144-0397 | GENESIS° II Stryker 2000 Fanned Sawblade | Oscillating Sawblade, 1.27mm, Fanned, Stryker 2000 |
| 7144-0382 | I Hall Fanned Sawblade | Oscillating Sawblade, 1.27mm, Fanned, Hall |
| 7144-0365 | GENESIS II Powerpro Fanned Sawblade | Oscillating Sawblade, 1.27mm, Fanned, Powerpro |
| 7144-0367 | GENESIS II Powerpro Narrow Sawblade | Oscillating Sawblade, 1.27mm, Narrow, Powerpro |

Sawblade Item Numbers and Conversion Chart

| Catalog Item | Current Description | Future Description |
|--------------|-------------------------------------|---|
| 7144-0374 | GENESIS [®] II 3M Sawblade | Oscillating Sawblade, 1.27mm, Wide, 3M |
| 7144-0375 | GENESIS II New Stryker Sawblade | Oscillating Sawblade, 1.27mm, Wide, Stryker |
| 7144-0378 | GENESIS II Hall Sawblade | Oscillating Sawblade, 1.27mm, Wide, Hall |
| 7144-0383 | GENESIS II Small Zimmer Sawblade | Oscillating Sawblade, 1.27mm, Narrow, Hall |
| 7144-0389 | GENESIS II Sm New Stryker Sawbl | Oscillating Sawblade, 1.27mm, Narrow, Stryker |
| 7144-0393 | GENESIS II Powerpro Saw Blade | Oscillating Sawblade, 1.27mm, Wide, Powerpro |
| 114542 | New Attach Am/Hall Blade | Sawblade Attach, Am/Hall |
| 114549 | New Attach Stryker Blade | Sawblade Attach, Stryker |
| 7144-1570 | Strkr Recip Blade Double Sided | Reciprocating Blade Double Sided, Stryker |
| 7144-1573 | Strkr Recip Blade Single Sided | Reciprocating Blade Single Sided, Stryker |
| 7144-1574 | Hall Recip Blade Single Sided | Reciprocating Blade Single Sided, Hall |

Femoral Implants

LEGION® HK Cemented Femoral Assemblies*

| Size | Left | Right |
|------|-----------|-----------|
| 3 | 7142-1373 | 7142-1363 |
| 4 | 7142-1374 | 7142-1364 |
| 5 | 7142-1375 | 7142-1365 |
| 7 | 7142-1377 | 7142-1367 |

Tibial Implants

LEGION HK Cemented Tibial Baseplate – Female tapered*

| Size | Left | Right |
|------|-----------|-----------|
| 2 | 7142-1302 | 7142-1902 |
| 3 | 7142-1303 | 7142-1903 |
| 4 | 7142-1304 | 7142-1904 |
| 5 | 7142-1305 | 7142-1905 |
| 7 | 7142-1307 | 7142-1907 |

Bolt and Sleeve Implants

LEGION HK Bolt and Sleeve

| Length (mm) | |
|-------------|-----------|
| 11 | 7142-1385 |
| 13 | 7142-1386 |
| 15 | 7142-1387 |
| 18 | 7142-1388 |
| 21 | 7142-1389 |

Inserts

LEGION HK Guided Motion (GM) Tibial Inserts

| Thickness (mm) | Sizes 2-3, R | Sizes 4-5, R | Sizes 6* -7, R | Sizes 2-3, L | Sizes 4-5, L | Sizes 6* -7, L |
|----------------|--------------|--------------|----------------|--------------|--------------|----------------|
| 11 | 7142-3342 | 7142-3353 | 7142-3364 | 7142-3341 | 7142-3352 | 7142-3363 |
| 13 | 7142-3344 | 7142-3355 | 7142-3366 | 7142-3343 | 7142-3354 | 7142-3365 |
| 15 | 7142-3346 | 7142-3357 | 7142-3368 | 7142-3345 | 7142-3356 | 7142-3367 |
| 18 | 7142-3348 | 7142-3359 | 7142-3371 | 7142-3347 | 7142-3358 | 7142-3369 |
| 21 | 7142-3351 | 7142-3362 | 7142-3373 | 7142-3349 | 7142-3361 | 7142-3372 |

*Size 6 femur and tibia are not available.

Femoral Wedges

LEGION® HK Distal Femoral Wedges

| Thickness (mm) | Size 3 | Size 4 | Size 5 | Size 7 |
|----------------|-----------|-----------|-----------|-----------|
| 5 | 7142-2153 | 7142-2156 | 7142-2159 | 7142-2166 |
| 10 | 7142-2154 | 7142-2157 | 7142-2161 | 7142-2167 |
| 15 | 7142-2155 | 7142-2158 | 7142-2162 | 7142-2168 |
| 20 | 7142-2103 | 7142-2104 | 7142-2105 | 7142-2107 |

Tibial Wedges

LEGION RK/HK Full-Stepped Tibial Wedges

| Thickness (mm) | Size 1-2 | Size 3-4 | Size 5-6 | Size 7 |
|----------------|-----------|-----------|-----------|-----------|
| 10 | 7142-3073 | 7142-3074 | 7142-3075 | 7142-3076 |
| 15 | 7142-3077 | 7142-3078 | 7142-3079 | 7142-3080 |

LEGION Screws

| Catalog item | Description |
|--------------|--------------------|
| 7142-3097 | Tibial Wedge Screw |

Tibial Wedges

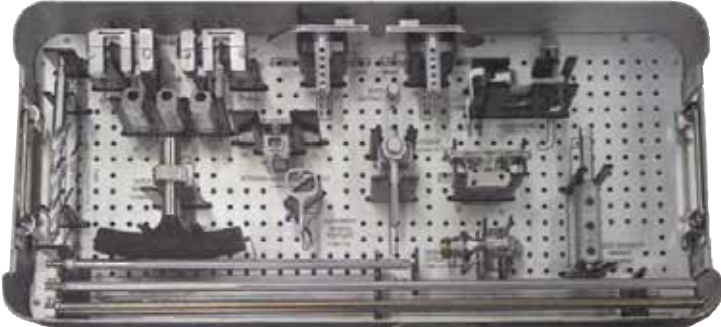
LEGION RK/HK Hemi-Stepped Tibial Wedge

| Thickness (mm) | Size 1-2 LL/RM | Size 1-2 LM/RL | Size 3-4 LL/RM | Size 3-4 LM/RL | Size 5-6 LL/RM | Size 5-6 LM/RL | Size 7-8* LL/RM | Size 7-8* LM/RL |
|----------------|----------------|----------------|----------------|----------------|----------------|----------------|-----------------|-----------------|
| 5 | 7142-3417 | 7142-3429 | 7142-3420 | 7142-3432 | 7142-3423 | 7142-3435 | 7142-3426 | 7142-3438 |
| 10 | 7142-3418 | 7142-3430 | 7142-3421 | 7142-3433 | 7142-3424 | 7142-3436 | 7142-3427 | 7142-3439 |
| 15 | 7142-3419 | 7142-3431 | 7142-3422 | 7142-3434 | 7142-3425 | 7142-3437 | 7142-3428 | 7142-3440 |

*LEGION HK: Size 8 femur and tibia are not available

GENESIS[®] II Instrumentation

Trays #7144-3106 ACF Femoral Instruments and #7144-1244 ACF MIS Femoral CR Blocks and Trials



Tray #7144-3106 ACF Femoral Instruments

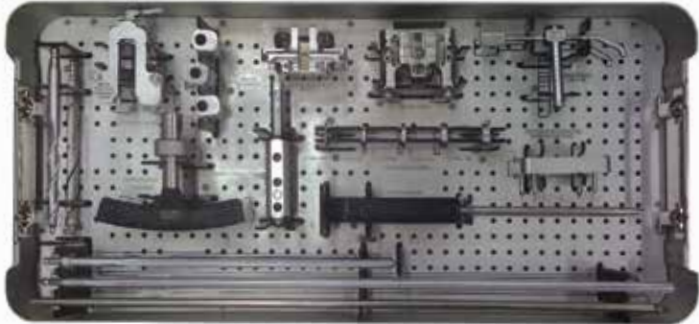
| Catalog Item | Description |
|--------------|--|
| 114861 | Extramedullary Alignment Rod |
| 7111-0080 | Intramedullary Rod Modular T-Handle |
| 7144-0002 | Femoral Intramedullary Drill 9.5mm |
| 7144-0004 | Intramedullary Rod 16 inch |
| 7144-0006 | Intramedullary Rod 8 inch |
| 7144-0014 | Valgus Bushing 5° |
| 7144-0016 | Valgus Bushing 6° |
| 7144-0018 | Valgus Bushing 7° |
| 7144-0044 | Quick Connect Handles |
| 7144-1111 | GENESIS II Femoral Valgus Alignment Guide LT |
| 7144-1112 | GENESIS II Femoral Valgus Alignment Guide RT |
| 7144-1113 | GENESIS II Femoral Sizing Guide |
| 7144-1115 | GENESIS II Anterior Resection Stylus |
| 7144-1116 | GENESIS II Anterior Femoral Cutting Guide LT |
| 7144-1117 | GENESIS II Anterior Femoral Cutting Guide RT |
| 7144-1118 | GENESIS II Distal Femoral Cutting Block |
| 7144-1141 | GENESIS II Femoral Alignment Template |
| 7144-1161 | GENESIS II Distal Femoral Stylus |
| 7144-1163 | Rotation Alignment Paddles |

Tray #7144-1244 ACF Cutting Blocks and Femoral Trials Sizes 3-8

| Catalog Item | Description |
|--------------|--|
| 7144-1121 | ACF A/P Cutting Block, Size 3 |
| 7144-1122 | ACF A/P Cutting Block, Size 4 |
| 7144-1123 | ACF A/P Cutting Block, Size 5 |
| 7144-1124 | ACF A/P Cutting Block, Size 6 |
| 7144-1125 | ACF A/P Cutting Block, Size 7 |
| 7144-1126 | ACF A/P Cutting Block, Size 8 |
| 7143-0020 | Nonporous CR Femoral Trial, Size 3 Right |
| 7143-0022 | Nonporous CR Femoral Trial, Size 4 Right |
| 7143-0024 | Nonporous CR Femoral Trial, Size 5 Right |
| 7143-0026 | Nonporous CR Femoral Trial, Size 6 Right |
| 7143-0028 | Nonporous CR Femoral Trial, Size 7 Right |
| 7143-0030 | Nonporous CR Femoral Trial, Size 8 Right |
| 7143-0004 | Nonporous CR Femoral Trial, Size 3 Left |
| 7143-0006 | Nonporous CR Femoral Trial, Size 4 Left |
| 7143-0008 | Nonporous CR Femoral Trial, Size 5 Left |
| 7143-0010 | Nonporous CR Femoral Trial, Size 6 Left |
| 7143-0012 | Nonporous CR Femoral Trial, Size 7 Left |
| 7143-0014 | Nonporous CR Femoral Trial, Size 8 Left |

GENESIS[®] II Instrumentation

Trays #7144-3108 DCF Femoral Instruments and #7144-1246 DCF Cutting Blocks and Femoral Trials Sizes 3-8



Tray #7144-3108 DCF Femoral Instruments

| Catalog Item | Description |
|--------------|---|
| 114861 | Extramedullary Alignment Rod |
| 7111-0080 | Intramedullary Rod Modular T-Handle |
| 7144-0002 | Femoral Intramedullary Drill 9.5mm |
| 7144-0004 | Intramedullary Rod 16 inch |
| 7144-0006 | Intramedullary Rod 8 inch |
| 7144-0014 | Valgus Bushing 5° |
| 7144-0016 | Valgus Bushing 6° |
| 7144-0018 | Valgus Bushing 7° |
| 7144-0044 | Quick Connect Handles |
| 115035 | Hex Screwdriver |
| 7144-1144 | GENESIS® II DCF Alignment Guide |
| 7144-1233 | GENESIS II DCF Sizing Guide |
| 7144-1147 | GENESIS II Distal Femoral Cutting Block |
| 7144-1140 | Femoral Sizing Guide Stylus |
| 7144-0860 | Posterior Referencing Downsizing Shim |
| 7144-1164 | Sizing Guide Shim 1mm |
| 7144-1165 | Sizing Guide Shim 2mm |
| 7144-1166 | Sizing Guide Shim 3mm |
| 7144-1167 | Sizing Guide Shim 4mm |
| 7144-1168 | Sizing Guide Shim 5mm |

Tray #7144-1246 DCF Cutting Blocks and Femoral Trials Sizes 3-8

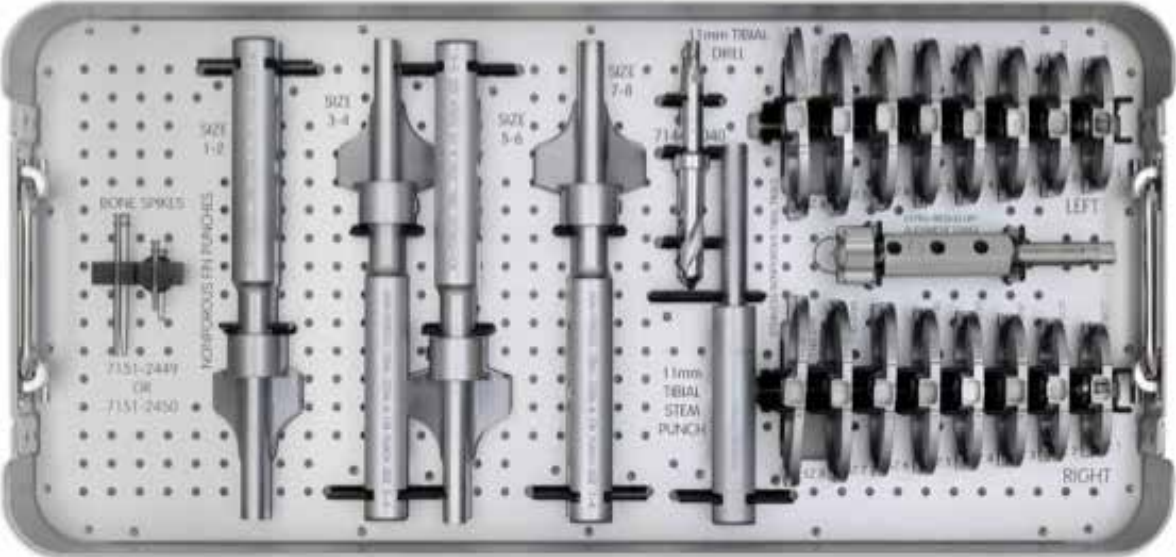
| Catalog Item | Description |
|--------------|--|
| 7144-1151 | DCF A/P Cutting Block, Size 3 |
| 7144-1152 | DCF A/P Cutting Block, Size 4 |
| 7144-1153 | DCF A/P Cutting Block, Size 5 |
| 7144-1154 | DCF A/P Cutting Block, Size 6 |
| 7144-1155 | DCF A/P Cutting Block, Size 7 |
| 7144-1156 | DCF A/P Cutting Block, Size 8 |
| 7143-0020 | Nonporous CR Femoral Trial, Size 3 Right |
| 7143-0022 | Nonporous CR Femoral Trial, Size 4 Right |
| 7143-0024 | Nonporous CR Femoral Trial, Size 5 Right |
| 7143-0026 | Nonporous CR Femoral Trial, Size 6 Right |
| 7143-0028 | Nonporous CR Femoral Trial, Size 7 Right |
| 7143-0030 | Nonporous CR Femoral Trial, Size 8 Right |
| 7143-0004 | Nonporous CR Femoral Trial, Size 3 Left |
| 7143-0006 | Nonporous CR Femoral Trial, Size 4 Left |
| 7143-0008 | Nonporous CR Femoral Trial, Size 5 Left |
| 7143-0010 | Nonporous CR Femoral Trial, Size 6 Left |
| 7143-0012 | Nonporous CR Femoral Trial, Size 7 Left |
| 7143-0014 | Nonporous CR Femoral Trial, Size 8 Left |

Tray #7144-3112 Tibial Instruments Tray (Top)

| Catalog Item | Description |
|--------------|---|
| 7144-0448 | GENESIS [®] II Tibial Alignment Tube |
| 7144-0198 | GENESIS II Tibial Align Spiked Fix Rod |
| 7144-0444 | GENESIS II Adjustable Ankle Clamp |
| 7144-0446 | GENESIS II Nonspiked Fixation Rod |
| 7144-1136 | GENESIS II MIS Slit 3 MO Tibial Cutting Block Left |
| 7144-1137 | GENESIS II MIS Slit 3 MO Tibial Cutting Block Right |
| 7144-0200 | GENESIS II Intramedullary Tibial Alignment |
| 7144-1143 | GENESIS II MIS Tibial Stylus |
| 7144-1148 | GENESIS II MIS Tibial Block Align Rod |

GENESIS[®] II Instrumentation

Tray #7144-3112 Tibial Instruments Tray (Bottom)



Tray #7144-3112 Tibial Instruments Tray (Bottom)

| Catalog Item | Description |
|--------------|--|
| 7144-9991 | GENESIS [®] II NP Fin-Stem Punch Size 1-2 |
| 7144-9993 | GENESIS II NP Fin-Stem Punch Size 3-4 |
| 7144-9995 | GENESIS II NP Fin-Stem Punch Size 5-6 |
| 7144-9997 | GENESIS II NP Fin-Stem Punch Size 7-8 |
| 7144-0040 | GENESIS II 11mm Tibial Drill |
| 7144-0262 | GENESIS II Tibial Stem Punch 11mm |
| 7143-0161 | GENESIS II Stemless Tibial Trial Size 1 Left |
| 7143-0163 | GENESIS II Stemless Tibial Trial Size 2 Left |
| 7143-0165 | GENESIS II Stemless Tibial Trial Size 3 Left |
| 7143-0167 | GENESIS II Stemless Tibial Trial Size 4 Left |
| 7143-0169 | GENESIS II Stemless Tibial Trial Size 5 Left |
| 7143-0171 | GENESIS II Stemless Tibial Trial Size 6 Left |
| 7143-0173 | GENESIS II Stemless Tibial Trial Size 7 Left |
| 7143-0175 | GENESIS II Stemless Tibial Trial Size 8 Left |
| 7144-0045 | GENESIS II EM Alignment Tower |
| 7143-0177 | GENESIS II Stemless Tibial Trial Size 1 Right |

| Catalog Item | Description |
|--------------|---|
| 7143-0179 | GENESIS II Stemless Tibial Trial Size 2 Right |
| 7143-0181 | GENESIS II Stemless Tibial Trial Size 3 Right |
| 7143-0183 | GENESIS II Stemless Tibial Trial Size 4 Right |
| 7143-0185 | GENESIS II Stemless Tibial Trial Size 5 Right |
| 7143-0187 | GENESIS II Stemless Tibial Trial Size 6 Right |
| 7143-0189 | GENESIS II Stemless Tibial Trial Size 7 Right |
| 7143-0191 | GENESIS II Stemless Tibial Trial Size 8 Right |

GENESIS[®] II Instrumentation

Tray #7144-1169 MIS PS Cutting Blocks and Femoral Trials



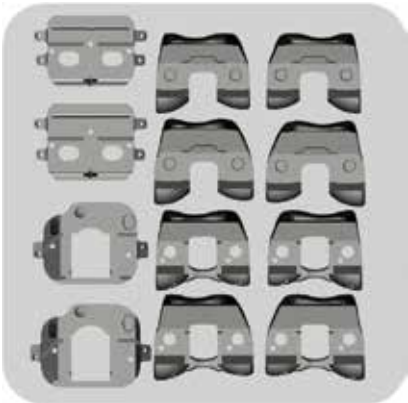
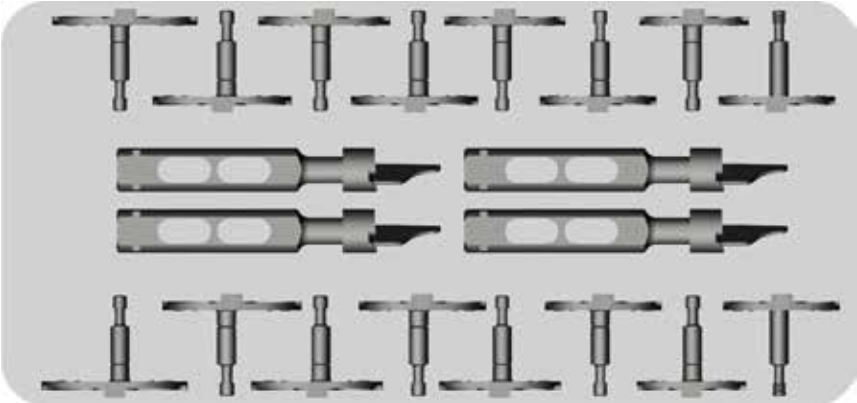
Tray #7144-1169 PS Cutting Blocks and Femoral Trials

| Catalog Item | Description |
|--------------|--------------------------------|
| 7143-0100 | PS Femoral Trial, Size 3 Left |
| 7143-0102 | PS Femoral Trial, Size 4 Left |
| 7143-0104 | PS Femoral Trial, Size 5 Left |
| 7143-0106 | PS Femoral Trial, Size 6 Left |
| 7143-0108 | PS Femoral Trial, Size 7 Left |
| 7143-0110 | PS Femoral Trial, Size 8 Left |
| 7143-0116 | PS Femoral Trial, Size 3 Right |
| 7143-0118 | PS Femoral Trial, Size 4 Right |
| 7143-0120 | PS Femoral Trial, Size 5 Right |
| 7143-0122 | PS Femoral Trial, Size 6 Right |
| 7143-0124 | PS Femoral Trial, Size 7 Right |
| 7143-0126 | PS Femoral Trial, Size 8 Right |

| Catalog Item | Description |
|--------------|------------------------------------|
| 7144-1203 | PS Housing Resection Block, Size 3 |
| 7144-1204 | PS Housing Resection Block, Size 4 |
| 7144-1205 | PS Housing Resection Block, Size 5 |
| 7144-1206 | PS Housing Resection Block, Size 6 |
| 7144-1207 | PS Housing Resection Block, Size 7 |
| 7144-1208 | PS Housing Resection Block, Size 8 |
| 7144-0373 | PS Housing Chisel |
| 7144-0145 | Housing Reamer Dome |
| 7144-0324 | Reamer Shaft |
| 7144-0464 | Reamer Sleeve |
| 7144-0467 | PS Reamer Collet w/Thumbscrew |

GENESIS[®] II Instrumentation

Tray #7144-3117 Stemmed Tibial Trials and Tray #7144-3115 ACF Femoral Trials Size 1-2



Tray #7144-3117 Stemmed Tibial Trials and Punches Sizes 1-8

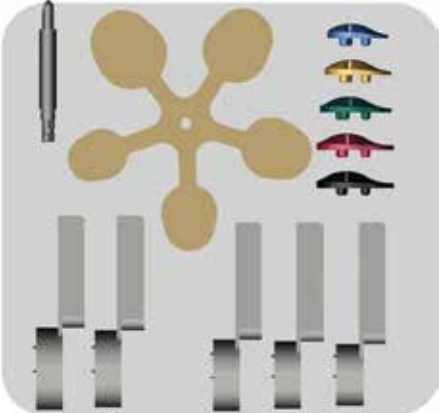
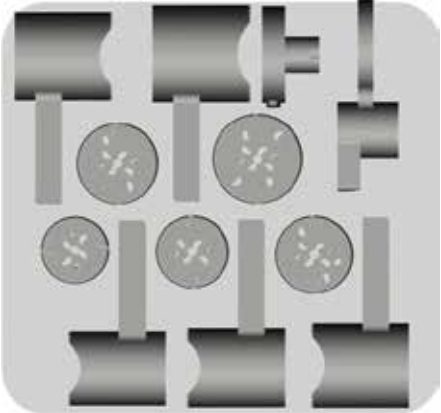
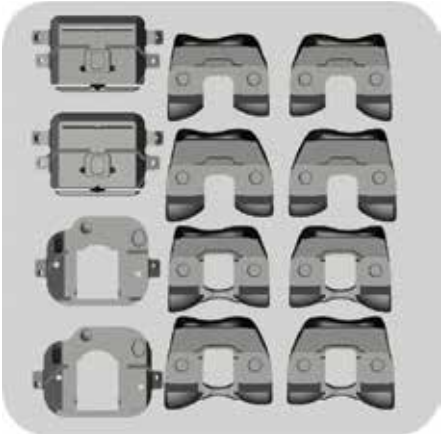
| Catalog Item | Description |
|--------------|--|
| 7143-0160 | GENESIS [®] II Non-Por Tibial Trial Size 1 LT |
| 7143-0162 | GENESIS II Non-Por Tibial Trial Size 2 LT |
| 7143-0164 | GENESIS II Non-Por Tibial Trial Size 3 LT |
| 7143-0166 | GENESIS II Non-Por Tibial Trial Size 4 LT |
| 7143-0168 | GENESIS II Non-Por Tibial Trial Size 5 LT |
| 7143-0170 | GENESIS II Non-Por Tibial Trial Size 6 LT |
| 7143-0172 | GENESIS II Non-Por Tibial Trial Size 7 LT |
| 7143-0174 | GENESIS II Non-Por Tibial Trial Size 8 LT |
| 7143-0176 | GENESIS II Non-Por Tibial Trial Size 1 RT |
| 7143-0178 | GENESIS II Non-Por Tibial Trial Size 2 RT |
| 7143-0180 | GENESIS II Non-Por Tibial Trial Size 3 RT |
| 7143-0182 | GENESIS II Non-Por Tibial Trial Size 4 RT |
| 7143-0184 | GENESIS II Non-Por Tibial Trial Size 5 RT |
| 7143-0186 | GENESIS II Non-Por Tibial Trial Size 6 RT |
| 7143-0188 | GENESIS II Non-Por Tibial Trial Size 7 RT |
| 7143-0190 | GENESIS II Non-Por Tibial Trial Size 8 RT |
| 7144-0264 | GENESIS II Non-Por Tibial Fin Punch Sizes 1-2 |
| 7144-0266 | GENESIS II Non-Por Tibial Fin Punch Sizes 3-4 |
| 7144-0268 | GENESIS II Non-Por Tibial Fin Punch Sizes 5-6 |
| 7144-0270 | GENESIS II Non-Por Tibial Fin Punch Sizes 7-8 |

Tray #7144-3115 ACF Cutting Blocks and Femoral Trials Sizes 1-2

| Catalog Item | Description |
|--------------|--|
| 7143-0000 | GENESIS II C/R Fem Trial Size 1, Left |
| 7143-0016 | GENESIS II C/R Fem Trial Size 1, Right |
| 7143-0096 | GENESIS II PS Fem Trial Size 1, Left |
| 7143-0112 | GENESIS II PS Fem Trial Size 1, Right |
| 7143-0002 | GENESIS II C/R Fem Trial Size 2 Left |
| 7143-0018 | GENESIS II C/R Fem Trial Size 2 Right |
| 7143-0098 | GENESIS II PS Fem Trial Size 2 Left |
| 7143-0114 | GENESIS II PS Fem Trial Size 2 Right |
| 7144-1119 | GENESIS II MIS Cutting Block Size 1 |
| 7144-1120 | GENESIS II MIS Cutting Block Size 2 |
| 7144-1201 | GENESIS II MIS PS Cutting Block Size 1 |
| 7144-1202 | GENESIS II MIS PS Cutting Block Size 2 |

GENESIS[◇] II Instrumentation

Trays #7144-3116 DCF Femoral Cutting Blocks/Trials Sizes 1-2, #7144-3104 Large Resurfacing Patella Instruments and #7144-3105 Oval Patella Instruments



Trays #7144-3116 DCF Cutting Blocks and Fem Trials

| Catalog Item | Description |
|--------------|--|
| 7143-0000 | GENESIS [®] II C/R Fem Trial Size 1, Left |
| 7143-0016 | GENESIS II C/R Fem Trial Size 1, Right |
| 7143-0096 | GENESIS II PS Fem Trial Size 1, Left |
| 7143-0112 | GENESIS II PS Fem Trial Size 1, Right |
| 7143-0002 | GENESIS II C/R Fem Trial Size 2 Left |
| 7143-0018 | GENESIS II C/R Fem Trial Size 2 Right |
| 7143-0098 | GENESIS II PS Fem Trial Size 2 Left |
| 7143-0114 | GENESIS II PS Fem Trial Size 2 Right |
| 7144-1149 | GENESIS II MIS A/P Cutting Block Size 1 |
| 7144-1150 | GENESIS II MIS A/P Cutting Block Size 2 |
| 7144-1201 | GENESIS II MIS PS Cutting Block Sizes 1 |
| 7144-1202 | GENESIS II MIS PS Cutting Block Sizes 2 |

#7144-3104 Large Resurfacing Patella Instruments

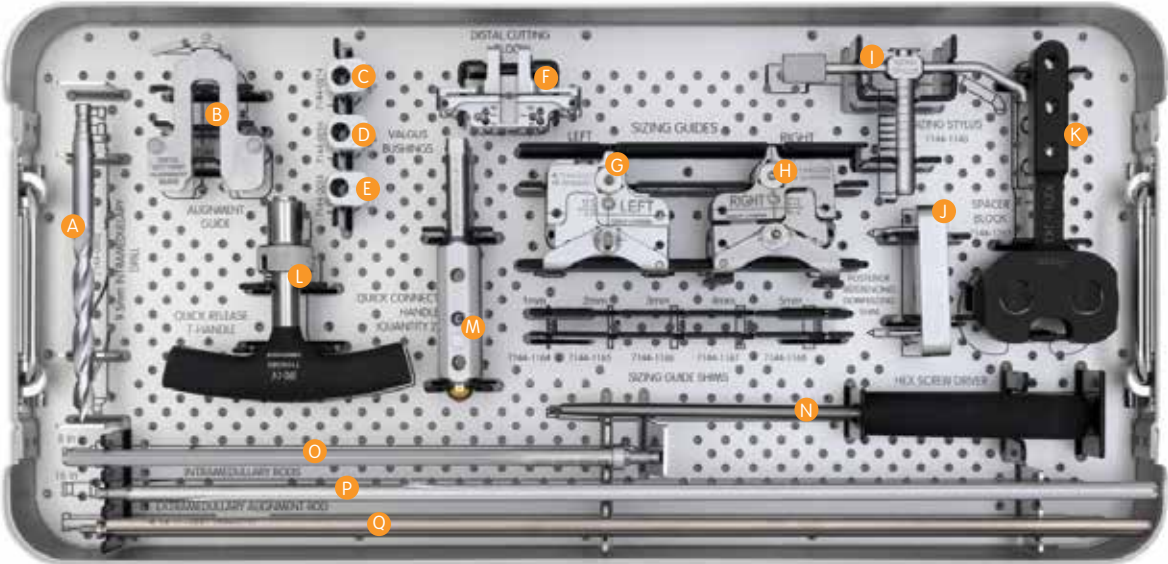
| Catalog Item | Description |
|--------------|-----------------------------|
| 7144-0751 | Resurfacing Reamer 38mm |
| 7144-0752 | Resurfacing Reamer 41mm |
| 7144-0349 | Resurfacing Reamer 44mm |
| 7144-0753 | Resurfacing Reamer 46mm |
| 7144-0754 | Resurfacing Reamer 51mm |
| 7144-0427 | Large Depth Stop |
| 7144-0431 | Large Depth Gauge |
| 7144-0744 | Patellar Reamer Collet 38mm |
| 7144-0745 | Patellar Reamer Collet 41mm |
| 7144-0748 | Patellar Reamer Collet 44mm |
| 7144-0746 | Patellar Reamer Collet 46mm |
| 7144-0747 | Patellar Reamer Collet 51mm |

#7144-3105 Oval Patella Instruments

| Catalog Item | Description |
|--------------|--------------------------------------|
| 7144-0729 | Oval Patellar Drill Guide 29mm |
| 7144-0732 | Oval Patellar Drill Guide 32mm |
| 7144-0735 | Oval Patellar Drill Guide 35mm |
| 7144-0738 | Oval Patellar Drill Guide 38mm |
| 7144-0741 | Oval Patellar Drill Guide 41mm |
| 7143-0429 | Oval Resurfacing Patellar Trial 29mm |
| 7143-0432 | Oval Resurfacing Patellar Trial 32mm |
| 7143-0435 | Oval Resurfacing Patellar Trial 35mm |
| 7143-0438 | Oval Resurfacing Patellar Trial 38mm |
| 7143-0441 | Oval Resurfacing Patellar Trial 41mm |
| 7144-0842 | Oval 5 Point Sizing Guide |
| 7144-0743 | Oval Patellar Peg Drill |

LEGION^o CR and PS Trays

Tray #7144-1260 DCF Femoral Instruments

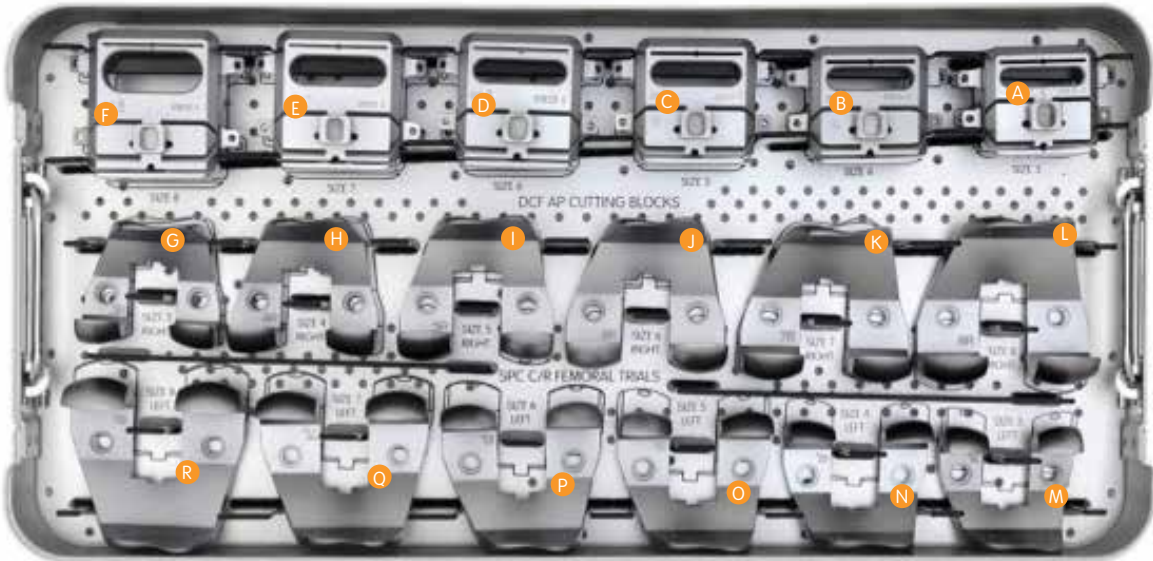


Tray #7144-1260 DCF Femoral Instruments

| Catalog Item | Description | Ref. |
|--------------|--|------|
| 7144-0002 | GENESIS [®] II Fem Drill 9.5mm | A |
| 7144-1144 | GENESIS II Mis DCF Align Guide | B |
| 7144-0014 | GENESIS II Fem 5° Valgus Bushing | C |
| 7144-0016 | GENESIS II Fem 6° Valgus Bushing | D |
| 7144-0018 | GENESIS II Fem 7° Valgus Bushing | E |
| 7144-1147 | GENESIS II MIS DCF Distal Cutting Block | F |
| 7144-0007 | GENESIS II DCF Variable Size Guide Left | G |
| 7144-0008 | GENESIS II DCF Variable Size Guide Right | H |
| 7144-1140 | GENESIS II MIS DCF Sizing Stylus | I |
| 7144-0860 | GENESIS II P/R Downsizing Shim | J |
| 7144-1265 | LEGION [®] CR&PS Primary Spacer Block | K |
| 7111-0080 | Quick Release T-Handle | L |
| 7144-0044 | GENESIS II Quick Connect Handle | M |
| 115035 | Hex Screwdriver | N |
| 7144-0006 | GENESIS II Short I/M Rod 8 Inch | O |
| 7144-0004 | GENESIS II Long I/M Rod 16 Inch | P |
| 114861 | Extramedullary Alignment Rod | Q |

LEGION^o CR and PS Trays

Tray #7144-1259 DCF Cutting Blocks and Ream-Through Femoral Trials



Tray #7144-1259 DCF Cutting Blocks and Ream-Through Femoral Trials

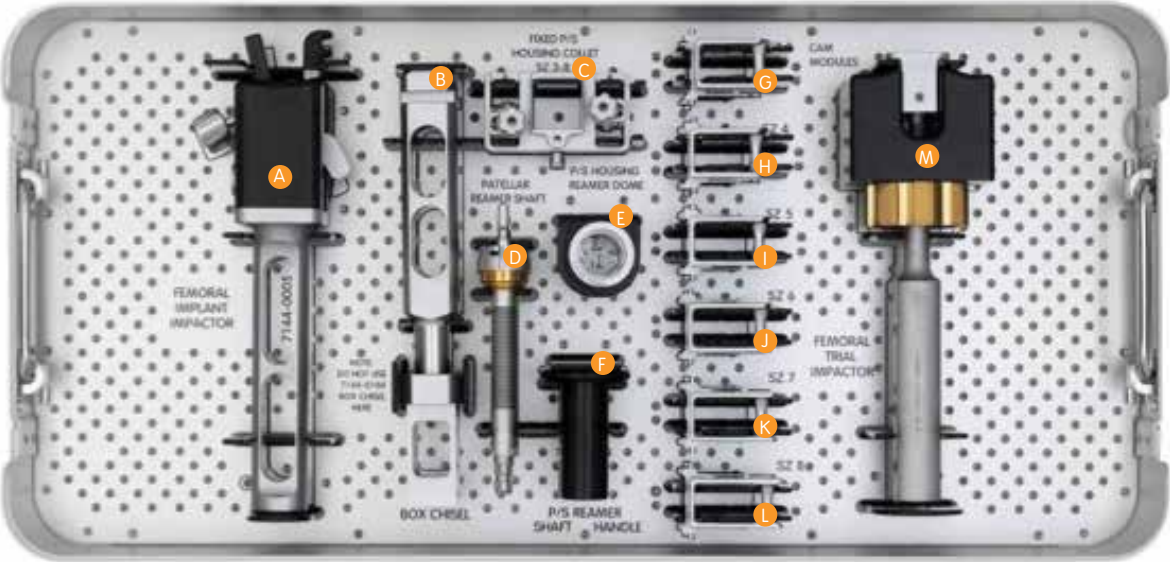
| Catalog Item | Description | Ref. |
|--------------|---|------|
| 7144-1151 | GENESIS [®] II MIS DCF A/P Cutting Block 3 | A |
| 7144-1152 | GENESIS II MIS DCF A/P Cutting Block 4 | B |
| 7144-1153 | GENESIS II MIS DCF A/P Cutting Block 5 | C |
| 7144-1154 | GENESIS II MIS DCF A/P Cutting Block 6 | D |
| 7144-1155 | GENESIS II MIS DCF A/P Cutting Block 7 | E |
| 7144-1156 | GENESIS II MIS DCF A/P Cutting Block 8 | F |
| 7143-3353 | Ream-through Trial, Size 3 Right | G |
| 7143-3354 | Ream-through Trial, Size 4 Right | H |
| 7143-3355 | Ream-through Trial, Size 5 Right | I |
| 7143-3356 | Ream-through Trial, Size 6 Right | J |
| 7143-3357 | Ream-through Trial, Size 7 Right | K |
| 7143-3358 | Ream-through Trial, Size 8 Right | L |
| 7143-3343 | Ream-through Trial, Size 3 Left | M |
| 7143-3344 | Ream-through Trial, Size 4 Left | N |
| 7143-3345 | Ream-through Trial, Size 5 Left | O |
| 7143-3346 | Ream-through Trial, Size 6 Left | P |
| 7143-3347 | Ream-through Trial, Size 7 Left | Q |
| 7143-3348 | Ream-through Trial, Size 8 Left | R |

Tray #7144-1501 Cutting Blocks and Ream-Through Femoral Trials Size 2

| Catalog Item | Description | Qty. | Ref. |
|--------------|--|------|-------------|
| 7143-3342 | Ream-through Fem Trial, Size 2 Left | 1 | Not in tray |
| 7143-3352 | Ream-through Fem Trial, Size 2 Right | 1 | Not in tray |
| 7144-1120 | GENESIS II MIS ACF A/P Cutting Block 2 | 1 | Not in tray |
| 7144-1150 | GENESIS II MIS DCF A/P Cutting Block 2 | 1 | Not in tray |
| 7144-3362 | LEGION [®] PS Cam Module Size 2 | 1 | Not in tray |
| 7144-0003 | PS Housing Collet Size 2 | 1 | Not in tray |

LEGION^o CR and PS Trays

Tray #7143-4140 PS Ream-Through Femoral Instruments

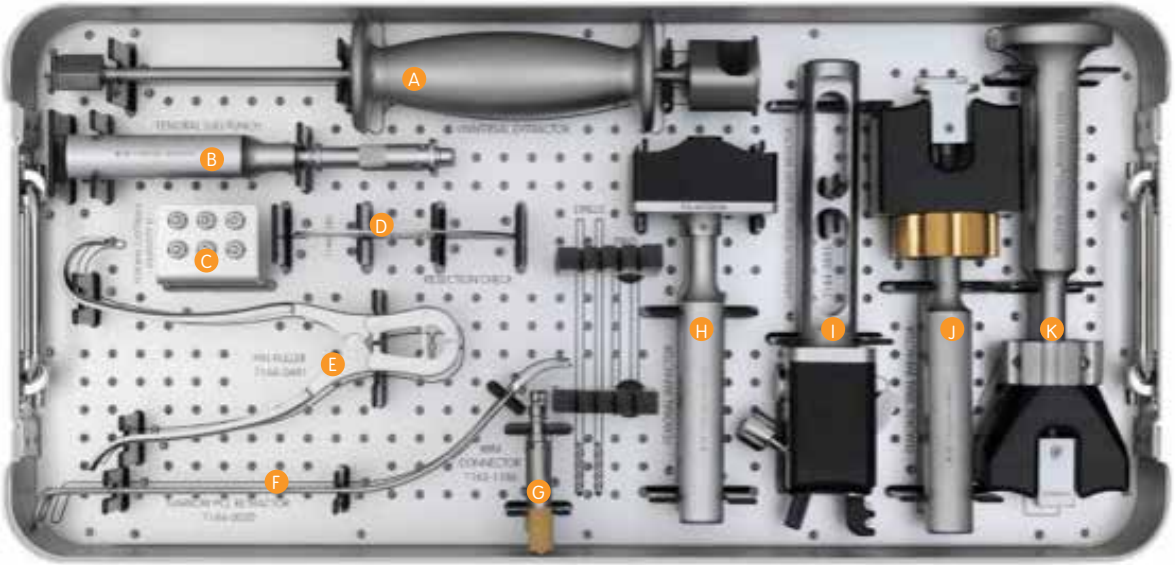


Tray #7143-4140 PS Ream-Through Femoral Instruments

| Catalog Item | Description | Ref. |
|--------------|---|------|
| 7144-0005 | Femoral Implant Impactor | A |
| 7144-0373 | Box Chisel | B |
| 7144-0001 | PS Housing Collet Size 3-8 | C |
| 7144-0324 | GENESIS [®] II Patellar Reamer Shaft | D |
| 7144-0145 | GENESIS II PS Cons Housing Ream Dome | E |
| 7144-0464 | GENESIS II PS Reamer Shaft Handle | F |
| 7143-3363 | LEGION [®] PS Cam Module Size 3 | G |
| 7143-3364 | LEGION PS Cam Module Size 4 | H |
| 7143-3365 | LEGION PS Cam Module Size 5 | I |
| 7143-3366 | LEGION PS Cam Module Size 6 | J |
| 7143-3367 | LEGION PS Cam Module Size 7 | K |
| 7143-3368 | LEGION PS Cam Module Size 8 | L |
| 7144-0009 | Femoral Trial Impactor | M |

LEGION[®] CR and PS Trays

Tray #7144-3101 Femoral Miscellaneous Instruments



Tray #7144-3101 Femoral Miscellaneous Instruments

| Catalog Item | Description | Ref. |
|--------------|---|------|
| 7144-0366 | GENESIS® II Universal Extractor | A |
| 7144-0183 | GENESIS II Femoral Lug Punch | B |
| 7143-0864 | GENESIS II Femoral Lug Trial | C |
| 7144-0380 | GENESIS II Resection Check | D |
| 7144-0491 | Pin Puller | E |
| 7144-0020 | GENESIS II Narrow PCL Retractor | F |
| 7163-1186 | Mini Connector | G |
| 7144-0190 | GENESIS II Femoral Impactor | H |
| 7144-0895 | Universal GENESIS II Femoral Impactor (CoCr & OXINIUM® material) | I |
| 7144-0468 | Femoral Trial Impactor | J |
| 7144-0890 | GENESIS II OXINIUM Femoral Impactor | K |

Tray #7144-3102 Tibial Miscellaneous Instruments

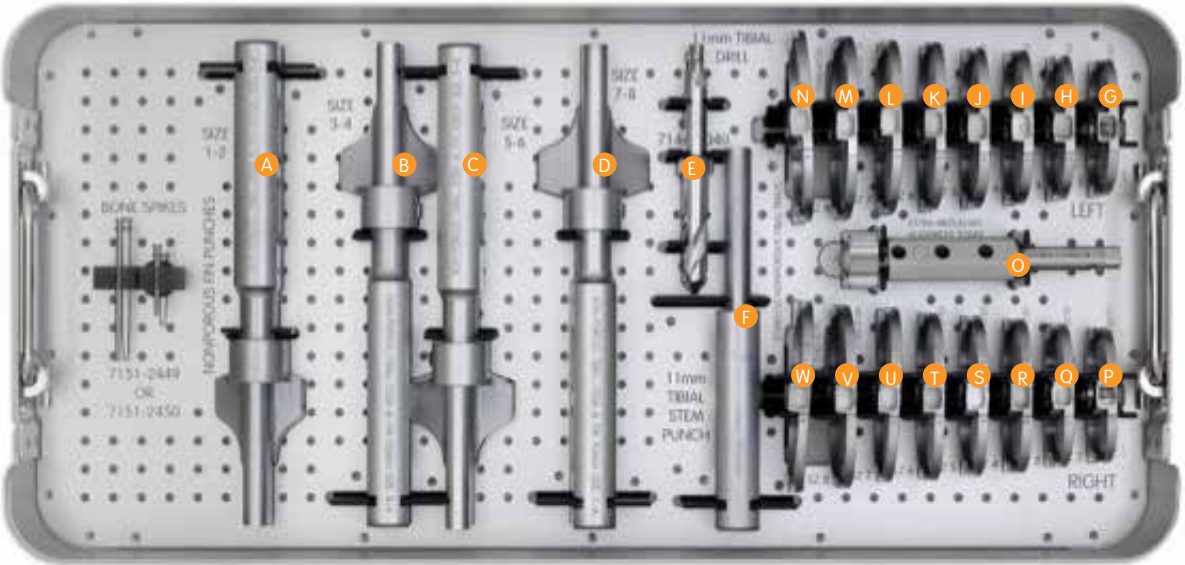
| Catalog Item | Description | Ref. |
|--------------|--|------|
| 7144-1552 | GENESIS [®] II PS Hi Flex Impactor Handle | A |
| 7144-1553 | GENESIS II PS Hi Flex Impactor Head 1-2 | B |
| 7144-1554 | GENESIS II PS Hi Flex Impactor Head 3-8 | C |
| 7144-0192 | GENESIS II Tibial Base Impactor | D |
| 7144-0194 | GENESIS II Articulating Inserter/Extractor | E |
| 7144-0288 | GENESIS II Spacer Plate, 11mm | F |
| 7144-0290 | GENESIS II Spacer Plate, 13mm | G |
| 7144-0292 | GENESIS II Spacer Plate, 15mm | H |
| 7144-0294 | GENESIS II Spacer Plate, 18mm | I |
| 7144-0296 | GENESIS II Spacer Plate, 21mm | J |
| 7144-0298 | GENESIS II Spacer Plate, 25mm | K |
| 7144-0828 | GENESIS II Primary Flex-Exten Spacer Block | L |

Tray #7144-3112 Tibial Instruments Tray (Top)

| Catalog Item | Description | Ref. |
|--------------|---|------|
| 7144-0448 | GENESIS [®] II Tibial Alignment Tube | A |
| 7144-0198 | GENESIS II Tibial Alignment Spiked Fix Rod | B |
| 7144-0444 | GENESIS II Adjustable Ankle Clamp | C |
| 7144-0446 | GENESIS II Nonspiked Fixation Rod | D |
| 7144-1136 | GENESIS II MIS Slit 3 MO Tibial Cutting Block Left | E |
| 7144-1137 | GENESIS II MIS Slit 3 MO Tibial Cutting Block Right | F |
| 7144-0200 | GENESIS II Intramedullary Tibial Alignment | G |
| 7144-1143 | GENESIS II MIS Tibial Stylus | H |
| 7144-1148 | GENESIS II MIS Tibial Long Nonspiked Fixation Rod | I |

LEGION[®] CR and PS Trays

Tray #7144-3112 Tibial Instruments Tray (Bottom)



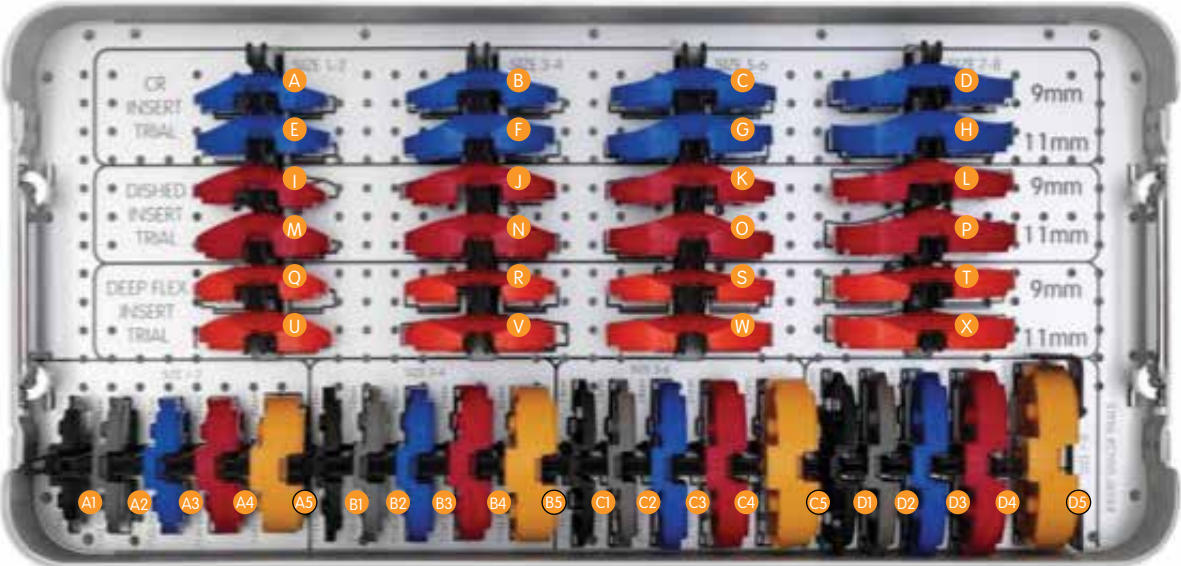
Tray #7144-3112 Tibial Instruments Tray (Bottom)

| Catalog Item | Description | Ref. |
|--------------|---|------|
| 7144-9991 | GENESIS [®] II NP Fin-Stm Punch Size 1-2 | A |
| 7144-9993 | GENESIS II NP Fin-Stem Punch Size 3-4 | B |
| 7144-9995 | GENESIS II NP Fin-Stem Punch Size 5-6 | C |
| 7144-9997 | GENESIS II NP Fin-Stem Punch Size 7-8 | D |
| 7144-0040 | GENESIS II 11mm Tibial Drill | E |
| 7144-0262 | GENESIS II Tibial Stem Punch 11mm | F |
| 7143-0161 | GENESIS II Stemless Tibial Trial Size 1 Left | G |
| 7143-0163 | GENESIS II Stemless Tibial Trial Size 2 Left | H |
| 7143-0165 | GENESIS II Stemless Tibial Trial Size 3 Left | I |
| 7143-0167 | GENESIS II Stemless Tibial Trial Size 4 Left | J |
| 7143-0169 | GENESIS II Stemless Tibial Trial Size 5 Left | K |
| 7143-0171 | GENESIS II Stemless Tibial Trial Size 6 Left | L |
| 7143-0173 | GENESIS II Stemless Tibial Trial Size 7 Left | M |
| 7143-0175 | GENESIS II Stemless Tibial Trial Size 8 Left | N |
| 7144-0045 | GENESIS II EM Alignment Tower | O |
| 7143-0177 | GENESIS II Stemless Tibial Trial Size 1 Right | P |

| Catalog Item | Description | Ref. |
|--------------|---|------|
| 7143-0179 | GENESIS II Stemless Tibial Trial Size 2 Right | Q |
| 7143-0181 | GENESIS II Stemless Tibial Trial Size 3 Right | R |
| 7143-0183 | GENESIS II Stemless Tibial Trial Size 4 Right | S |
| 7143-0185 | GENESIS II Stemless Tibial Trial Size 5 Right | T |
| 7143-0187 | GENESIS II Stemless Tibial Trial Size 6 Right | U |
| 7143-0189 | GENESIS II Stemless Tibial Trial Size 7 Right | V |
| 7143-0191 | GENESIS II Stemless Tibial Trial Size 8 Right | W |

LEGION^o CR and PS Trays

Tray #7144-3113 CR Tibial Insert Trials



Tray #7144-3113 CR Tibial Insert Trials

| Catalog Item | Description | Ref. |
|--------------|---|------|
| 7143-0880 | GENESIS [®] II CR Articulating Trial Sizes 1-2 9mm | A |
| 7143-0490 | GENESIS II CR Articulating Trial Sizes 3-4 9mm | B |
| 7143-0500 | GENESIS II CR Articulating Trial Sizes 5-6 9mm | C |
| 7143-0510 | GENESIS II CR Articulating Trial Sizes 7-8 9mm | D |
| 7143-0882 | GENESIS II CR Articulating Trial Sizes 1-2 11mm | E |
| 7143-0492 | GENESIS II CR Articulating Trial Sizes 3-4 11mm | F |
| 7143-0502 | GENESIS II CR Articulating Trial Sizes 5-6 11mm | G |
| 7143-0512 | GENESIS II CR Articulating Trial Sizes 7-8 11mm | H |
| 7143-0454 | GENESIS II Dish Articulating Trial Sizes 1-2 9mm | I |
| 7143-0766 | GENESIS II Dish Articulating Trial Sizes 3-4 9mm | J |
| 7143-0778 | GENESIS II Dish Articulating Trial Sizes 5-6 9mm | K |
| 7143-0789 | GENESIS II Dish Articulating Trial Sizes 7-8 9mm | L |
| 7143-0456 | GENESIS II Dish Articulating Trial Sizes 1-2 11mm | M |
| 7143-0768 | GENESIS II Dish Articulating Trial Sizes 3-4 11mm | N |
| 7143-0780 | GENESIS II Dish Articulating Trial Sizes 5-6 11mm | O |
| 7143-0791 | GENESIS II Dish Articulating Trial Sizes 7-8 11mm | P |
| 7143-0442 | GENESIS II CR Deep Flex Insert Trial Sizes 1-2 9mm | Q |
| 7143-0444 | GENESIS II CR Deep Flex Insert Trial Sizes 3-4 9mm | R |
| 7143-0446 | GENESIS II CR Deep Flex Insert Trial Sizes 5-6 9mm | S |
| 7143-0448 | GENESIS II CR Deep Flex Insert Trial Sizes 7-8 9mm | T |
| 7143-0443 | GENESIS II CR Deep Flex Insert Trial Sizes 1-2 11mm | U |
| 7143-0445 | GENESIS II CR Deep Flex Insert Trial Sizes 3-4 11mm | V |

| Catalog Item | Description | Ref. |
|--------------|--|------|
| 7143-0447 | GENESIS II CR Deep Flex Insert Trial Sizes 5-6 11mm | W |
| 7143-0449 | GENESIS II CR Deep Flex Insert Trial Sizes 7-8 11mm | X |
| 7143-0324 | GENESIS II Articulating Insert Spacer Trial 1-2 13mm | A1 |
| 7143-0332 | GENESIS II Articulating Insert Spacer Trial 1-2 15mm | A2 |
| 7143-0340 | GENESIS II Articulating Insert Spacer Trial 1-2 18mm | A3 |
| 7143-0348 | GENESIS II Articulating Insert Spacer Trial 1-2 21mm | A4 |
| 7143-0356 | GENESIS II Articulating Insert Spacer Trial 1-2 25mm | A5 |
| 7143-0226 | GENESIS II Insert Spacer Trial Sizes 3-4 13mm | B1 |
| 7143-0234 | GENESIS II Insert Spacer Trial Sizes 3-4 15mm | B2 |
| 7143-0242 | GENESIS II Insert Spacer Trial Sizes 3-4 18mm | B3 |
| 7143-0250 | GENESIS II Insert Spacer Trial Sizes 3-4 21mm | B4 |
| 7143-0258 | GENESIS II Insert Spacer Trial Sizes 3-4 25mm | B5 |
| 7143-0228 | GENESIS II Insert Spacer Trial Sizes 5-6 13mm | C1 |
| 7143-0236 | GENESIS II Insert Spacer Trial Sizes 5-6 15mm | C2 |
| 7143-0244 | GENESIS II Insert Spacer Trial Sizes 5-6 18mm | C3 |
| 7143-0252 | GENESIS II Insert Spacer Trial Sizes 5-6 21mm | C4 |
| 7143-0260 | GENESIS II Insert Spacer Trial Sizes 5-6 25mm | C5 |
| 7143-0230 | GENESIS II Insert Spacer Trial Sizes 7-8 13mm | D1 |
| 7143-0238 | GENESIS II Insert Spacer Trial Sizes 7-8 15mm | D2 |
| 7143-0246 | GENESIS II Insert Spacer Trial Sizes 7-8 18mm | D3 |
| 7143-0254 | GENESIS II Insert Spacer Trial Sizes 7-8 21mm | D4 |
| 7143-0262 | GENESIS II Insert Spacer Trial Sizes 7-8 25mm | D5 |

LEGION[®] CR and PS Trays

Tray #7144-3111 PS Tibial Insert Trials



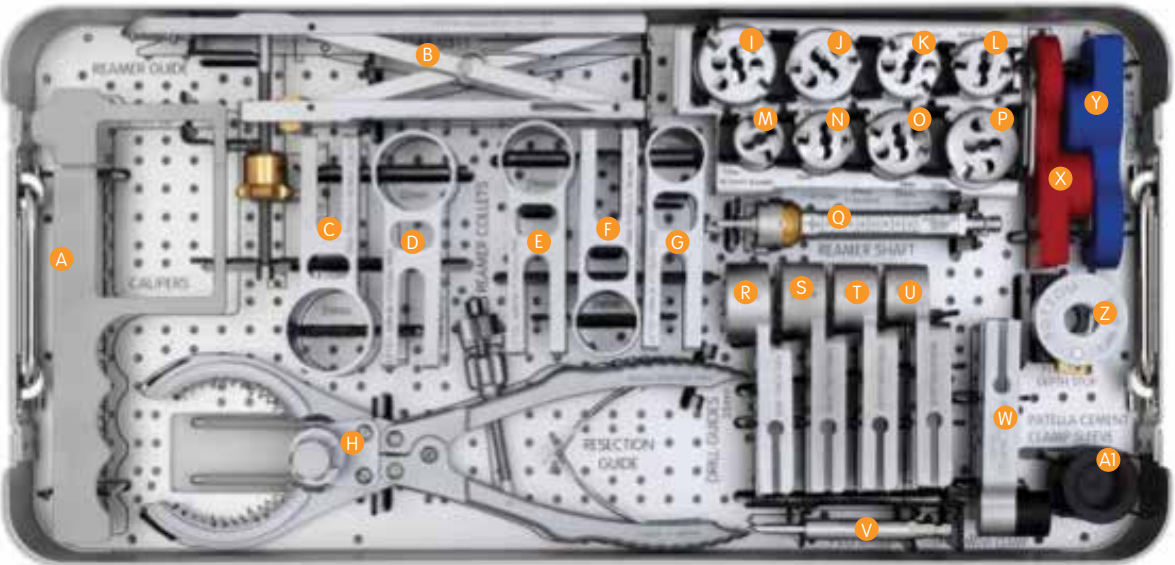
Tray #7144-3111 PS Tibial Insert Trials

| Catalog Item | Description |
|--------------|---|
| 7143-0901 | Posterior-Stabilized Articular Trial Sizes 1-2 9mm |
| 7143-0815 | Posterior-Stabilized Articular Trial Sizes 3-4 9mm |
| 7143-0829 | Posterior-Stabilized Articular Trial Sizes 5-6 9mm |
| 7143-0844 | Posterior-Stabilized Articular Trial Sizes 7-8 9mm |
| 7143-0903 | Posterior-Stabilized Articular Trial Sizes 1-2 11mm |
| 7143-0817 | Posterior-Stabilized Articular Trial Sizes 3-4 11mm |
| 7143-0831 | Posterior-Stabilized Articular Trial Sizes 5-6 11mm |
| 7143-0846 | Posterior-Stabilized Articular Trial Sizes 7-8 11mm |
| 7144-0471 | Constrained Articular Trial Sizes 1-2 9mm |
| 7144-0473 | Constrained Articular Trial Sizes 3-4 9mm |
| 7144-0475 | Constrained Articular Trial Sizes 5-6 9mm |
| 7144-0477 | Constrained Articular Trial Sizes 7-8 9mm |
| 7143-0962 | Constrained Articular Trial Sizes 1-2 11mm |
| 7143-0524 | Constrained Articular Trial Sizes 3-4 11mm |
| 7143-0538 | Constrained Articular Trial Sizes 5-6 11mm |
| 7143-0552 | Constrained Articular Trial Sizes 7-8 11mm |
| 7143-0401 | PS Hi-Flex Trial Sizes 1-2 9mm |
| 7143-0408 | PS Hi-Flex Trial Sizes 3-4 9mm |
| 7143-0415 | PS Hi-Flex Trial Sizes 5-6 9mm |
| 7143-0422 | PS Hi-Flex Trial Sizes 7-8 9mm |
| 7143-0402 | PS Hi-Flex Trial Sizes 1-2 11mm |
| 7143-0409 | PS Hi-Flex Trial Sizes 3-4 11mm |

| Catalog Item | Description |
|--------------|---------------------------------|
| 7143-0416 | PS Hi-Flex Trial Sizes 5-6 11mm |
| 7143-0423 | PS Hi-Flex Trial Sizes 7-8 11mm |
| 7143-0324 | Insert Spacer Sizes 1-2 13mm |
| 7143-0332 | Insert Spacer Sizes 1-2 15mm |
| 7143-0340 | Insert Spacer Sizes 1-2 18mm |
| 7143-0348 | Insert Spacer Sizes 1-2 21mm |
| 7143-0356 | Insert Spacer Sizes 1-2 25mm |
| 7143-0226 | Insert Spacer Sizes 3-4 13mm |
| 7143-0234 | Insert Spacer Sizes 3-4 15mm |
| 7143-0242 | Insert Spacer Sizes 3-4 18mm |
| 7143-0250 | Insert Spacer Sizes 3-4 21mm |
| 7143-0258 | Insert Spacer Sizes 3-4 25mm |
| 7143-0228 | Insert Spacer Sizes 5-6 13mm |
| 7143-0236 | Insert Spacer Sizes 5-6 15 mm |
| 7143-0244 | Insert Spacer Sizes 5-6 18 mm |
| 7143-0252 | Insert Spacer Sizes 5-6 21 mm |
| 7143-0260 | Insert Spacer Sizes 5-6 25 mm |
| 7143-0230 | Insert Spacer Sizes 7-8 13mm |
| 7143-0238 | Insert Spacer Sizes 7-8 15 mm |
| 7143-0246 | Insert Spacer Sizes 7-8 18 mm |
| 7143-0254 | Insert Spacer Sizes 7-8 21 mm |
| 7143-0262 | Insert Spacer Sizes 7-8 25 mm |

LEGION[®] CR and PS Trays

Tray #7144-3103 Universal Patellar Instruments



Tray #7144-3103 Universal Patellar Instruments

| Catalog Item | Description | Ref. |
|--------------|---|------|
| 114943 | GENESIS [®] II Caliper | A |
| 7144-0311 | GENESIS II Mod Pat Reamer Guide | B |
| 7144-0518 | GENESIS II Ser Pat Reamer Collet 35mm | C |
| 7144-0516 | GENESIS II Ser Pat Reamer Collet 32mm | D |
| 7144-0514 | GENESIS II Ser Pat Reamer Collet 29mm | E |
| 7144-0512 | GENESIS II Ser Pat Reamer Collet 26mm | F |
| 7144-0510 | GENESIS II Ser Pat Reamer Collet 23mm | G |
| 7144-0391 | Patella Resection Guide | H |
| 7144-0346 | GENESIS II 35mm Resurface Reamer | I |
| 7144-0344 | GENESIS II 32mm Resurface Reamer | J |
| 7144-0342 | GENESIS II 29mm Resurface Reamer | K |
| 7144-0348 | GENESIS II 26mm Resurface Reamer | L |
| 7144-0634 | GENESIS II Mod Biconvex Pat Reamer 23mm | M |
| 7144-0636 | GENESIS II Mod Biconvex Pat Reamer 26mm | N |
| 7144-0638 | GENESIS II Mod Biconvex Pat Reamer 29mm | O |
| 7144-0640 | GENESIS II Mod Biconvex Pat Reamer 32mm | P |
| 7144-0324 | GENESIS II Patellar Reamer Shaft | Q |
| 7144-0405 | GENESIS II Mod Resur Pat Drill Guide 35mm | R |

| Catalog Item | Description | Ref. |
|--------------|---|------|
| 7144-0404 | GENESIS II Mod Resur Pat Drill Guide 32mm | S |
| 7144-0403 | GENESIS II Mod Resur Pat Drill Guide 29mm | T |
| 7144-0402 | GENESIS II Mod Resur Pat Drill Guide 26mm | U |
| 7144-0360 | GENESIS II Resurfacing Pat Drill | V |
| 7144-0322 | GENESIS II Patellar Cement Clamp | W |
| 7144-0330 | GENESIS II Resurf Depth Gauge | X |
| 7144-0328 | GENESIS II Biconvex Depth Gauge | Y |
| 7144-0326 | GENESIS II Patellar Depth Stop | Z |
| 7144-0474 | GENESIS II Pat Cmt Clmp Sleeve | A1 |
| 7143-0580 | GENESIS II Resurf Pat Trial 26mm | NS* |
| 7143-0574 | GENESIS II Resurf Pat Trial 29mm | NS |
| 7143-0576 | GENESIS II Resurf Pat Trial 32mm | NS |
| 7143-0578 | GENESIS II Resurf Pat Trial 35mm | NS |
| 7143-0566 | GENESIS II Biconvex Pat Trial 23mm | NS |
| 7143-0568 | GENESIS II Biconvex Pat Trial 26mm | NS |
| 7143-0570 | GENESIS II Biconvex Pat Trial 29mm | NS |
| 7143-0572 | GENESIS II Biconvex Pat Trial 32mm | NS |

*NS = Not Shown in picture

LEGION[®] RK Trays

Case 1 – Tray #7143-4121 Reamers Tray, (Upper) – Total Case Weight: 31 lb (14.1 kg)



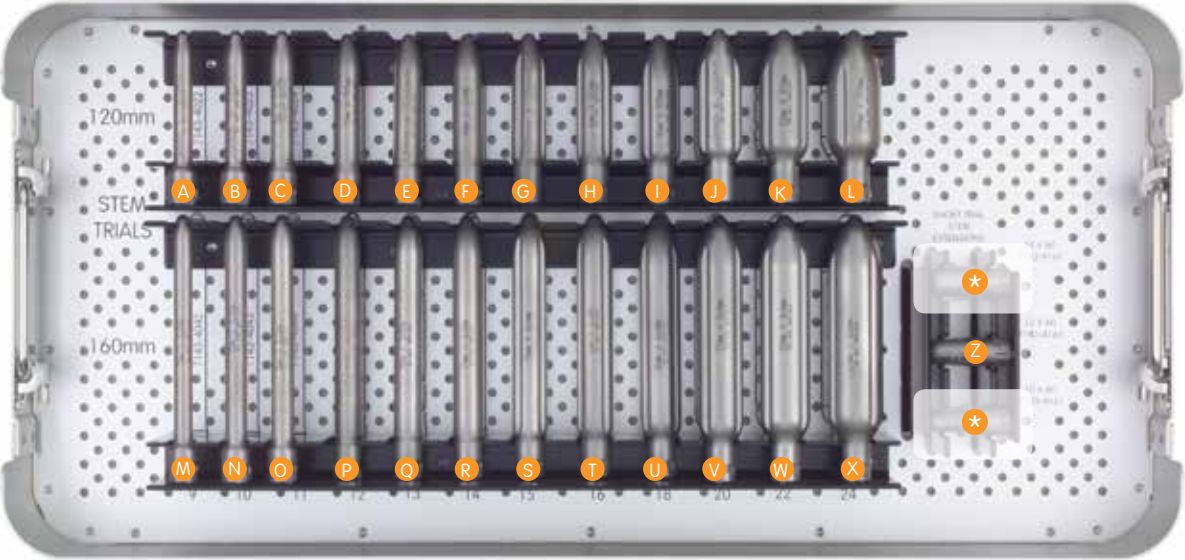
Tray #7143-4121 Reamers Tray (Upper)

| Catalog Item | Description | Ref. |
|--------------|-------------------------|------|
| 7143-4308 | Stem Counterbore Reamer | A |
| 7143-4309 | 9mm Reamer | B |
| 7143-4310 | 10mm Reamer | C |
| 7143-4311 | 11mm Reamer | D |
| 7143-4312 | 12mm Reamer | E |
| 7143-4313 | 13mm Reamer | F |
| 7143-4314 | 14mm Reamer | G |
| 7143-4315 | 15mm Reamer | H |
| 7143-4316 | 16mm Reamer | I |

| Catalog Item | Description | Ref. |
|--------------|-------------------------------|------|
| 7143-4318 | 18mm Reamer | J |
| 7143-4320 | 20mm Reamer | K |
| 7143-4322 | 22mm Reamer | L |
| 7143-4324 | 24mm Reamer | M |
| 7143-4451 | Counterbore Reamer Depth Stop | N |
| 7143-4317 | Trial Stem Connection Rod | O |
| 7144-0002 | 9.5mm Drill | P |

LEGION[®] RK Trays

Case 1 – Tray #7143-4122 – 120 and 160mm Stem Trials Tray (Lower)



* These parts have been discontinued

Tray #7143-4122 – 120 and 160mm Stem Trials Tray (Lower)

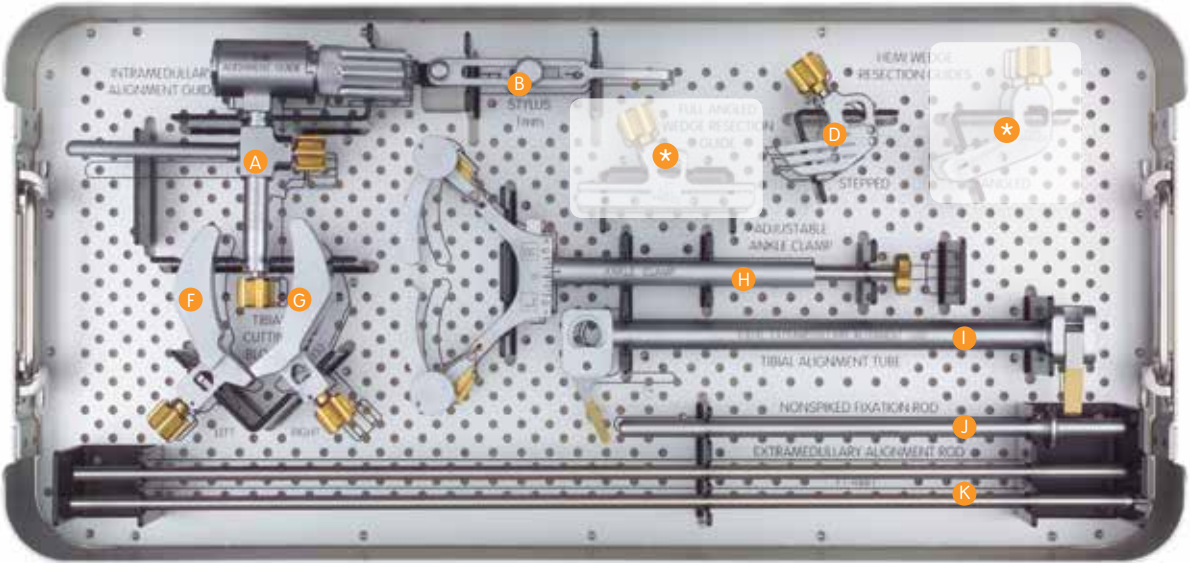
| Catalog Item | Description | Ref. |
|--------------|--------------------------|------|
| 7143-4022 | Stem Trial, 9mm x 120mm | A |
| 7143-4023 | Stem Trial, 10mm x 120mm | B |
| 7143-4024 | Stem Trial, 11mm x 120mm | C |
| 7143-4025 | Stem Trial, 12mm x 120mm | D |
| 7143-4026 | Stem Trial, 13mm x 120mm | E |
| 7143-4027 | Stem Trial, 14mm x 120mm | F |
| 7143-4028 | Stem Trial, 15mm x 120mm | G |
| 7143-4029 | Stem Trial, 16mm x 120mm | H |
| 7143-4031 | Stem Trial, 18mm x 120mm | I |
| 7143-4033 | Stem Trial, 20mm x 120mm | J |
| 7143-4035 | Stem Trial, 22mm x 120mm | K |
| 7143-4037 | Stem Trial, 24mm x 120mm | L |
| 7143-4042 | Stem Trial, 9mm x 160mm | M |
| 7143-4043 | Stem Trial, 10mm x 160mm | N |
| 7143-4044 | Stem Trial, 11mm x 160mm | O |

| Catalog Item | Description | Ref. |
|--------------|-----------------------------|------|
| 7143-4045 | Stem Trial, 12mm x 160mm | P |
| 7143-4046 | Stem Trial, 13mm x 160mm | Q |
| 7143-4047 | Stem Trial, 14mm x 160mm | R |
| 7143-4048 | Stem Trial, 15mm x 160mm | S |
| 7143-4049 | Stem Trial, 16mm x 160mm | T |
| 7143-4051 | Stem Trial, 18mm x 160mm | U |
| 7143-4053 | Stem Trial, 20mm x 160mm | V |
| 7143-4055 | Stem Trial, 22mm x 160mm | W |
| 7143-4057 | Stem Trial, 24mm x 160mm | X |
| 7143-4163 | Stem Extension, 12mm x 80mm | Z |

Note: Stem tray is designed for up to two stems per slot for 12-18mm diameter stems.

LEGION^o RK Trays

Case 2 – Tray #7143-4127 Tibial Instruments Tray (Upper) – Total Case Weight: 24 lb (10.8 Kg)



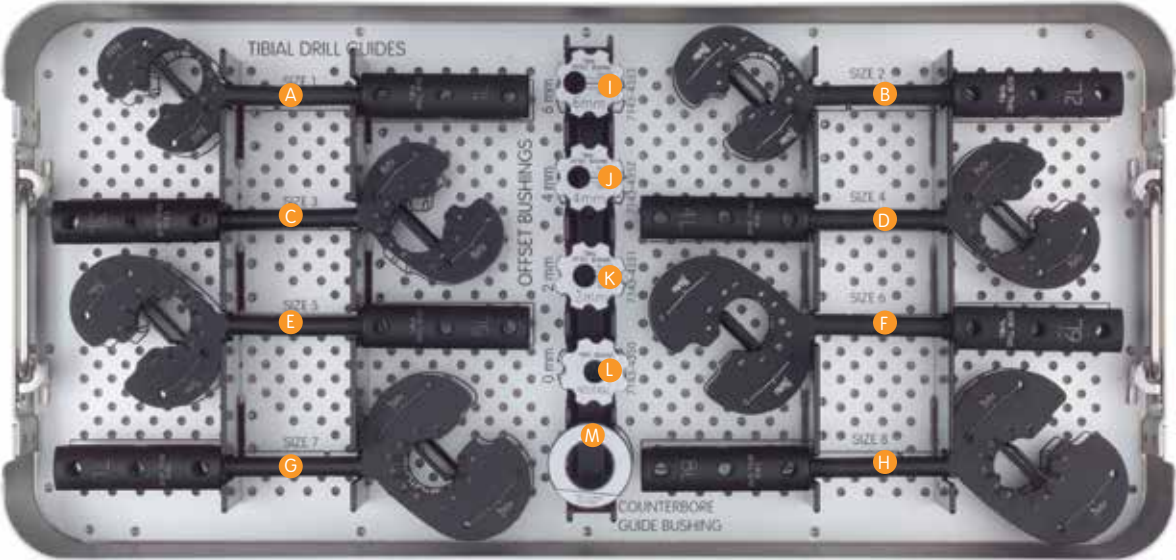
* These parts have been discontinued

Tray #7143-4127 Tibial Instruments Tray (Upper)

| Catalog Item | Description | Ref. |
|--------------|---|------|
| 7143-4330 | Intramedullary Alignment Guide | A |
| 7143-4333 | Tibial Stylus, 1mm | B |
| 7143-4342 | Hemi-Stepped Wedge Resection Guide | D |
| 7143-4331 | Tibial Cutting Block, Left | F |
| 7143-4332 | Tibial Cutting Block, Right | G |
| 7144-0444 | Adjustable Tibial Alignment Ankle Clamp | H |
| 7144-0448 | Tibial Extramedullary Alignment Tube | I |
| 7144-0446 | Nonspiked Fix Rod | J |
| 114861 | Extramedullary Alignment Rod | K |

LEGION[®] RK Trays

Case 2 – Tray #7143-4128 – Tibial Drill guides Tray (Lower)

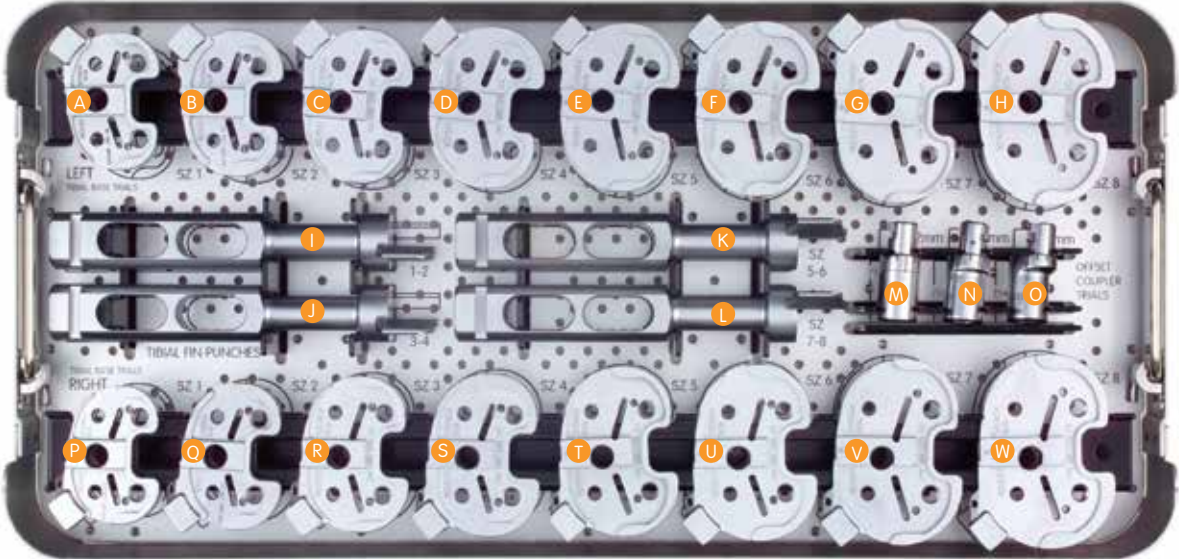


Tray #7143-4128 – Tibial Drill Guides Tray (Lower)

| Catalog Item | Description | Ref. |
|--------------|----------------------------------|------|
| 7143-4334 | Tibial Drill Guide, Size 1 | A |
| 7143-4335 | Tibial Drill Guide, Size 2 | B |
| 7143-4336 | Tibial Drill Guide, Size 3 | C |
| 7143-4337 | Tibial Drill Guide, Size 4 | D |
| 7143-4338 | Tibial Drill Guide, Size 5 | E |
| 7143-4339 | Tibial Drill Guide, Size 6 | F |
| 7143-4340 | Tibial Drill Guide, Size 7 | G |
| 7143-4341 | Tibial Drill Guide, Size 8 | H |
| 7143-4353 | Tibial Offset Bushing, 6mm | I |
| 7143-4352 | Tibial Offset Bushing, 4mm | J |
| 7143-4351 | Tibial Offset Bushing, 2mm | K |
| 7143-4350 | Tibial Offset Bushing, 0mm | L |
| 7143-4349 | Tibial Counterbore Guide Bushing | M |

LEGION[®] RK Trays

Case 3 – Tray #7143-4129 Tibial Base Trials Tray (Upper) – Total Case Weight: 32 lb (14.5 Kg)



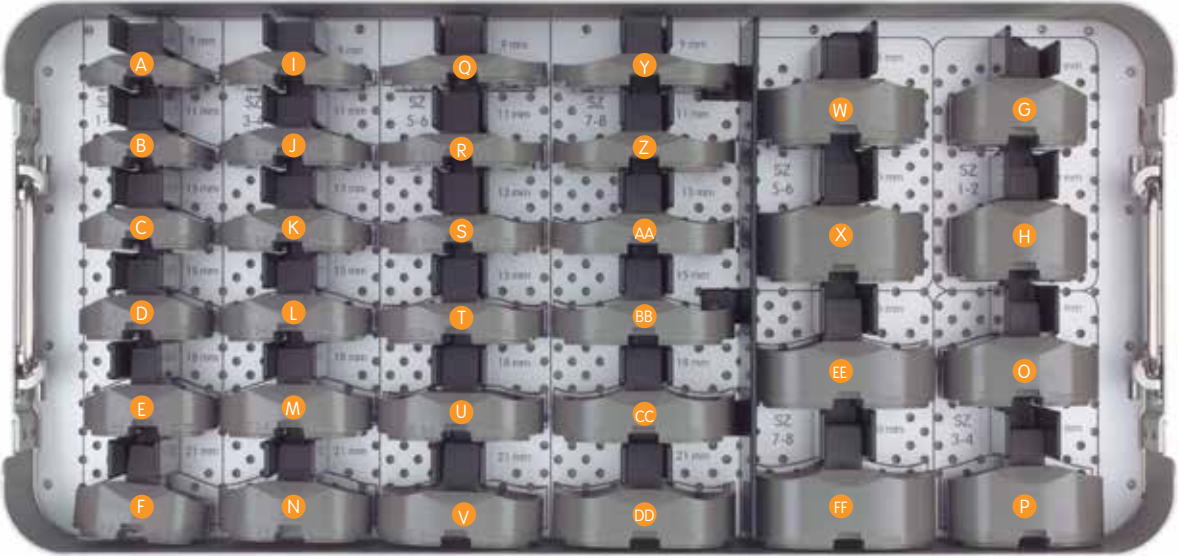
Tray #7143-4129 Tibial Base Trials Tray (Upper)

| Catalog Item | Description | Ref. |
|--------------|--|------|
| 7145-4001 | Revision Tibial Base Trial, Size 1, Left | A |
| 7145-4002 | Revision Tibial Base Trial, Size 2, Left | B |
| 7145-4003 | Revision Tibial Base Trial, Size 3, Left | C |
| 7145-4004 | Revision Tibial Base Trial, Size 4, Left | D |
| 7145-4005 | Revision Tibial Base Trial, Size 5, Left | E |
| 7145-4006 | Revision Tibial Base Trial, Size 6, Left | F |
| 7145-4007 | Revision Tibial Base Trial, Size 7, Left | G |
| 7145-4008 | Revision Tibial Base Trial, Size 8, Left | H |
| 7143-4345 | Tibial Fin Punch 1-2 | I |
| 7143-4346 | Tibial Fin Punch 3-4 | J |
| 7143-4347 | Tibial Fin Punch 5-6 | K |
| 7143-4348 | Tibial Fin Punch 7-8 | L |
| 7143-4302 | Offset Coupler Trial, 2mm | M |
| 7143-4304 | Offset Coupler Trial, 4mm | N |
| 7143-4306 | Offset Coupler Trial, 6mm | O |

| Catalog Item | Description | Ref. |
|--------------|---|------|
| 7145-4011 | Revision Tibial Base Trial, Size 1, Right | P |
| 7145-4012 | Revision Tibial Base Trial, Size 2, Right | Q |
| 7145-4013 | Revision Tibial Base Trial, Size 3, Right | R |
| 7145-4014 | Revision Tibial Base Trial, Size 4, Right | S |
| 7145-4015 | Revision Tibial Base Trial, Size 5, Right | T |
| 7145-4016 | Revision Tibial Base Trial, Size 6, Right | U |
| 7145-4017 | Revision Tibial Base Trial, Size 7, Right | V |
| 7145-4018 | Revision Tibial Base Trial, Size 8, Right | W |

LEGION[®] RK Trays

Case 3 – Tray #7143-4131 Constrained Tibial Trial Inserts Tray (Bottom)



Tray #7143-4131 Constrained Tibial Trial Inserts Tray (Bottom)

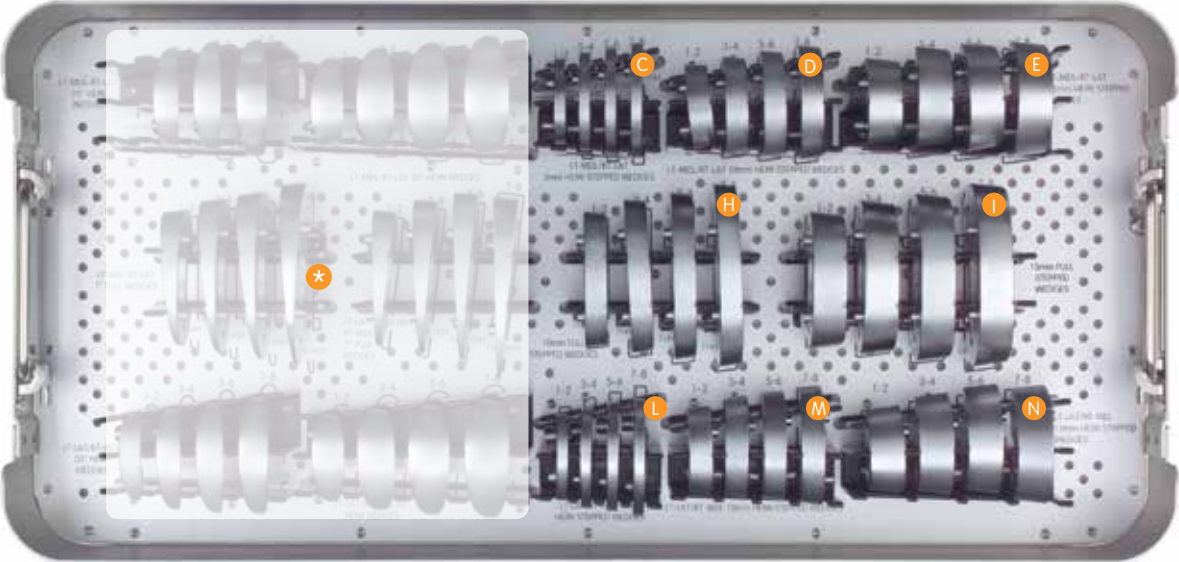
| Catalog Item | Description | Ref. |
|--------------|--------------------------------------|------|
| 7143-4231 | Tibial Insert Trial, 9mm, Sizes 1-2 | A |
| 7143-4232 | Tibial Insert Trial, 11mm, Sizes 1-2 | B |
| 7143-4233 | Tibial Insert Trial, 13mm, Sizes 1-2 | C |
| 7143-4234 | Tibial Insert Trial, 15mm, Sizes 1-2 | D |
| 7143-4235 | Tibial Insert Trial, 18mm, Sizes 1-2 | E |
| 7143-4236 | Tibial Insert Trial, 21mm, Sizes 1-2 | F |
| 7143-4237 | Tibial Insert Trial, 25mm, Sizes 1-2 | G |
| 7143-4238* | Tibial Insert Trial, 30mm, Sizes 1-2 | H |
| 7143-4241 | Tibial Insert Trial, 9mm, Sizes 3-4 | I |
| 7143-4242 | Tibial Insert Trial, 11mm, Sizes 3-4 | J |
| 7143-4243 | Tibial Insert Trial, 13mm, Sizes 3-4 | K |
| 7143-4244 | Tibial Insert Trial, 15mm, Sizes 3-4 | L |
| 7143-4245 | Tibial Insert Trial, 18mm, Sizes 3-4 | M |
| 7143-4246 | Tibial Insert Trial, 21mm, Sizes 3-4 | N |
| 7143-4247 | Tibial Insert Trial, 25mm, Sizes 3-4 | O |
| 7143-4248* | Tibial Insert Trial, 30mm, Sizes 3-4 | P |

| Catalog Item | Description | Ref. |
|--------------|--------------------------------------|------|
| 7143-4251 | Tibial Insert Trial, 9mm, Sizes 5-6 | Q |
| 7143-4252 | Tibial Insert Trial, 11mm, Sizes 5-6 | R |
| 7143-4253 | Tibial Insert Trial, 13mm, Sizes 5-6 | S |
| 7143-4254 | Tibial Insert Trial, 15mm, Sizes 5-6 | T |
| 7143-4255 | Tibial Insert Trial, 18mm, Sizes 5-6 | U |
| 7143-4256 | Tibial Insert Trial, 21mm, Sizes 5-6 | V |
| 7143-4257 | Tibial Insert Trial, 25mm, Sizes 5-6 | W |
| 7143-4258* | Tibial Insert Trial, 30mm, Sizes 5-6 | X |
| 7143-4261 | Tibial Insert Trial, 9mm, Sizes 7-8 | Y |
| 7143-4262 | Tibial Insert Trial, 11mm, Sizes 7-8 | Z |
| 7143-4263 | Tibial Insert Trial, 13mm, Sizes 7-8 | AA |
| 7143-4264 | Tibial Insert Trial, 15mm, Sizes 7-8 | BB |
| 7143-4265 | Tibial Insert Trial, 18mm, Sizes 7-8 | CC |
| 7143-4266 | Tibial Insert Trial, 21mm, Sizes 7-8 | DD |
| 7143-4267 | Tibial Insert Trial, 25mm, Sizes 7-8 | EE |
| 7143-4268* | Tibial Insert Trial, 30mm, Sizes 7-8 | FF |

* Availability may vary by country or territory.

LEGION[®] RK Trays

Case 4 – Tray #7143-4132 Tibial Wedge Trials – Total Case Weight: 23 lb (10.6 kg)



* These parts have been discontinued

Tray #7143-4132 Tibial Wedge Trials

| Catalog Item | Description | Ref. |
|--------------|-------------|------|
|--------------|-------------|------|

5mm Hemi-Stepped Tibial Wedge Trials

| | | |
|----------------|--------------------------------|---|
| 7145-1141 - 44 | Sizes 1-2, 3-4, 5-6, 7-8 LM/RL | C |
| 7145-1145 - 48 | Sizes 1-2, 3-4, 5-6, 7-8 LL/RM | L |

10mm Hemi-Stepped Tibial Wedge Trials

| | | |
|----------------|--------------------------------|---|
| 7145-1033 - 36 | Sizes 1-2, 3-4, 5-6, 7-8 LM/RL | D |
| 7145-1037 - 40 | Sizes 1-2, 3-4, 5-6, 7-8 LL/RM | M |

| Catalog Item | Description | Ref. |
|--------------|-------------|------|
|--------------|-------------|------|

15mm Hemi-Stepped Tibial Wedge Trials

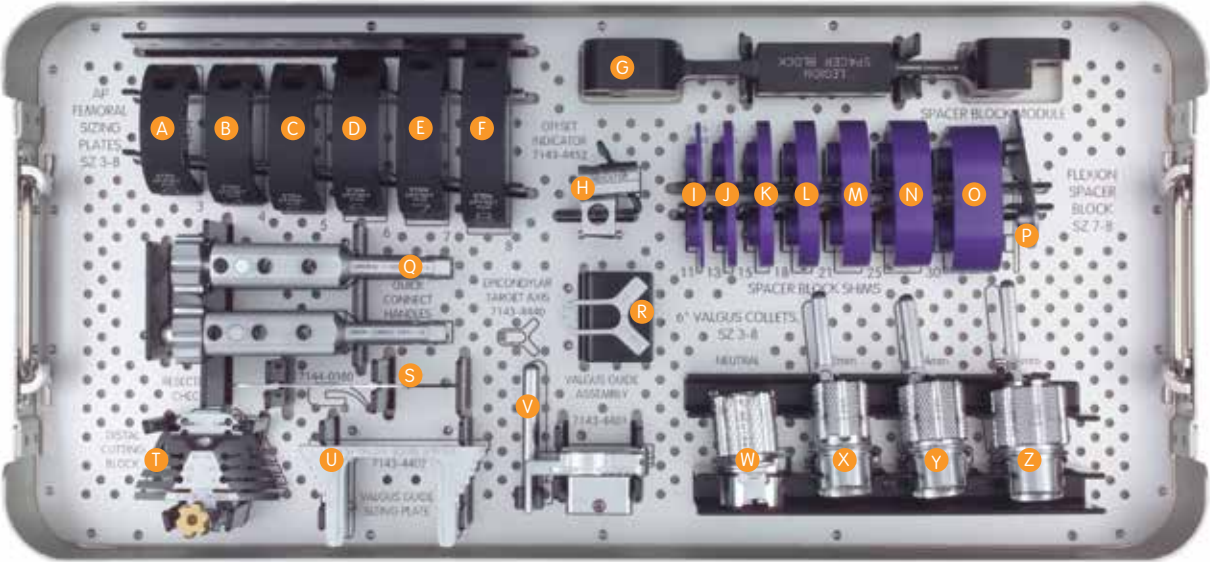
| | | |
|----------------|--------------------------------|---|
| 7145-1041 - 44 | Sizes 1-2, 3-4, 5-6, 7-8 LM/RL | E |
| 7145-1045 - 48 | Sizes 1-2, 3-4, 5-6, 7-8 LL/RM | N |

Full-Step Tibial Wedge Trials

| | | |
|----------------|---------------------------------|---|
| 7145-1057 - 60 | Sizes 1-2, 3-4, 5-6, 7-8 - 10mm | H |
| 7145-1061 - 64 | Sizes 1-2, 3-4, 5-6, 7-8 - 15mm | I |

LEGION[®] RK Trays

Case 5 – Tray #7143-4125 Femoral A/P Sizer Tray (Upper) – Total Case Weight: 31 lb (13.9 kg)



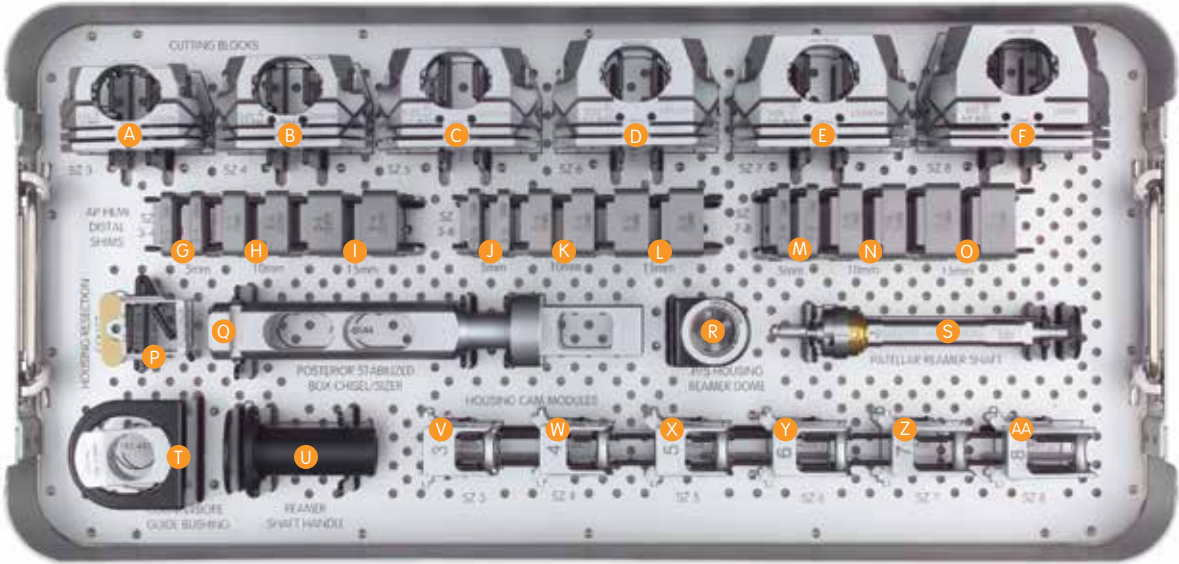
Tray #7143-4125 Femoral A/P Sizer Tray (Upper)

| Catalog Item | Description | Ref. |
|--------------|----------------------------------|------|
| 7143-4434 | A/P Femoral Sizing Plate, Size 3 | A |
| 7143-4435 | A/P Femoral Sizing Plate, Size 4 | B |
| 7143-4436 | A/P Femoral Sizing Plate, Size 5 | C |
| 7143-4437 | A/P Femoral Sizing Plate, Size 6 | D |
| 7143-4438 | A/P Femoral Sizing Plate, Size 7 | E |
| 7143-4439 | A/P Femoral Sizing Plate, Size 8 | F |
| 7143-4441 | Spacer Block Module | G |
| 7143-4452 | Offset Indicator | H |
| 7143-4442 | Spacer Block Shim, 11mm | I |
| 7143-4443 | Spacer Block Shim, 13mm | J |
| 7143-4444 | Spacer Block Shim, 15mm | K |
| 7143-4445 | Spacer Block Shim, 18mm | L |
| 7143-4446 | Spacer Block Shim, 21mm | M |
| 7143-4447 | Spacer Block Shim, 25mm | N |
| 7143-4448 | Spacer Block Shim, 30mm | O |

| Catalog Item | Description | Ref. |
|--------------|--|------|
| 7143-4450 | Flexion Spacer Block, Size 7-8 | P |
| 7144-0045 | Quick Connect Handle | Q |
| 7143-4440 | Epicondylar Axis Target | R |
| 7144-0380 | Resection Check | S |
| 7143-4403 | Distal Femoral Cutting Block | T |
| 7143-4402 | Valgus Guide Sizing Plate | U |
| 7143-4401 | Valgus Guide Assembly | V |
| 7143-4404 | 6° Valgus Collet Neutral, Size 3-8 | W |
| 7143-4405 | 6° Valgus Collet, 2mm Offset, Size 3-8 | X |
| 7143-4406 | 6° Valgus Collet, 4mm Offset, Size 3-8 | Y |
| 7143-4407 | 6° Valgus Collet, 6mm Offset, Size 3-8 | Z |

LEGION^o RK Trays

Case 5 – Tray #7143-4126 Femoral Instruments Tray (Lower)



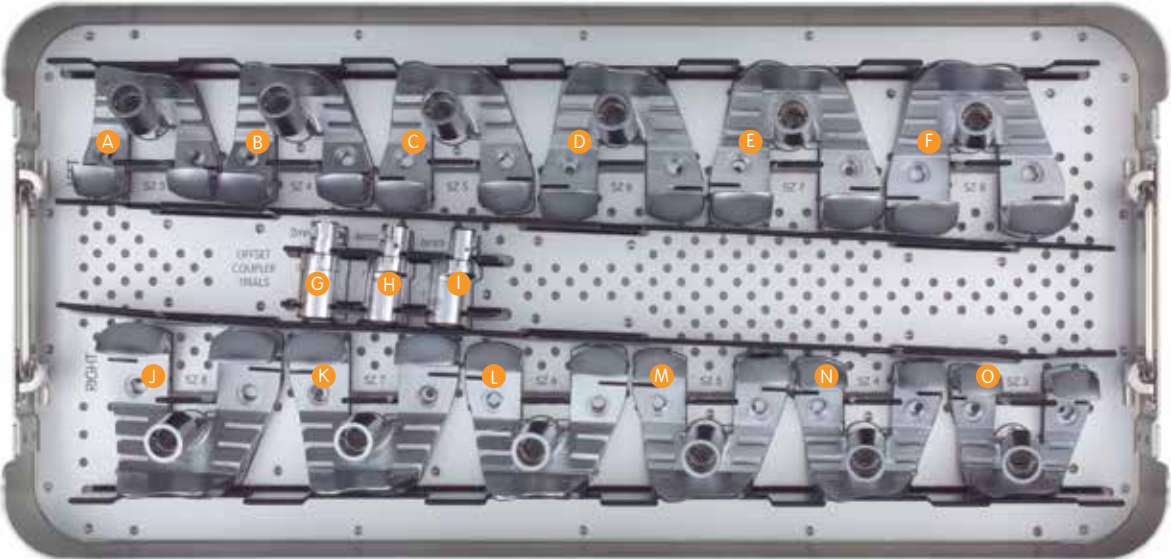
Tray #7143-4126 Femoral Instruments Tray (Lower)

| Catalog Item | Description | Qty. | Ref. |
|--------------|---------------------------------------|------|------|
| 7143-4408 | A/P Femoral Cutting Block, Size 3 | 1 | A |
| 7143-4409 | A/P Femoral Cutting Block, Size 4 | 1 | B |
| 7143-4410 | A/P Femoral Cutting Block, Size 5 | 1 | C |
| 7143-4411 | A/P Femoral Cutting Block, Size 6 | 1 | D |
| 7143-4412 | A/P Femoral Cutting Block, Size 7 | 1 | E |
| 7143-4413 | A/P Femoral Cutting Block, Size 8 | 1 | F |
| 7143-4414 | A/P Hemi-Distal Shim, 5mm, Sizes 3-4 | 2 | G |
| 7143-4415 | A/P Hemi-Distal Shim, 10mm, Sizes 3-4 | 2 | H |
| 7143-4416 | A/P Hemi-Distal Shim, 15mm, Sizes 3-4 | 2 | I |
| 7143-4417 | A/P Hemi-Distal Shim, 5mm, Sizes 5-6 | 2 | J |
| 7143-4418 | A/P Hemi-Distal Shim, 10mm, Sizes 5-6 | 2 | K |
| 7143-4419 | A/P Hemi-Distal Shim, 15mm, Sizes 5-6 | 2 | L |
| 7143-4420 | A/P Hemi-Distal Shim, 5mm, Sizes 7-8 | 2 | M |
| 7143-4421 | A/P Hemi-Distal Shim, 10mm, Sizes 7-8 | 2 | N |
| 7143-4422 | A/P Hemi-Distal Shim, 15mm, Sizes 7-8 | 2 | O |

| Catalog Item | Description | Qty. | Ref. |
|--------------|--------------------------------------|------|------|
| 7143-4424 | Housing Resection Collet, Sizes 3-8 | 1 | P |
| 7144-0144 | Housing Box Chisel/Sizer | 1 | Q |
| 7144-0145 | PS Housing Reamer Dome | 1 | R |
| 7144-0324 | Housing Reamer Shaft | 1 | S |
| 7143-4432 | Counterbore Bushing Guide, Sizes 3-8 | 1 | T |
| 7144-0464 | PS Reamer Shaft Handle | 1 | U |
| 7143-4426 | Housing Cam Module, Size 3 | 1 | V |
| 7143-4427 | Housing Cam Module, Size 4 | 1 | W |
| 7143-4428 | Housing Cam Module, Size 5 | 1 | X |
| 7143-4429 | Housing Cam Module, Size 6 | 1 | Y |
| 7143-4430 | Housing Cam Module, Size 7 | 1 | Z |
| 7143-4431 | Housing Cam Module, Size 8 | 1 | AA |

LEGION^o RK Trays

Case 6 – Tray #7143-4123 Femoral Trials Tray (Sizes 3-8) (Upper) – Total Case Weight: 31 lb (13.9 kg)



Tray #7143-4123 Femoral Trials Tray (Sizes 3-8) (Upper)

| Catalog Item | Description | Ref. |
|--------------|---|------|
| 7143-1163 | Ream-through Femoral Trial, Stemable, Size 3, Left | A |
| 7143-1164 | Ream-through Femoral Trial, Stemable, Size 4, Left | B |
| 7143-1165 | Ream-through Femoral Trial, Stemable, Size 5, Left | C |
| 7143-1166 | Ream-through Femoral Trial, Stemable, Size 6, Left | D |
| 7143-1167 | Ream-through Femoral Trial, Stemable, Size 7, Left | E |
| 7143-1168 | Ream-through Femoral Trial, Stemable, Size 8, Left | F |
| 7143-4302 | Offset Coupler Trial, 2mm | G |
| 7143-4304 | Offset Coupler Trial, 4mm | H |
| 7143-4306 | Offset Coupler Trial, 6mm | I |
| 7143-1173 | Ream-through Femoral Trial, Stemable, Size 3, Right | J |
| 7143-1174 | Ream-through Femoral Trial, Stemable, Size 4, Right | K |
| 7143-1175 | Ream-through Femoral Trial, Stemable, Size 5, Right | L |
| 7143-1176 | Ream-through Femoral Trial, Stemable, Size 6, Right | M |
| 7143-1177 | Ream-through Femoral Trial, Stemable, Size 7, Right | N |
| 7143-1178 | Ream-through Femoral Trial, Stemable, Size 8, Right | O |

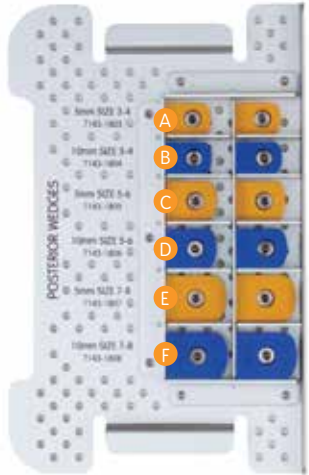
| Catalog Item | Description | Ref. |
|--------------|---|-------------|
| 7143-1162 | Ream-through Femoral Trial, Stemable, Size 2, Left | Not in tray |
| 7143-1172 | Ream-through Femoral Trial, Stemable, Size 2, Right | Not in tray |

LEGION[®] RK Trays

Case 6 – Tray #7143-4124 Femoral Wedge Trials Tray (Sizes 3-8) (Lower)



Tray #7143-4124 Posterior Wedge Trials (Sizes 3-8) (Lower Tray Insert)



Tray #7143-4124 Femoral Wedge Trials Tray (Sizes 3-8) (Lower)

| Catalog Item | Description | Qty. | Ref. |
|------------------------------------|--------------------------------|------|-------|
| Distal Femoral wedge trials | | | |
| 7143-1657, 61, 64, 67, 71 and 74 | Size 3, 4, 5, 6, 7 and 8, 5mm | 2 ea | A3-A8 |
| 7143-1658, 62, 65, 68, 72 and 75 | Size 3, 4, 5, 6, 7 and 8, 10mm | 2 ea | B3-B8 |
| 7143-1659, 63, 66, 69, 73 and 76 | Size 3, 4, 5, 6, 7 and 8, 15mm | 2 ea | C3-C8 |

L-Wedge Trials

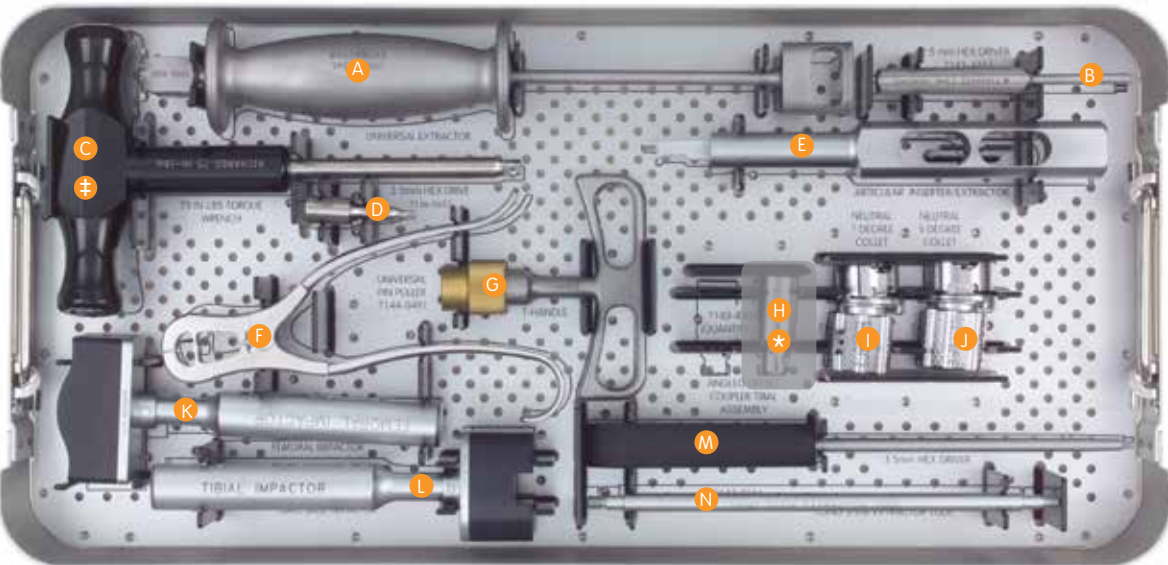
| | | | |
|----------------------------------|--|------|-------|
| 7143-1721, 31, 41, 51, 61 and 71 | Size 3, 4, 5, 6, 7 and 8, 5mm Distal x 5mm Posterior | 2 ea | D3-D8 |
| 7143-1722, 32, 42, 52, 62 and 72 | Size 3, 4, 5, 6, 7 and 8, 5mm Distal x 10mm Posterior | 2 ea | E3-E8 |
| 7143-1723, 33, 43, 53, 63 and 73 | Size 3, 4, 5, 6, 7 and 8, 10mm Distal x 5mm Posterior | 2 ea | F3-F8 |
| 7143-1724, 34, 44, 54, 64 and 74 | Size 3, 4, 5, 6, 7 and 8, 10mm Distal x 10mm Posterior | 2 ea | G3-G8 |
| 7143-1725, 35, 45, 55, 65 and 75 | Size 3, 4, 5, 6, 7 and 8, 15mm Distal x 5mm Posterior | 2 ea | H3-H8 |
| 7143-1726, 36, 46, 56, 66 and 76 | Size 3, 4, 5, 6, 7 and 8, 15mm Distal x 10mm Posterior | 2 ea | J3-J8 |

Tray #7143-4124 Posterior Wedge Trials (Sizes 3-8) (Lower Tray Insert)

| Catalog Item | Description | Qty. | Ref. |
|--------------|----------------|------|------|
| 7143-1803 | Size 3-4, 5mm | 2 ea | A |
| 7143-1804 | Size 3-4, 10mm | 2 ea | B |
| 7143-1805 | Size 5-6, 5mm | 2 ea | C |
| 7143-1806 | Size 5-6, 10mm | 2 ea | D |
| 7143-1807 | Size 7-8, 5mm | 2 ea | E |
| 7143-1808 | Size 7-8, 10mm | 2 ea | F |

LEGION[®] RK Trays

Case 7 – Tray #7143-4133 Miscellaneous Instruments Tray (Upper) – Total Case Weight: 29 lb (13.0 kg)



‡ The appearance or version of the torque wrench may vary. * Availability may vary by country or territory.

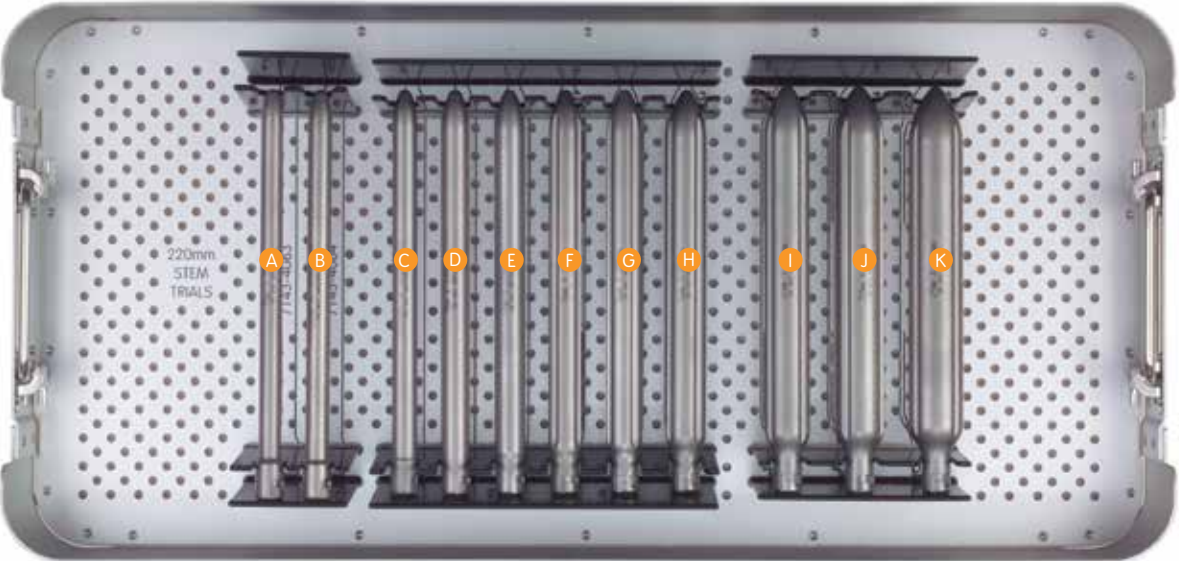
Tray #7143-4133 Miscellaneous Instruments Tray (Upper)

| Catalog Item | Description | Ref. |
|--------------|-------------------------------------|------|
| 7144-0366 | Universal Extractor | A |
| 7143-4455 | 2.5mm Hexdriver | B |
| 7156-5658 | Torque Wrench, 85 Inch-Pound | C |
| 7156-5657 | Torque Bit, 3.5mm | D |
| 7144-0194 | Articular Inserter/Extractor | E |
| 7144-0491 | Pin Puller | F |
| 7163-1172 | IM Rod T-Handle | G |
| 7143-4301* | Offset Coupler Trial, Angled | H |
| 7143-4454 | 7° Valgus Collet Neutral, Size 3-8 | I |
| 7143-4453 | 5° Valgus Collett Neutral, Size 3-8 | J |
| 7144-0190 | Femoral Impactor | K |
| 7144-0192 | Tibial Baseplate Impactor | L |
| 115035 | 3.5mm Hex Screwdriver | M |
| 7144-0186 | Long Stem Extractor Tool | N |

* Availability may vary by country or territory.

LEGION[®] RK Trays

Case 7 – Tray #7143-4134 220mm Stem Trials Tray (Lower)



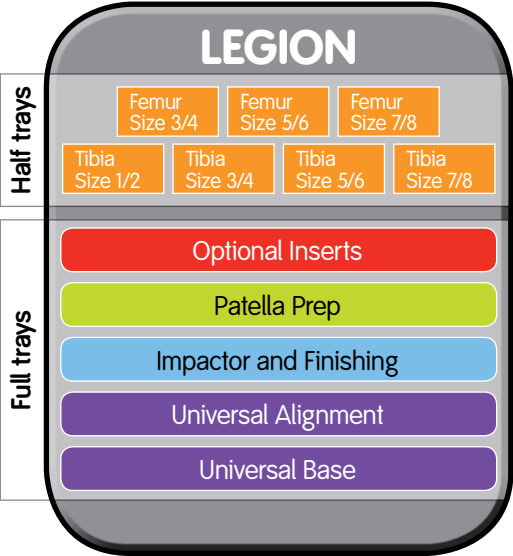
Tray #7143-4134 220mm Stem Trials Tray (Lower)**

| Catalog Item | Description | Ref. |
|--------------|-----------------------------------|------|
| 7143-4063 | Stem Trial 10mm x 220mm, Straight | A |
| 7143-4064 | Stem Trial 11mm x 220mm, Straight | B |
| 7143-4065 | Stem Trial 12mm x 220mm, Straight | C |
| 7143-4066 | Stem Trial 13mm x 220mm, Straight | D |
| 7143-4067 | Stem Trial 14mm x 220mm, Straight | E |
| 7143-4068 | Stem Trial 15mm x 220mm, Straight | F |
| 7143-4069 | Stem Trial 16mm x 220mm, Straight | G |
| 7143-4071 | Stem Trial 18mm x 220mm, Straight | H |
| 7143-4073 | Stem Trial 20mm x 220mm, Straight | I |
| 7143-4075 | Stem Trial 22mm x 220mm, Straight | J |
| 7143-4077 | Stem Trial 24mm x 220mm, Straight | K |

* Note: Stem tray is designed for up to two stems per slot for 12-18mm diameter stems.

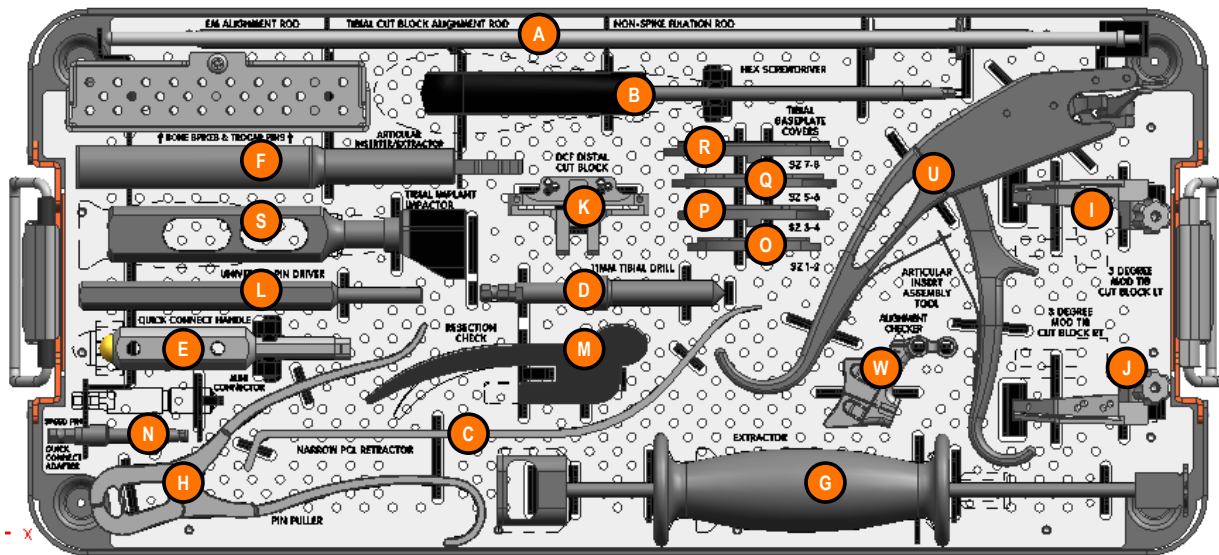
** Availability may vary by country or territory.

LEGION[◊] Universal Trays – Configuration Overview



Universal Base Tray

Case #7144-0843



7144-0843 Universal Base Tray

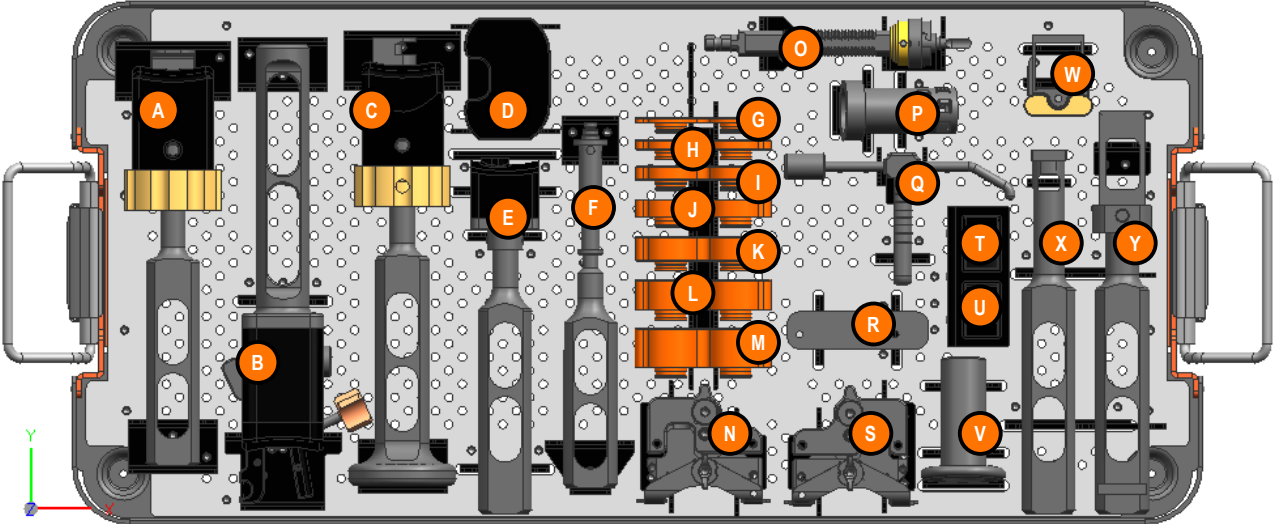
| Catalog Item | Description | Qty. | Ref. |
|--------------|--|------|------|
| 114861 | Extramedullary Alignment Rod | 1 | A |
| 115035 | HEX Screwdriver | 1 | B |
| 7144-0020 | GENESIS [®] II Narrow PCL Retractor | 1 | C |
| 7144-0040 | GENESIS II 11mm Tibial Drill | 1 | D |
| 7144-0044 | GENESIS II Quick Connect Handle | 2 | E |
| 7144-0194 | GENESIS II Articular Inserter/Extract | 1 | F |
| 7144-0366 | GENESIS II Universal Extractor | 1 | G |
| 7144-0491 | Pin Puller | 1 | H |
| 7144-1136 | GENESIS II MI IN SLT 3 MO TI CU BL LT | 1 | I |
| 7144-1137 | GENESIS II MI IN SLT 3 MO TI CU BL RT | 1 | J |
| 7144-1147 | GENESIS II MIS DCF Distal Cut Blk | 1 | K |
| 7151-3331 | Universal Pin Driver | 1 | L |
| 7401-2431 | JOURNEY [®] Resection Check | 1 | M |
| 7401-3489 | SPEED PIN [®] QK Connect Adapter | 1 | N |
| 7401-8821 | JOURNEY TIB Base Cover Size 1-2 | 1 | O |
| 7401-8823 | JOURNEY TIB Base Cover Size 3-4 | 1 | P |
| 7401-8825 | JOURNEY TIB Base Cover Size 5-6 | 1 | Q |
| 7401-8827 | JOURNEY TIB Base Cover Size 7-8 | 1 | R |
| 7401-8901 | JOURNEY Tibial Impl Impactor | 1 | S |

* Not part of standard set

| Catalog Item | Description | Qty. | Ref. |
|--------------|---|------|------|
| 7144-0843 | Tray 1 Universal Base | 1 | N/A |
| 7401-8911 | JOURNEY Art Isrt Assm Tool | 1 | U |
| 7401-0406 | Universal Standard Lid | 1 | N/A |
| 7193-4298* | VISIONAIRE [®] Alignment Checker | N/A* | W |

Universal Alignment Tray

Case #7144-0844

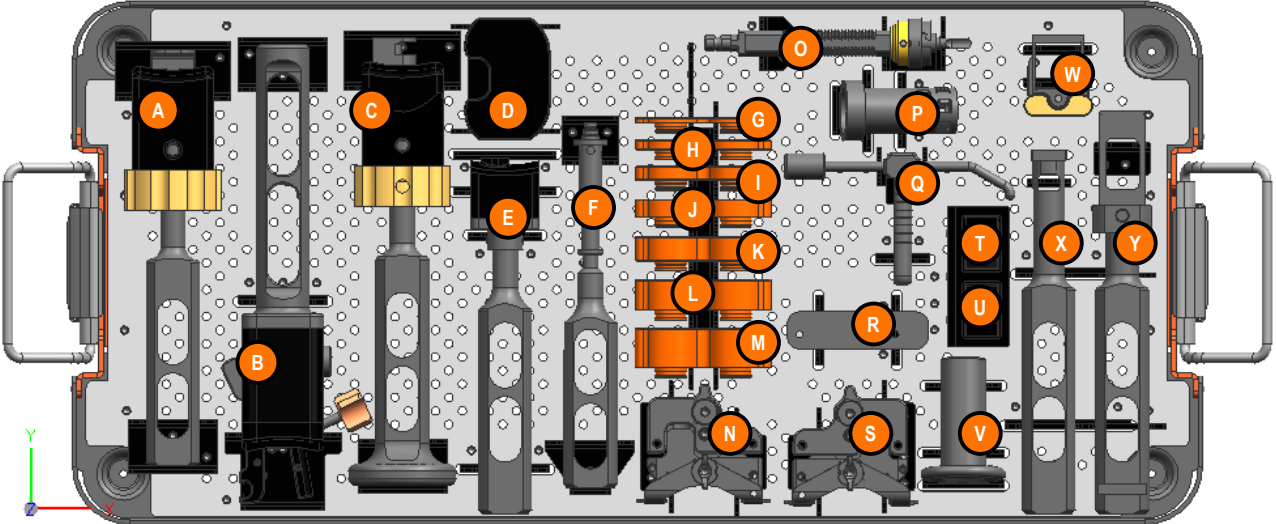


7144-0844 Universal Alignment Tray

| Catalog | Description | Qty. | Ref. |
|-----------|---------------------------------------|------|------|
| 7144-0014 | GENESIS° II Fem Five Dg Valgus Bush | 1 | A |
| 7144-0016 | GENESIS II Fem Six Deg Valgus Bushing | 1 | B |
| 7144-0018 | GENESIS II Fem Seven Deg Valgus Bush | 1 | C |
| 7144-0200 | GENESIS II Intra Tib Alignment | 1 | D |
| 7144-0444 | GENESIS II Adjustable Ankle Clamp | 1 | E |
| 7144-0446 | GENESIS II Non Spike-Fixation Rod | 1 | F |
| 7144-0448 | GENESIS II Tibial Alignment Tube | 1 | G |
| 7144-0844 | Tray 2 Universal Alignment | 1 | N/A |
| 7144-0198 | GENESIS II Tib Align Spiked Fix Rod | 1 | I |
| 7144-1143 | GENESIS II Mis Tibial Stylus | 1 | J |
| 7144-1144 | GENESIS II Mis DCF Align Gde | 1 | K |
| 7144-1148 | GENESIS II Mis Tib Blck Align Rod | 1 | L |
| 7151-2035 | Pro 8mm Im Rod Short | 1 | M |
| 7151-2040 | Pro 8mm Im Rod Long | 1 | N |
| 7401-2111 | JOURNEY° Intra Drill 9.5mm | 1 | O |
| 7111-0080 | Quick Release T-Handle | 1 | P |
| 7401-0406 | Universal Standard Lid | 1 | N/A |

LEGION[®] Impactor and Finishing Tray

Case #7144-0281



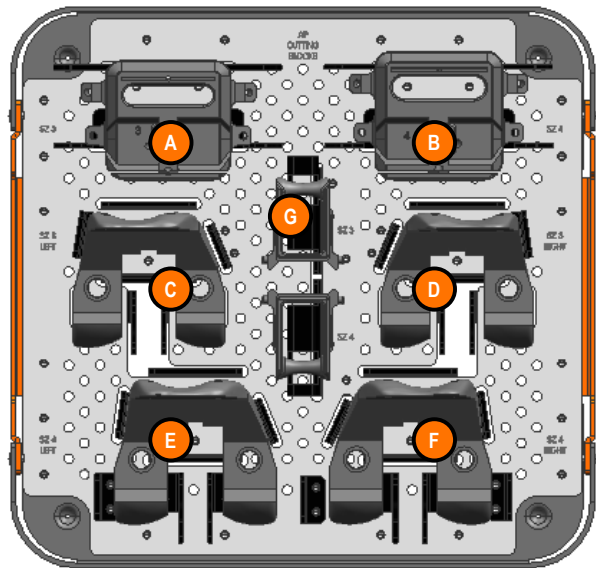
7144-0281 LEGION® Impactor and Finishing Tray

| Catalog Item | Description | Qty. | Ref. |
|--------------|---|------|------|
| 7144-0005 | Femoral Implant Impactor | 1 | B |
| 7144-0009 | Femoral Trial Impactor | 1 | A |
| 7144-0860 | GENESIS® II Post Ref Downsizing Drill Guide | 1 | R |
| 7144-0890 | GENESIS II OXINIUM® Femoral Impactor | 1 | C |
| 7144-0190 | GENESIS II Femoral Impactor | 1 | E |
| 7144-0145 | GENESIS II P/S Constrained System Housing Reamer Dome | 1 | P |
| 7144-1140 | GENESIS II Mis DCF Sizing Stylus | 1 | Q |
| 7144-0281 | LEGION Impactor And Finishing Tray | 1 | N/A |
| 7144-0373 | Box Chisel | 1 | Y |
| 7144-0464 | GENESIS II Posterior Stabilized Reamer Shaft Handle | 1 | V |
| 7144-1552 | GENESIS II PS High Flexion Insert Impactor Handle | 1 | X |
| 7144-1553 | GENESIS II PS High Flexion Insert Impactor Head Size 1-2 | 1 | T |
| 7144-1554 | GENESIS II PS High Flexion Insert Impactor Head Size 3-8 | 1 | U |

| Catalog Item | Description | Qty. | Ref. |
|--------------|--|------|------|
| 7401-8603 | JOURNEY® Flexion Extension Block Standard | 1 | D |
| 7401-8608 | JOURNEY Flexion Extension Spacer 9mm | 1 | G |
| 7401-8611 | JOURNEY Flexion Extension Spacer 11mm | 1 | H |
| 7401-8613 | JOURNEY Flexion Extension Spacer 13mm | 1 | I |
| 7401-8615 | JOURNEY Flexion Extension Spacer 15mm | 1 | J |
| 7401-8618 | JOURNEY Flexion Extension Spacer 18mm | 1 | K |
| 7401-8621 | JOURNEY Flexion Extension Spacer 21mm | 1 | L |
| 7143-4424 | LEGION Housing Resection Collet Size 3-8 | 1 | W |
| 7144-0324 | GENESIS II Patellar Reamer Shaft | 1 | O |
| 7144-0183 | GENESIS II Femoral Lug Punch | 1 | F |
| 7144-0007 | GENESIS II DCF Variable Sizing Guide Left | 1 | N |
| 7144-0008 | GENESIS II DCF Variable Sizing Guide Right | 1 | S |
| 7401-8625 | JOURNEY Flexion Extension Spacer 25mm | 1 | M |

LEGION^o Femoral Size 3-4 Tray

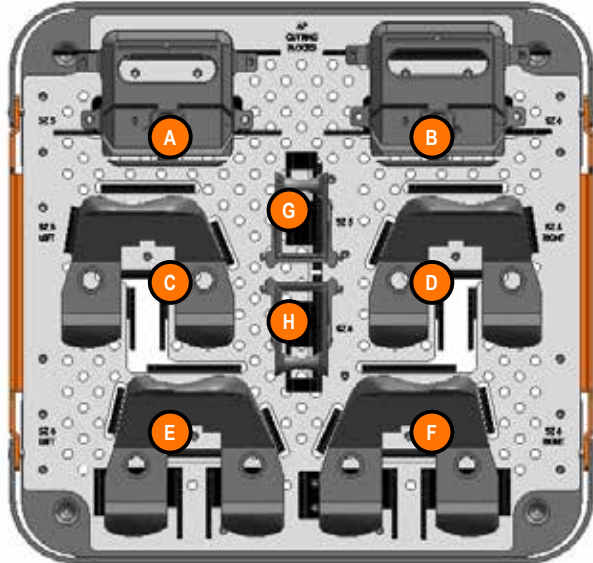
Case #7144-0287



| Catalog Item | Description | Qty. | Ref. |
|--------------|---|------|------|
| 7143-3343 | GENESIS ^o II Spc Ream Through CR Trial – Size 3 Left | 1 | C |
| 7143-3344 | GENESIS II Spc Ream Through CR Trial – Size 4 Left | 1 | E |
| 7143-3353 | GENESIS II Spc Ream Through CR Trial – Size 3 Right | 1 | D |
| 7143-3363 | GENESIS II Spc P/S Cam Module – Size 3 | 1 | G |
| 7143-3354 | GENESIS II Spc Ream Through CR Trial – Size 4 Right | 1 | F |
| 7143-3364 | GENESIS II Spc P/S Cam Module – Size 4 | 1 | H |
| 7144-0287 | LEGION Femoral Size – 3-4 Tray | 1 | N/A |
| 7144-1151 | GENESIS II Min Inv DCF AP Cutting Block – Size 3 | 1 | A |
| 7144-1152 | GENESIS II Min Inv DCF AP Cutting Block – Size 4 | 1 | B |
| 7401-0407 | Universal Standard Half Tray Lid | 1 | N/A |

LEGION[◇] Femoral Size 5-6 Tray

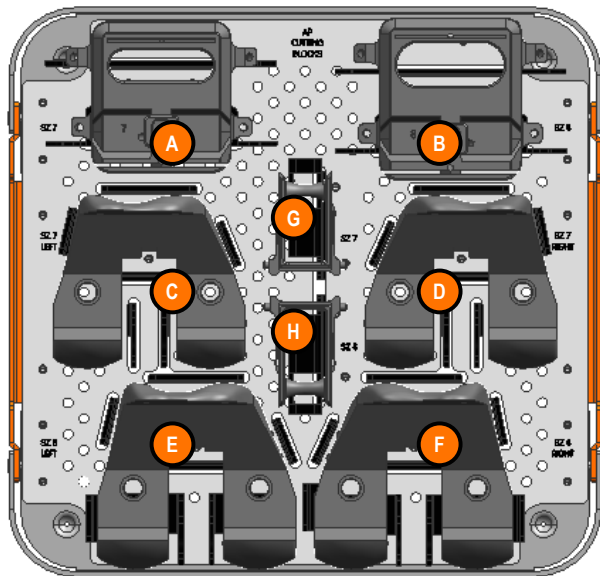
Case #7144-0283



| Catalog Item | Description | Qty. | Ref. |
|--------------|---|------|------|
| 7143-3345 | GENESIS [◇] II Spc Ream Through Cr Trial-Size 5 Left | 1 | C |
| 7143-3355 | GENESIS II Spc Ream Through Cr Trial Size 5 Right | 1 | D |
| 7143-3346 | GENESIS II Spc Ream Through Cr Trial Size 6 Left | 1 | E |
| 7143-3356 | GENESIS II Spc Ream Through Cr Trial Size 6 Right | 1 | F |
| 7143-3365 | GENESIS II Spc P/S Cam Module Size 5 | 1 | G |
| 7143-3366 | GENESIS II Spc P/S Cam Module Size 6 | 1 | H |
| 7144-0283 | LEGION Femoral Size 5-6 Tray | 1 | N/A |
| 7144-1154 | GENESIS II Min Inv DCF AP Cutting Block Size 6 | 1 | B |
| 7144-1153 | GENESIS II Min Inv DCF AP Cutting Block Size 5 | 1 | A |
| 7401-0407 | Universal Standard Half Tray Lid | 1 | N/A |

LEGION[®] Femoral Size 7-8 Tray

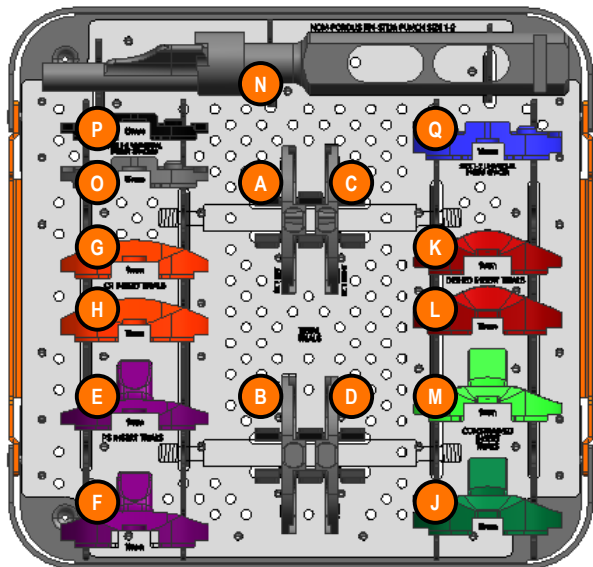
Tray #7144-0285



| Catalog Item | Description | Qty. | Ref. |
|--------------|---|------|------|
| 7143-3347 | GENESIS [®] II Spc Ream Through Cr Trial Size 7 Left | 1 | C |
| 7143-3348 | GENESIS II Spc Ream Through Cr Trial Size 8 Left | 1 | E |
| 7143-3358 | GENESIS II Spc Ream Through Cr Trial Size 8 Right | 1 | F |
| 7143-3357 | GENESIS II Spc Ream Through Cr Trial Size 7 Right | 1 | D |
| 7143-3367 | GENESIS II Spc P/S Cam Module Size 7 | 1 | G |
| 7143-3368 | GENESIS II Spc P/S Cam Module Size 8 | 1 | H |
| 7144-1155 | GENESIS II Min Inv DCF AP Cutting Block Size 7 | 1 | A |
| 7144-0285 | LEGION Femoral Size 7-8 Tray | 1 | N/A |
| 7144-1156 | GENESIS II Min Inv DCF AP Cutting Block Size 8 | 1 | B |
| 7401-0407 | Universal Standard Half Tray Lid | 1 | N/A |

LEGION^o Tibia Size 1-2 Tray

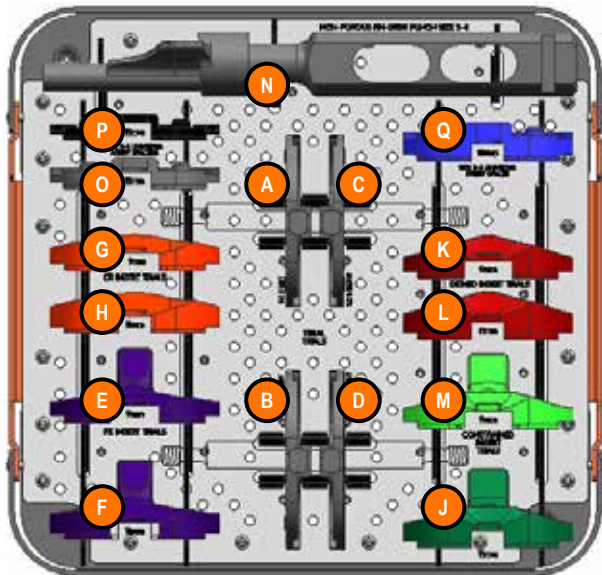
Tray #7143-3132



| Catalog Item | Description | Qty. | Ref. |
|--------------|---|------|------|
| 7143-0161 | GENESIS ^o II Stemless Tibial Trial Size 1 Left | 1 | A |
| 7143-0163 | GENESIS II Stemless Tibial Trial Size 2 Left | 1 | B |
| 7143-0177 | GENESIS II Stemless Tibial Trial Size 1 Right | 1 | C |
| 7143-0179 | GENESIS II Stemless Tibial Trial Size 2 Right | 1 | D |
| 7143-0401 | GENESIS II PS High Flexion Insert Trial Size 1-2 9mm | 1 | E |
| 7143-0402 | GENESIS II PS High Flexion Insert Trial Size 1-2 11mm | 1 | F |
| 7143-0442 | GENESIS II CR Deep Flexion Insert Trial Size 1-2 9mm | 1 | G |
| 7143-0443 | GENESIS II CR Deep Flexion Insert Trial Size 1-2 11mm | 1 | H |
| 7143-0454 | GENESIS II Dished Articular Trial Size 1-2 9mm | 1 | K |
| 7143-0456 | GENESIS II Dished Articular Trial Size 1-2 11mm | 1 | L |
| 7143-0962 | GENESIS II Constrained Articular Trial Size 1-2 11mm | 1 | J |
| 7144-3132 | LEGION Tibia Size 1-2 Tray | 1 | N/A |
| 7144-9991 | GENESIS II Non-Porous Fin-Stem Punch Size 1-2 | 1 | N |
| 7403-3614 | Universal Insert Spacer Size 1-2 13mm | 1 | P |
| 7403-3615 | Universal Insert Spacer Size 1-2 15mm | 1 | O |
| 7144-0471 | GENESIS II SPC Constrained Ins Trial Size 1-2 9mm | 1 | M |
| 7403-3616 | Universal Insert Spacer Size 1-2 18mm | 1 | Q |
| 7401-0407 | Universal Standard Half Tray Lid | 1 | N/A |

LEGION^o Tibia Size 3-4 Tray

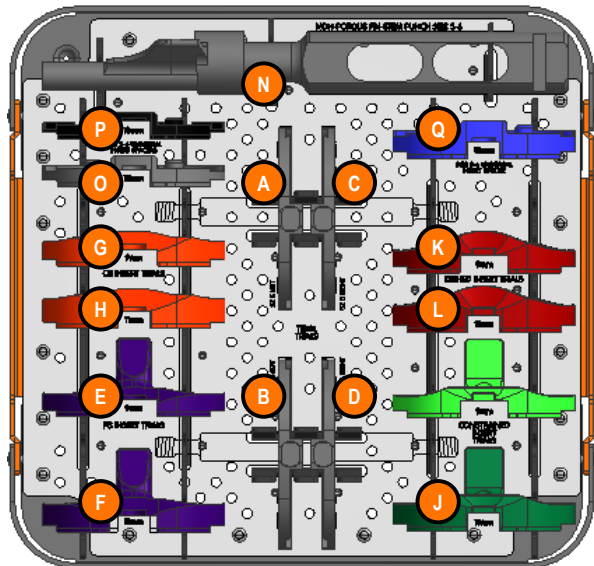
Tray #7143-0032



| Catalog Item | Description | Qty. | Ref. |
|--------------|---|------|------|
| 7143-0032 | LEGION Tibia Size 3-4 Tray | 1 | N/A |
| 7143-0165 | GENESIS ^o II Stemless Tibial Trial Size 3 Left | 1 | A |
| 7143-0167 | GENESIS II Stemless Tibial Trial Size 4 Left | 1 | B |
| 7143-0181 | GENESIS II Stemless Tibial Trial Size 3 Right | 1 | C |
| 7143-0183 | GENESIS II Stemless Tibial Trial Size 4 Right | 1 | D |
| 7143-0408 | GENESIS II PS High Flexion Insert Trial Size 3-4 9mm | 1 | E |
| 7143-0409 | GENESIS II PS High Flexion Insert Trial Size 3-4 | 1 | F |
| 7143-0444 | GENESIS II CR Deep Flexion Insert Trial Size 3-4 9mm | 1 | G |
| 7143-0445 | GENESIS II CR Deep Flexion Insert Trial Size 3-4 11mm | 1 | H |
| 7143-0524 | GENESIS II Constrained Insert Trial Size 3-4 11mm | 1 | J |
| 7143-0766 | GENESIS II Dish Art Tr Size 3-4 9mm | 1 | K |
| 7143-0768 | GENESIS II Dish Art Tr Size 3-4 11mm | 1 | L |
| 7144-0473 | GENESIS II Constrained Insert Trial Size 3-4 9mm | 1 | M |
| 7144-9993 | GENESIS II Non-Porous Fin-Stem Punch Size 3-4 | 1 | N |
| 7403-3635 | Universal Insert Spacer Size 3-4 15mm | 1 | O |
| 7403-3634 | Universal Insert Spacer Size 3-4 13mm | 1 | P |
| 7403-3636 | Universal Insert Spacer Size 3-4 18mm | 1 | Q |
| 7401-0407 | Universal Standard Half Tray Lid | 1 | N/A |

LEGION^o Tibia Size 5-6 Tray

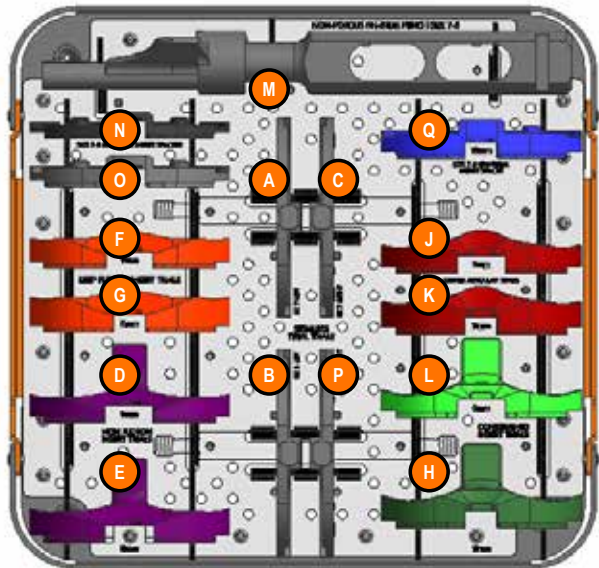
Tray #7143-0033



| Catalog Item | Description | Qty. | Ref. |
|--------------|---|------|------|
| 7143-0033 | LEGION Tibia Size 5-6 Tray | 1 | N/A |
| 7143-0169 | GENESIS ^o II Stemless Tibial Trial Size 5 Left | 1 | A |
| 7143-0171 | GENESIS II Stemless Tibial Trial Size 6 Left | 1 | B |
| 7143-0185 | GENESIS II Stemless Tibial Trial Size 5 Right | 1 | C |
| 7143-0187 | GENESIS II Stemless Tibial Trial Size 6 Right | 1 | D |
| 7143-0415 | GENESIS II PS High Flexion Insert Trial Size 5-6 9mm | 1 | E |
| 7143-0416 | GENESIS II PS High Flexion Insert Trial Size 5-6 11mm | 1 | F |
| 7143-0446 | GENESIS II CR Deep Flexion Insert Trial Size 5-6 9mm | 1 | G |
| 7143-0447 | GENESIS II CR Deep Flexion Insert Trial Size 5-6 11mm | 2 | H |
| 7143-0538 | GENESIS II Constrained Insert Trial Size 5-6 11mm | 1 | J |
| 7143-0778 | GENESIS II Dish Art Tr Size 5-6 9mm | 1 | K |
| 7143-0780 | GENESIS II Dish Art Tr Size 5-6 11mm | 1 | L |
| 7144-0475 | GENESIS II Spc Constrained Ins Trial Size 5-6 9mm | 1 | M |
| 7144-9995 | GENESIS II Non-Porous Fin-Stem Punch Size 5-6 | 1 | N |
| 7403-3655 | Universal Insert Spacer Size 5-6 15mm | 1 | O |
| 7403-3654 | Universal Insert Spacer Size 5-6 13mm | 1 | P |
| 7403-3656 | Universal Insert Spacer Size 5-6 18mm | 1 | Q |
| 7401-0407 | Universal Standard Half Tray Lid | 1 | N/A |

LEGION^o Tibia Size 7-8 Tray

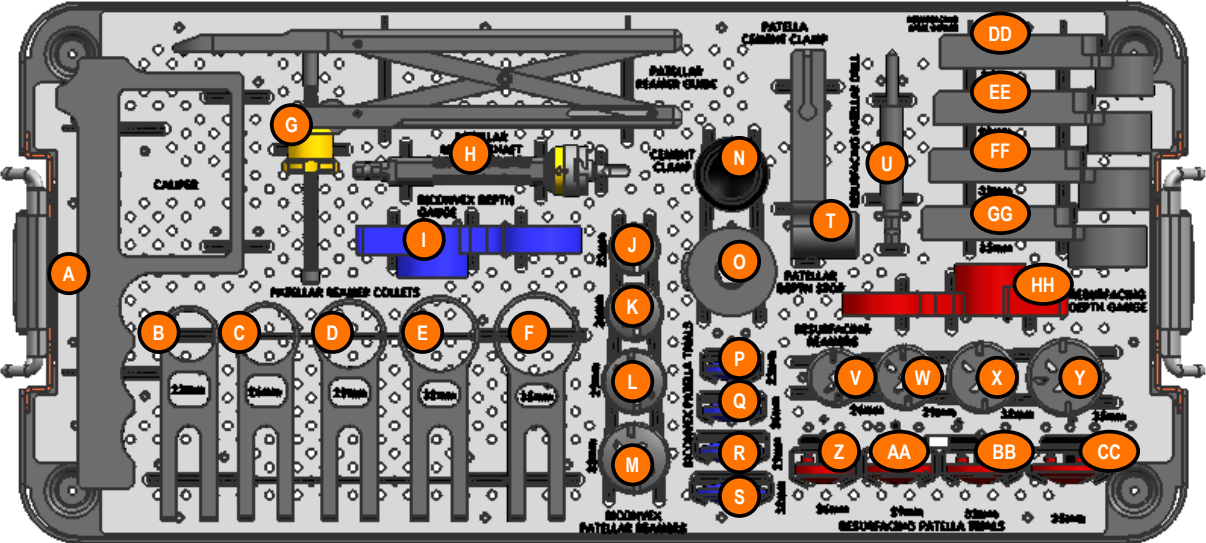
Tray #7143-0034



| Catalog Item | Description | Qty. | Ref. |
|--------------|---|------|------|
| 7143-0034 | LEGION Tibia Size 7-8 Tray | 1 | N/A |
| 7143-0173 | GENESIS ^o II Stemless Tibial Trial Size 7 Left | 1 | A |
| 7143-0175 | GENESIS II Stemless Tibial Trial Size 8 Left | 1 | B |
| 7143-0191 | GENESIS II Stemless Tibial Trial Size 8 Right | 1 | C |
| 7143-0422 | GENESIS II Ps High Flexion Insert Trial Size 7-8 9mm | 1 | D |
| 7143-0423 | GENESIS II Ps High Flexion Insert Trial Size 7-8 11mm | 1 | E |
| 7143-0448 | GENESIS II Cr Deep Flexion Insert Trial Size 7-8 9mm | 1 | F |
| 7143-0449 | GENESIS II Cr Deep Flexion Insert Trial Size 7-8 11mm | 1 | G |
| 7143-0552 | GENESIS II Constrained Insert Trial Size 7-8 11mm | 1 | H |
| 7143-0789 | GENESIS II Dish Art Tr Size 7-8 9mm | 1 | J |
| 7143-0791 | GENESIS II Dish Art Tr Size 7-8 11mm | 1 | K |
| 7144-0477 | GENESIS II Spc Constrained Ins Trial Size 7-8 9mm | 1 | L |
| 7144-9997 | GENESIS II Non-Porous Fin-Stem Punch Size 7-8 | 1 | M |
| 7403-3674 | Universal Insert Spacer Size 7-8 13mm | 1 | N |
| 7403-3675 | Universal Insert Spacer Size 7-8 15mm | 1 | O |
| 7143-0189 | GENESIS II Stemless Tibial Trial Size 7 Right | 1 | P |
| 7403-3676 | Universal Insert Spacer Size 7-8 18mm | 1 | Q |
| 7401-0407 | Universal Standard Half Tray Lid | 1 | N/A |

LEGION^o Patella Prep Tray

Tray #7143-3131



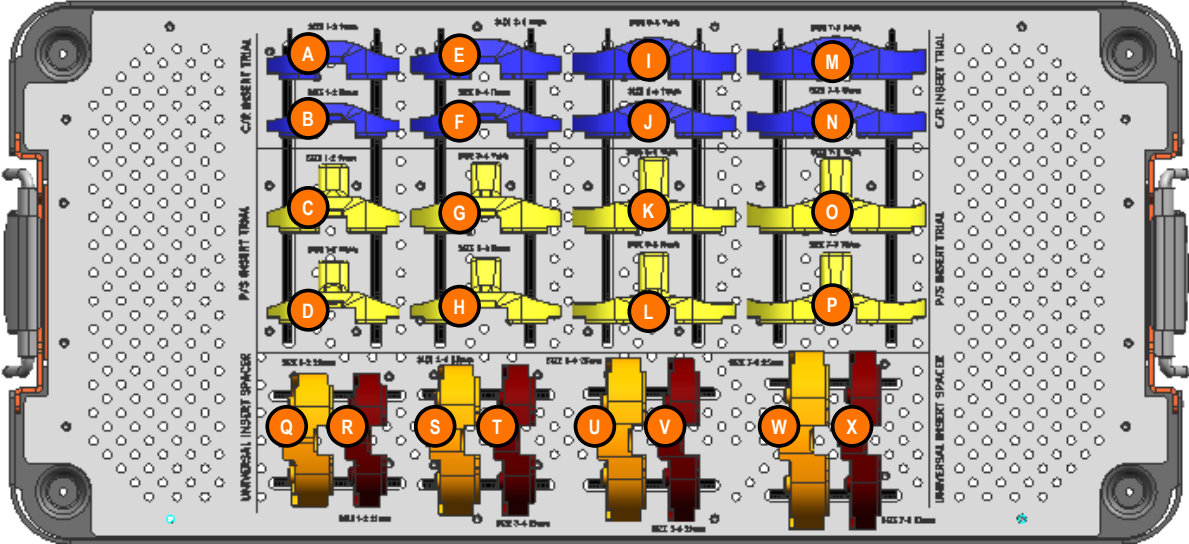
7144-3131 LEGION® Patella Prep Tray

| Catalog Item | Description | Qty. | Ref. |
|--------------|---|------|------|
| 114943 | GENESIS® Caliper | 1 | A |
| 7143-0566 | GENESIS II Biconvex Pat Tr 23mm | 1 | P |
| 7143-0568 | GENESIS II Biconvex Pat Trial 26mm | 1 | Q |
| 7143-0570 | GENESIS II Biconvex Pat Trial 29mm | 1 | R |
| 7143-0572 | GENESIS II Biconvex Pat Trial 32mm | 1 | S |
| 7143-0574 | GENESIS II Resurf Pat Trial 29mm | 1 | AA |
| 7143-0576 | GENESIS II Resurf Pat Trial 32mm | 1 | BB |
| 7143-0578 | GENESIS II Resurf Pat Trial 35mm | 1 | CC |
| 7143-0580 | GENESIS II 26mm Resurf Pat Trial | 1 | Z |
| 7144-0311 | GENESIS II Modified Patellar Reamer Guide | 1 | G |
| 7144-0322 | GENESIS II Patellar Cement Clamp | 1 | T |
| 7144-0324 | GENESIS II Patellar Reamer Shaft | 1 | H |
| 7144-0326 | GENESIS II Patellar Depth Stop | 1 | O |
| 7144-0328 | GENESIS II Biconvex Depth Gauge | 1 | I |
| 7144-0330 | GENESIS II Resurf Depth Gauge | 1 | HH |
| 7144-0342 | GENESIS II 29mm Resurfing Reamer | 1 | W |
| 7144-0344 | GENESIS II 32mm Resurface Reamer | 1 | X |
| 7144-0346 | GENESIS II 35mm Resurface Reamer | 1 | Y |
| 7144-0348 | GENESIS II 26mm Resurf Pat Ream | 1 | V |
| 7144-0360 | GENESIS II Resurfacing Pat Drill | 1 | U |

| Catalog | Description | Qty. | Ref. |
|-----------|--|------|------|
| 7144-0402 | GENESIS II Mod Resurfacing Patellar Drill Guide 26mm | 1 | DD |
| 7144-0403 | GENESIS II Mod Resurfacing Patellar Drill Guide 29mm | 1 | EE |
| 7144-0404 | GENESIS II Mod Resurfacing Patellar Drill Guide 32mm | 1 | FF |
| 7144-0405 | GENESIS II Mod Resurfacing Patellar Drill Guide 35mm | 1 | GG |
| 7144-0474 | GENESIS II Patella Cement Clamp Sleeve | 1 | N |
| 7144-0510 | GENESIS II Serrated Patellar Reamer Collet 23mm | 1 | B |
| 7144-0512 | GENESIS II Serrated Patellar Reamer Collet 26mm | 1 | C |
| 7144-0514 | GENESIS II Serrated Patellar Reamer Collet 29mm | 1 | D |
| 7144-0516 | GENESIS II Serrated Patellar Reamer Collet 32mm | 1 | E |
| 7144-0518 | GENESIS II Serrated Patellar Reamer Collet 35mm | 1 | F |
| 7144-0634 | GENESIS II Modified Biconvex Patellar Reamer | 1 | J |
| 7144-0636 | GENESIS II Modified Biconvex Patellar Reamer | 1 | K |
| 7144-0638 | GENESIS II Modified Biconvex Patellar Reamer | 1 | L |
| 7144-0640 | GENESIS II Modified Biconvex Patellar Reamer | 1 | M |
| 7144-3131 | LEGION Patella Prep Tray | 1 | N/A |

LEGION[®] Optional Insert Tray

Tray #7143-0031

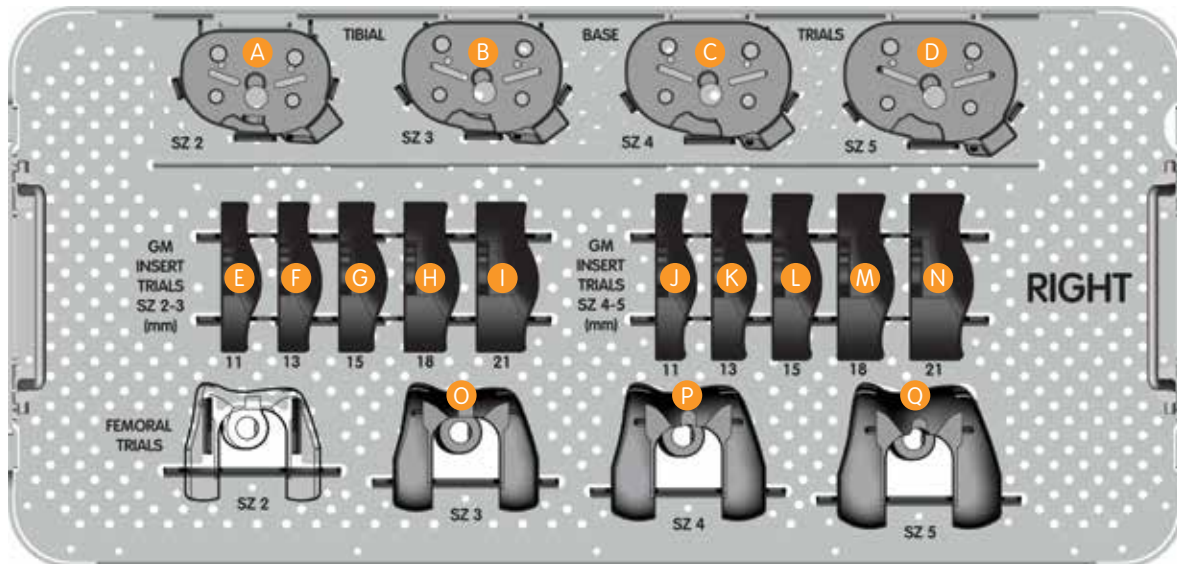


71430-031 LEGION® Optional Insert Tray

| Catalog Item | Description | Qty | Ref. |
|--------------|--|-----|------|
| 7143-0031 | LEGION Optional Insert Tray | 1 | N/A |
| 7143-0490 | GENESIS® li C/R Art Tr Size 3-4 9mm | 1 | E |
| 7143-0492 | GENESIS II C/R Art Tr Size 3-4 11mm | 1 | F |
| 7143-0510 | GENESIS II C/R Art Tr Size 7-8 9mm | 1 | M |
| 7143-0512 | GENESIS II C/R Art Tr Size 7-8 11mm | 1 | N |
| 7143-0880 | GENESIS II C/R Articular Trial Size 1-2 9mm | 1 | A |
| 7143-0882 | GENESIS II C/R Articular Trial Size 1-2 11mm | 1 | B |
| 7143-0815 | GENESIS II P/S Art Tr Size 3-4 9mm | 1 | G |
| 7143-0817 | GENESIS II P/S Art Tr Size 3-4 11mm | 1 | H |
| 7143-0829 | GENESIS II P/S Art Tr Size 5-6 9mm | 1 | K |
| 7143-0831 | GENESIS II P/S Art Tr Size 5-6 11mm | 1 | L |
| 7143-0844 | GENESIS II P/S Art Tr Size 7-8 9mm | 1 | O |
| 7143-0846 | GENESIS II P/S Art Tr Size 7-8 11mm | 1 | P |
| 7143-0901 | GENESIS II Post Stab Articular Trial Size 1-2 9mm | 1 | C |
| 7143-0903 | GENESIS II Post Stab Articular Trial Size 1-2 11mm | 1 | D |
| 7403-3617 | Universal Insert Spacer Size 1-2 21mm | 1 | R |
| 7403-3637 | Universal Insert Spacer Size 3-4 21mm | 1 | T |

| Catalog Item | Description | Qty. | Ref. |
|---------------------------------|---------------------------------------|------|------|
| 7403-3657 | Universal Insert Spacer Size 5-6 21mm | 1 | V |
| 7403-3677 | Universal Insert Spacer Size 7-8 21mm | 1 | X |
| 7143-0502 | GENESIS II C/R Art Tr Size 5-6 11mm | 1 | J |
| 7143-0500 | GENESIS II C/R Art Tr Size 5-6 9mm | 1 | I |
| Not part of standard set | | | |
| | Universal Insert Spacer Size 1-2 25mm | 0 | Q |
| | Universal Insert Spacer Size 3-4 25mm | 0 | S |
| | Universal Insert Spacer Size 5-6 25mm | 0 | U |
| | Universal Insert Spacer Size 7-8 25mm | 0 | W |

Tray #7143-4521 Trials Tray Right – Total Case Weight 15.56 lbs – Tray Only Weight 9.87 lbs

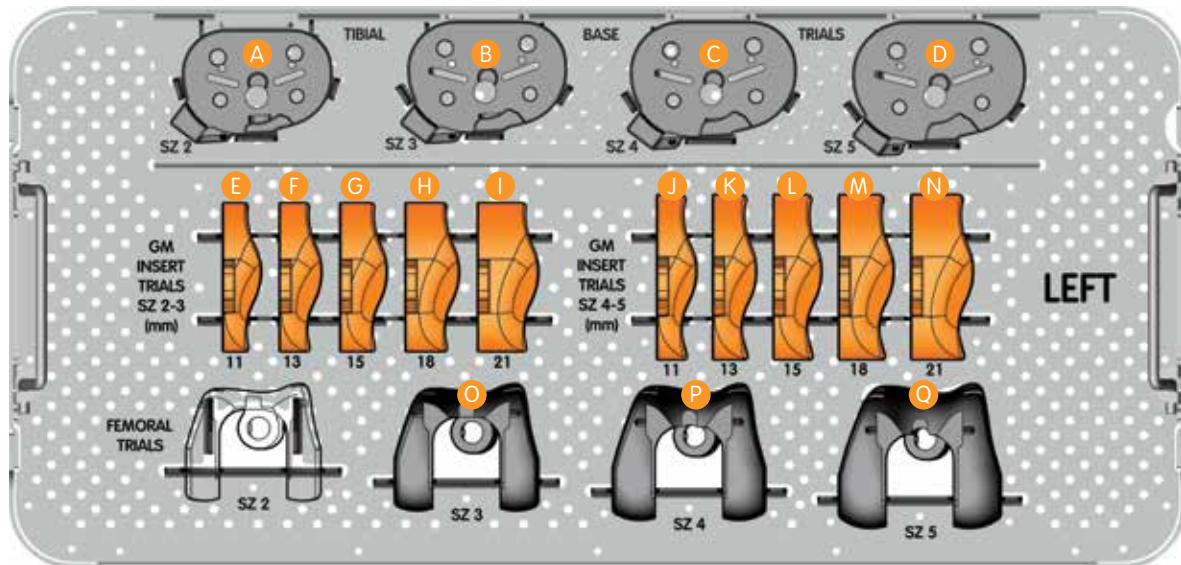


LEGION[◇] HK

Tray #7143-4521 Trials Tray Right

| Catalog item | Description | Qty. | Ref. |
|--------------|--|------|------|
| 7143-4185 | LEGION Hinge Tibial Base Trial Size 2 Right | 1 | A |
| 7143-4187 | LEGION Hinge Tibial Base Trial Size 3 Right | 1 | B |
| 7143-4189 | LEGION Hinge Tibial Base Trial Size 4 Right | 1 | C |
| 7143-4192 | LEGION Hinge Tibial Base Trial Size 5 Right | 1 | D |
| 7143-4531 | LEGION Hinge Guided Motion Tibial Insert Trial 11mm Size 2-3 Right | 1 | E |
| 7143-4533 | LEGION Hinge Guided Motion Tibial Insert Trial 13mm Size 2-3 Right | 1 | F |
| 7143-4535 | LEGION Hinge Guided Motion Tibial Insert Trial 15mm Size 2-3 Right | 1 | G |
| 7143-4537 | LEGION Hinge Guided Motion Tibial Insert Trial 18mm Size 2-3 Right | 1 | H |
| 7143-4539 | LEGION Hinge Guided Motion Tibial Insert Trial 21mm Size 2-3 Right | 1 | I |
| 7143-4542 | LEGION Hinge Guided Motion Tibial Insert Trial 11mm Size 4-5 Right | 1 | J |
| 7143-4544 | LEGION Hinge Guided Motion Tibial Insert Trial 13mm Size 4-5 Right | 1 | K |
| 7143-4546 | LEGION Hinge Guided Motion Tibial Insert Trial 15mm Size 4-5 Right | 1 | L |
| 7143-4548 | LEGION Hinge Guided Motion Tibial Insert Trial 18mm Size 4-5 Right | 1 | M |
| 7143-4551 | LEGION Hinge Guided Motion Tibial Insert Trial 21mm Size 4-5 Right | 1 | N |
| 7143-4169 | LEGION Hinge Femoral Trial Size 3 Right | 1 | O |
| 7143-4172 | LEGION Hinge Femoral Trial Size 4 Right | 1 | P |
| 7143-4174 | LEGION Hinge Femoral Trial Size 5 Right | 1 | Q |

Tray #7143-4522 Trials Tray Left – Total Case Weight 15.56 lbs – Tray Only Weight 9.87 lbs

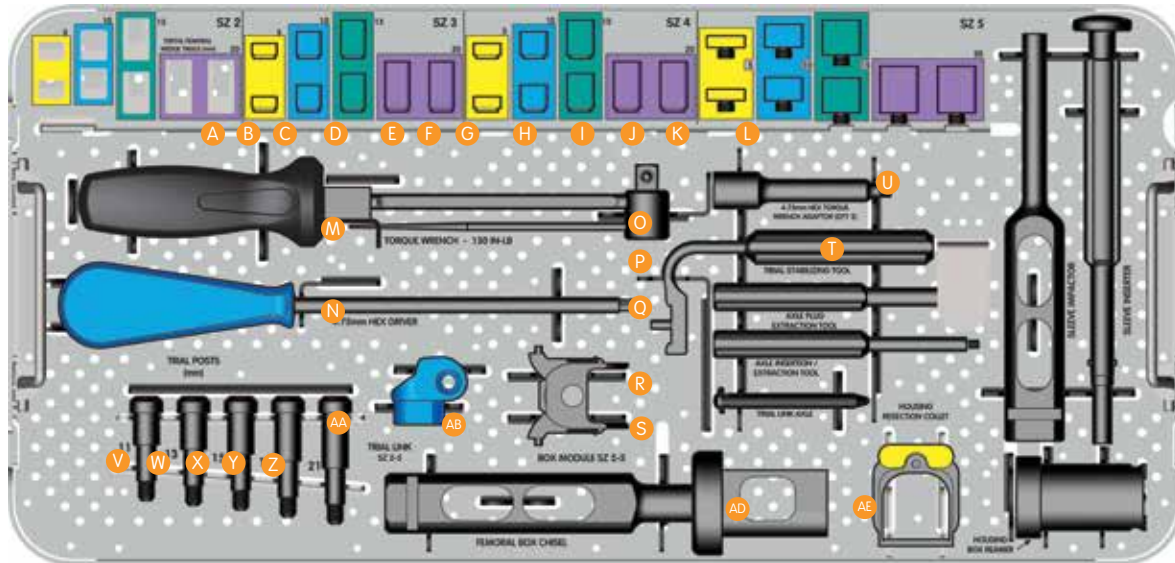


LEGION[◇] HK

Tray #7143-4522 Trials Tray Left

| Catalog item | Description | Qty. | Ref. |
|--------------|---|------|------|
| 7143-4184 | LEGION Hinge Tibial Base Trial Size 2 Left | 1 | A |
| 7143-4186 | LEGION Hinge Tibial Base Trial Size 3 Left | 1 | B |
| 7143-4188 | LEGION Hinge Tibial Base Trial Size 4 Left | 1 | C |
| 7143-4191 | LEGION Hinge Tibial Base Trial Size 5 Left | 1 | D |
| 7143-4532 | LEGION Hinge Guided Motion Tibial Insert Trial 11mm Size 2-3 Left | 1 | E |
| 7143-4534 | LEGION Hinge Guided Motion Tibial Insert Trial 13mm Size 2-3 Left | 1 | F |
| 7143-4536 | LEGION Hinge Guided Motion Tibial Insert Trial 15mm Size 2-3 Left | 1 | G |
| 7143-4538 | LEGION Hinge Guided Motion Tibial Insert Trial 18mm Size 2-3 Left | 1 | H |
| 7143-4541 | LEGION Hinge Guided Motion Tibial Insert Trial 21mm Size 2-3 Left | 1 | I |
| 7143-4543 | LEGION Hinge Guided Motion Tibial Insert Trial 11mm Size 4-5 Left | 1 | J |
| 7143-4545 | LEGION Hinge Guided Motion Tibial Insert Trial 13mm Size 4-5 Left | 1 | K |
| 7143-4547 | LEGION Hinge Guided Motion Tibial Insert Trial 15mm Size 4-5 Left | 1 | L |
| 7143-4549 | LEGION Hinge Guided Motion Tibial Insert Trial 18mm Size 4-5 Left | 1 | M |
| 7143-4552 | LEGION Hinge Guided Motion Tibial Insert Trial 21mm Size 4-5 Left | 1 | N |
| 7143-4168 | LEGION Hinge Femoral Trial Size 3 Left | 1 | O |
| 7143-4171 | LEGION Hinge Femoral Trial Size 4 Left | 1 | P |
| 7143-4173 | LEGION Hinge Femoral Trial Size 5 Left | 1 | Q |

Tray #7143-4523 Miscellaneous Instrument Tray – Total Case Weight 18.67 lbs – Tray Only Weight 12.98 lbs



LEGION[◇] HK

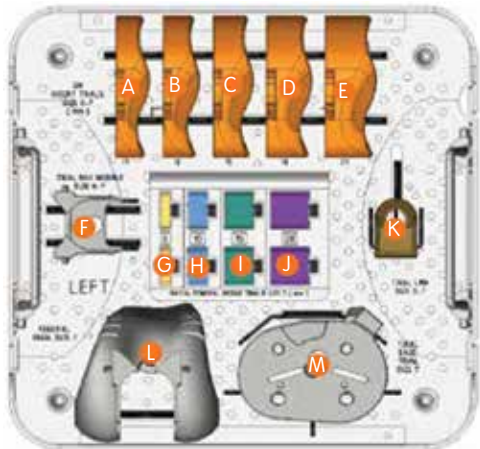
7143-4523 Miscellaneous Instrument Tray

| Catalog | Description | Qty. | Ref. |
|-----------|--|------|------|
| 7143-4229 | LEGION Hinge Distal Femoral Wedge Trial Size 3, 5mm | 2 | A |
| 7143-4274 | LEGION Hinge Distal Femoral Wedge Trial Size 3, 10mm | 2 | B |
| 7143-4275 | LEGION Hinge Distal Femoral Wedge Trial Size 3, 15mm | 2 | C |
| 7143-4222 | LEGION Hinge Distal Femoral Wedge Trial Size 3, 20mm | 2 | D |
| 7143-4276 | LEGION Hinge Distal Femoral Wedge Trial Size 4, 5mm | 2 | E |
| 7143-4277 | LEGION Hinge Distal Femoral Wedge Trial Size 4, 10mm | 2 | F |
| 7143-4278 | LEGION Hinge Distal Femoral Wedge Trial Size 4, 15mm | 2 | G |
| 7143-4223 | LEGION Hinge Distal Femoral Wedge Trial Size 4, 20mm | 2 | H |
| 7143-4279 | LEGION Hinge Distal Femoral Wedge Trial Size 5, 5mm | 2 | I |
| 7143-4281 | LEGION Hinge Distal Femoral Wedge Trial Size 5, 10mm | 2 | J |
| 7143-4282 | LEGION Hinge Distal Femoral Wedge Trial Size 5, 15mm | 2 | K |
| 7143-4224 | LEGION Hinge Distal Femoral Wedge Trial Size 5, 20mm | 2 | L |
| 7143-4464 | LEGION Hinge Torque Wrench | 1 | M |
| 7143-4486 | LEGION HK 4.75mm Hex Driver | 1 | N |
| 7143-4487 | LEGION HK 4.75mm Hex Torque Wrench Adaptor | 1 | O |

| Catalog | Description | Qty. | Ref. |
|-----------|---|------|------|
| 7143-4465 | LEGION Hinge Tibial Stabilizing Tool | 1 | P |
| 7143-4394 | LEGION Hinge Axle Plug Extraction Tool | 1 | Q |
| 7143-4393 | LEGION Hinge Axle Insertion/Extraction Tool | 1 | R |
| 7143-4463 | LEGION Hinge Trial Link Axle | 1 | S |
| 7143-4496 | LEGION Hinge Sleeve Impactor | 1 | T |
| 7143-4495 | LEGION Hinge Sleeve Inserter | 1 | U |
| 7143-4395 | LEGION Hinge 11mm Trial Post | 1 | V |
| 7143-4396 | LEGION Hinge 13mm Trial Post | 1 | W |
| 7143-4397 | LEGION Hinge 15mm Trial Post | 1 | X |
| 7143-4398 | LEGION Hinge 18mm Trial Post | 1 | Y |
| 7143-4399 | LEGION Hinge 21mm Trial Post | 1 | Z |
| 7143-4462 | LEGION Hinge Trial Link Size 2-5 | 1 | AA |
| 7143-4457 | LEGION Hinge Trial Box Module Size 2-5 | 1 | AB |
| 7143-4468 | LEGION Hinge Femoral Box Chisel | 1 | AC |
| 7143-4466 | LEGION Hinge Housing Resection Collet | 1 | AD |
| 7143-4467 | LEGION Hinge Housing Box Reamer | 1 | AE |

LEGION[◇] HK

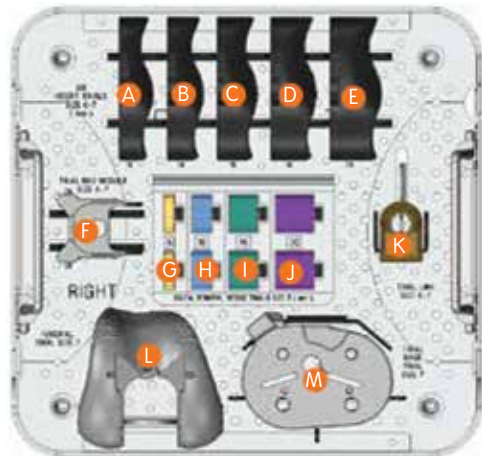
**7144-1592 Size 7 Left Tray – Total Case Weight 10.97 lbs – Tray Only Weight 5.28 lbs
Loaded Weight Combined with 7144-1591 In An Outer 16.25 lbs**



| Catalog | Description | Qty. | Ref. |
|-----------|---|------|------|
| 7143-4554 | LEGION Hinge Guided Motion Tibial Insert Trial 11mm Size 6-7 Left | 1 | A |
| 7143-4556 | LEGION Hinge Guided Motion Tibial Insert Trial 13mm Size 6-7 Left | 1 | B |
| 7143-4558 | LEGION Hinge Guided Motion Tibial Insert Trial 15mm Size 6-7 Left | 1 | C |
| 7143-4561 | LEGION Hinge Guided Motion Tibial Insert Trial 18mm Size 6-7 Left | 1 | D |
| 7143-4563 | LEGION Hinge Guided Motion Tibial Insert Trial 21mm Size 6-7 Left | 1 | E |
| 7143-4458 | LEGION Hinge Trial Box Module Size 6-7 | 1 | F |
| 7143-4286 | LEGION Hinge Distal Femoral Wedge Trial Size 7 5mm | 2 | G |
| 7143-4287 | LEGION Hinge Distal Femoral Wedge Trial Size 7 10mm | 2 | H |
| 7143-4288 | LEGION Hinge Distal Femoral Wedge Trial Size 7 15mm | 2 | I |
| 7143-4226 | LEGION Hinge Distal Femoral Wedge Trial Size 7 20mm | 2 | J |
| 7143-4497 | LEGION Hinge Trial Link Size 6-7 | 1 | K |
| 7143-4177 | LEGION Hinge Femoral Trial Size 7 Left | 1 | L |
| 7143-4195 | LEGION Hinge Tibial Base Trial Size 7 Left | 1 | M |

LEGION[◇] HK

7144-1591 Size 7 Right Tray – Total Case Weight 10.97 lbs – Tray Only Weight 5.28 lbs
 Loaded Weight Combined with 7144-1591 In An Outer 16.25 lbs



| Catalog | Description | Qty. | Ref. |
|-----------|--|------|------|
| 7143-4553 | LEGION Hinge Guided Motion Tibial Insert Trial 11mm Size 6-7 Right | 1 | A |
| 7143-4555 | LEGION Hinge Guided Motion Tibial Insert Trial 13mm Size 6-7 Right | 1 | B |
| 7143-4557 | LEGION Hinge Guided Motion Tibial Insert Trial 15mm Size 6-7 Right | 1 | C |
| 7143-4559 | LEGION Hinge Guided Motion Tibial Insert Trial 18mm Size 6-7 Right | 1 | D |
| 7143-4562 | LEGION Hinge Guided Motion Tibial Insert Trial 21mm Size 6-7 Right | 1 | E |
| 7143-4458 | LEGION Hinge Trial Box Module Size 6-7 | 1 | F |
| 7143-4286 | LEGION Hinge Distal Femoral Wedge Trial Size 7 5mm | 2 | G |
| 7143-4287 | LEGION Hinge Distal Femoral Wedge Trial Size 7 10mm | 2 | H |
| 7143-4288 | LEGION Hinge Distal Femoral Wedge Trial Size 7 15mm | 2 | I |
| 7143-4226 | LEGION Hinge Distal Femoral Wedge Trial Size 7 20mm | 2 | J |
| 7143-4497 | LEGION Hinge Trial Link Size 6-7 | 1 | K |
| 7143-4177 | LEGION Hinge Femoral Trial Size 7 Left | 1 | L |
| 7143-4195 | LEGION Hinge Tibial Base Trial Size 7 Left | 1 | M |

Flexibility
Durability
Clinical heritage

The Power of Simplicity

Smith & Nephew, Inc.

1450 Brooks Road
Memphis, TN 38116
USA

Telephone: 1-901-396-2121
Information: 1-800-821-5700
Orders/inquiries: 1-800-238-7538

www.legionpower.com



°Trademark of Smith & Nephew. Reg. US Pat. & TM Off.

02861 V1 02/15