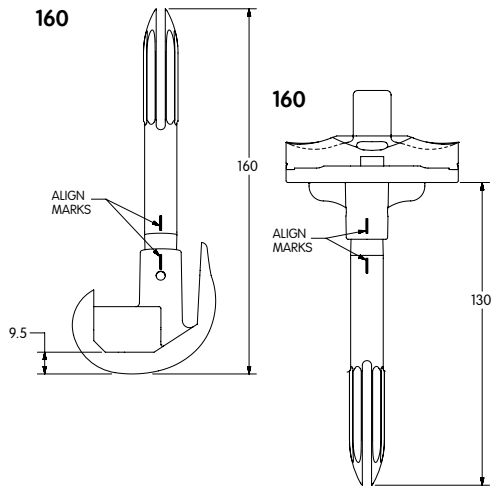


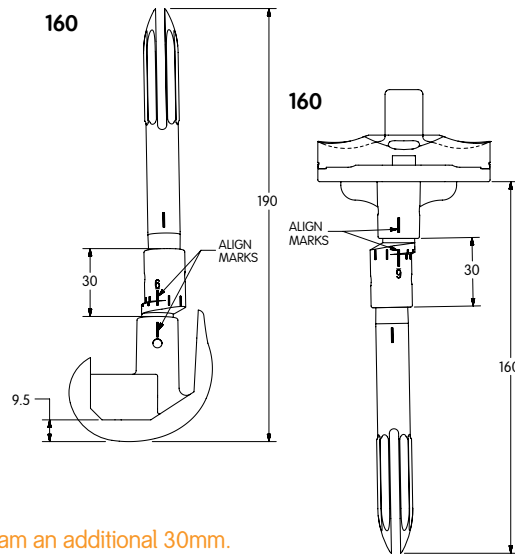
Femur	Hand	Size		Stem Diameter	Stem Length	Stem Offset	Offset Direction	Wedge Augments			Cone Size	
								Distal	Medial	Lateral		
								Posterior				
Tibia		Size	Insert Thickness					Full	Medial	Lateral	Size	Length

## LEGION Stem Configurations

Without Offset Coupler



With Offset Coupler



**General Rule:** If using a femoral offset coupler, ream an additional 30mm.  
 For all others, ream to depth mark on reamer.

## LEGION Cone Configurations

**Minimum Cone Size Necessary –**  
 18 + offset (unless noted in table below)

Max Offset	Tibial Stem Size exception		
	20mm	22mm	24mm
0	20mm	22mm	24mm
2mm	22mm	24mm	26mm
4mm	24mm	26mm	28mm
6mm	26mm	28mm	30mm

Minimum Cone Size

## Articular Insert Configurations

Insert Size	Femoral Component Size							
	2	3	4	5	6	7	8	
1-2 PS/Con	●	●						
1-2 PS HF	●	●	●					
3-4 PS/Con	●	●	●	●				
3-4 PS HF	●	●	●	●	●			
5-6 PS/Con			●	●	●	●		
5-6 PS HF			●	●	●	●	●	
7-8 PS/Con					●	●	●	
7-8 PS HF					●	●	●	

PS = GENESIS<sup>®</sup> II PS  
 PS HF = GENESIS II High Flex PS  
 Con = GENESIS II / LEGION Constrained