

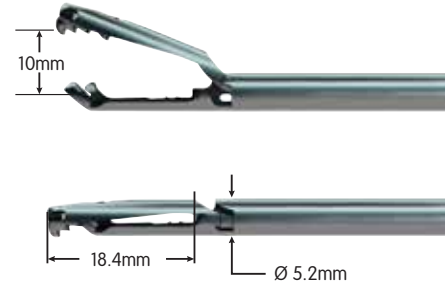
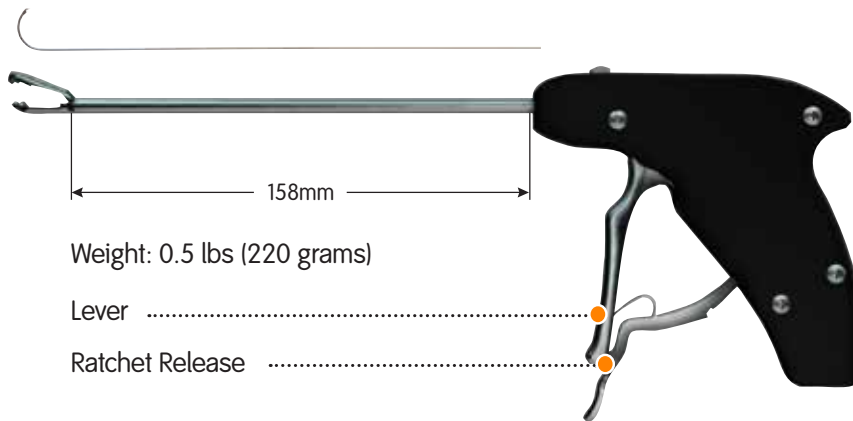


Designed for consistent and secure suture passing

 **smith&nephew**
FIRSTPASS [®]
Suture Passer



FIRSTPASS[◇] Suture Passer



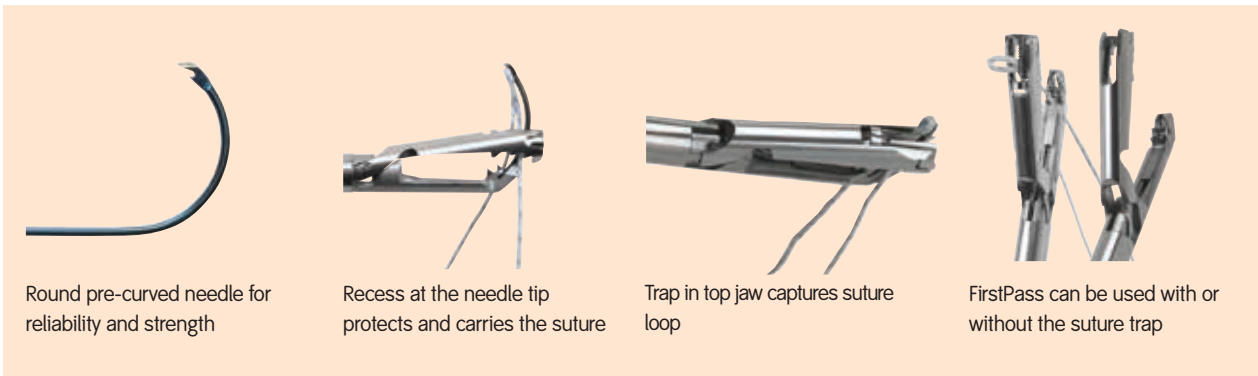
Key features

Pass and retrieve suture simultaneously

- Optional trap eliminates suture shuttling step
- Round, pre-curved nitinol needle provides added strength and reliable targeting
- Suture is carried in a recess on the needle which helps maintain suture integrity

Deep bite

- Jaw opens up to 10mm and has an 18mm bite depth



Ordering information

FIRSTPASS Suture Passer

Reference #	Description
22-4035	FIRSTPASS SUTURE PASSER
22-4036	FIRSTPASS NEEDLE AND SUTURE CAPTURE, 5 PER BOX

ArthroCare Corporation
 7000 West William Cannon Drive
 Austin, TX 78735
 USA

www.smith-nephew.com
 Order Entry: 1-800-343-5717
 Order Entry Fax: 1-888-994-2782