

Disassembly, cleaning and sterilization instruction

Extractor PE-Insert for POLARCUP[◇]
SAP/Art. No. 75017083/21000499

This disassembly, cleaning and sterilization instruction is designed to supplement the existing instruction "Processing (cleaning, disinfection and sterilization) of instruments" Lit. No. 03389. Follow the steps within this document and follow additionally the instructions in Lit. No. 03389 where referenced.

Key

1. Rod
2. Clip
3. Insert adapter

Disassembly

The following applies in addition to or in place of the instruction:

- Remove the clip (2) from the rod (1)
- Remove the insert adapter (3) from the base of the rod (1), the O-ring remains in position on the insert adapter (3)

Pre-cleaning

In accordance with the instruction "Processing (cleaning, disinfection and sterilization) of instruments"
Lit. No. 03389.

The following applies in addition to or in place of the instruction:

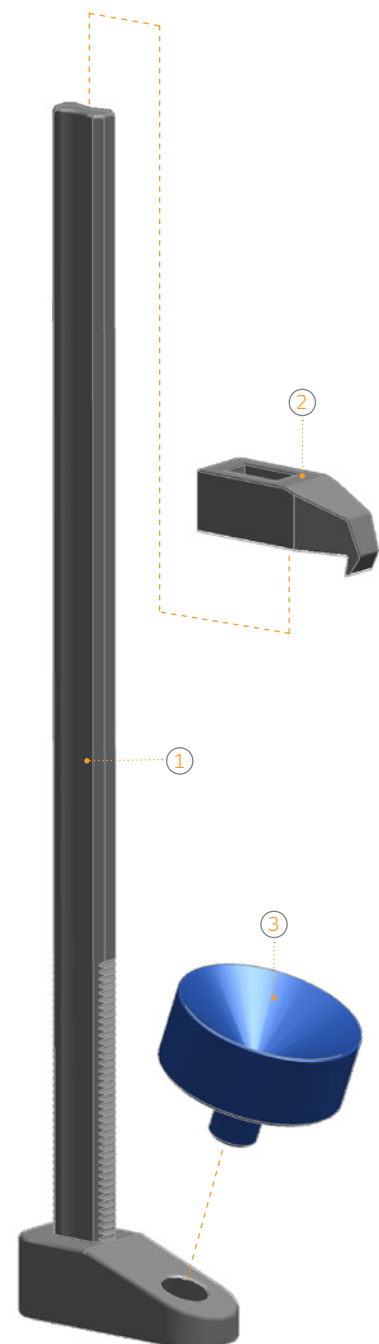
- All cavities and teeth should be pre-cleaned manually
- Manually pre-clean the groove thoroughly with the O-ring on the insert adapter (3)

Machine cleaning and disinfection

In accordance with the instruction "Processing (cleaning, disinfection and sterilization) of instruments"
Lit. No. 03389.

The following applies in addition to or in place of the instruction:

- Please take special care to ensure that any cavities can be properly rinsed



Drying

In accordance with the instruction “Processing (cleaning, disinfection and sterilization) of instruments”

Lit. No. 03389.

The following applies in addition to or in place of the instruction:

- The cavities and the groove with the O-ring on the insert adapter (3) can also be dried with pressurised air

Inspection and maintenance

In accordance with the instruction “Processing (cleaning, disinfection and sterilization) of instruments”

Lit. No. 03389.

The following applies in addition to or in place of the instruction:

- Check the teeth and the O-ring on the insert adapter (3) for damage and faults

Sterilization

In accordance with the instruction “Processing (cleaning, disinfection and sterilization) of instruments” Lit. No. 03389.

The following applies in addition to or in place of the instruction:

Device has to be sterilized disassembled

Assembly

The following applies in addition to or in place of the instruction:

- Assembly is in reverse to disassembly
- The clips (2) should be fitted so that the nose faces towards the insert adapter (3) (in accordance with the picture)
- The insert adapter (3) should be pressed into the base of the rod (1) until it engages

